



extreme environment lighting

Caprera

SKU: 101040

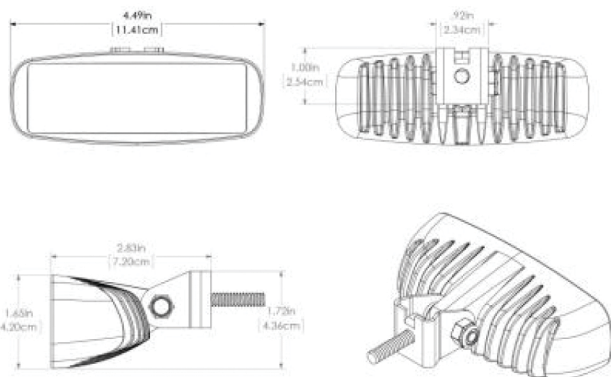
Color Output: White Dimming

Finish: White



Lumitec's Caprera Flood light is standard equipment on more top tier boats than any other LED flood light. Why? Quality, Performance, and Value. Utilizing Lumitec's proprietary light engine technology, it is a perfect replacement for 55W Halogens. Small in size (40% smaller than comparable lights) low power consumption (80% less current draw than a 55W Halogen) and completely sealed and IP 67 compliant. Powder coated die cast aluminum housing is salt-spray tested to 3,000 hrs. And as with all high powered Lumitec lights, completely designed and manufactured in the USA.

- Voltage: 10 - 30vDC
- 12vDC Amps: 900mA
- 24vDC Amps: 450mA
- Correlated Color Temperature: 6500
- Color Rendering Index: 70+
- Rated Watts: 12
- Lumens (White): 530
- Operating Temp (°C): -35 to +55 C
- Operating Temp (°F): -31 to + 131 F
- IP67 Compliant
- Certified Ignition Protected



Dimensions: 4.49in (11.41cm) (W) x 1.65in (4.20cm) (H) x 2.83in (7.20cm) (D)

www.lumiteclighting.com | Phone: (561) 272-9840 | info@lumiteclighting.com