

GUEST®



MODEL 22040, 22044

REMOTE CONTROL STAINLESS STEEL OR CHROME
SPOT/FLOOD LIGHT

INSTALLATION AND OPERATION
INSTRUCTIONS

IMPORTANT !

READ THESE INSTRUCTIONS BEFORE
INSTALLING AND USING THIS PRODUCT.

KEEP THESE INSTRUCTIONS FOR FUTURE REFERENCE.

Description

The Guest 22040 spot/floodlight uses a high-powered, dual focus sealed beam bulb. Its penetrating 72,000 candlepower beam can illuminate objects up to a 1/4 mile away, and its 30,000CP flood light is perfect for docking or picking up a mooring. Constructed of stainless steel or chromed brass, it will give years of service with no maintenance required. The model 22040 comes complete and ready to install, with an easy-to-use "joystick" remote control system and 10 feet of control cable.

This spot/floodlight can rotate 350° and move up and down through an 70° arc. A second control station can be installed by using an optional #22018A second station control kit, and an additional control cable. (See page 5 for ordering address/contact.)

<input checked="" type="checkbox"/>	#	Tools and additional materials required
		Electric drill with 1 1/2" hole saw bit
		5/8", 1/8" and 3/32" drill bits
		Phillips-head screwdriver
		Non-silicon sealant (StarBrite® Boat Caulk #83801 or equivalent)
	3	#10 x 3/4" SS phillips pan-head self-tapping screws (or #10 machine screws, lock washers and nuts.)
	2	# 8 x 3/4" SS pan head self-tapping screws
		1/2" cable clamps with screws (to fasten control cable to interior surfaces)

Installation

Mounting the spotlight:

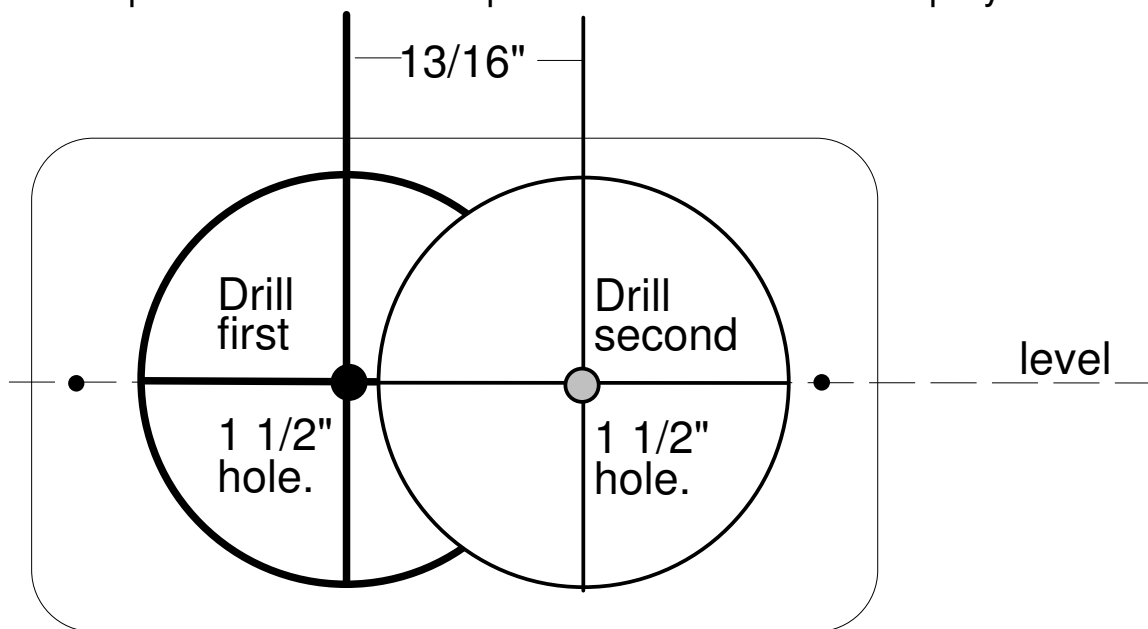
1. Select a flat, smooth surface on which to mount the spotlight. Be sure that you will have access to the underside of the chosen location, and that you can drill holes there without damaging existing wiring or structures. Avoid locations where lines, anchor, sails or other hazards might damage the light.

Note: Mounting the light as far forward as possible can help to reduce reflected glare when the light is in use.

2. Mark the locations of the three base mounting holes and center the wire harness hole onto the mounting surface with a pencil.
3. Drill 1/8" pilot holes into the mounting surface at the marked points.
4. Place the mounting gasket on the base of the spotlight, making sure that the harness exits through the center hole of the gasket.
5. Feed the wires from the base of the spotlight through the center hole in the mounting surface. A small amount of non silicone sealant can be applied to the pilot holes and around the wire harness where it penetrates the mounting surface.
6. Place the light on the mounting surface, and fasten the spotlight securely using three #10 self tapping Phillips pan-head screws. Do not over tighten the fasteners.

Mounting the Control Panel

1. Select a convenient mounting location for the control panel. Be sure you will have access to the area behind the location, and can drill holes there without damaging existing wiring or structures. Do not place the control where it could interfere with the safe operation of the vessel or vehicle. Avoid mounting the control panel on a surface exposed to the elements or spray.



Control panel mounting holes (Not to Scale)

2. Drill two 1/16" pilot holes for the hole saw at the locations shown on this template. Be sure they are level and spaced 13/16" apart.

CAUTION: Always wear eye protection when using power tools!

3. Next, use the hole saw to cut two 1 1/2" overlapping holes as shown above.

4. Feed all the wires through the center hole. Test fit the control panel into the hole. Use a file to enlarge the hole if necessary.

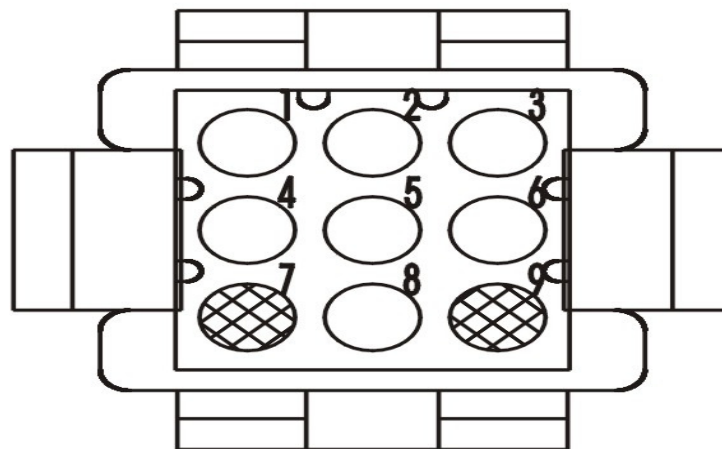
5. Use a pencil to mark the locations of the two small holes in the panel onto the mounting surface. Remove the control panel, then drill a 3/32" pilot hole at each of the marked locations.

6. Apply a small amount of sealant, (such as StarBrite® Boat Caulk #83801), to the back of the control panel face plate. Fit the control panel into the hole, and fasten the control panel onto the surface with two # 8 x 3/4" Phillips pan head self-tapping screws.

Installing the wiring harness

Find a path for the wire harness from the spotlight to the control panel. Avoid sharp edges and hot surfaces. Fasten the cable securely in place along its' length using 1/2" insulated cable clamps. **Note:** To make it easier to install the wire harness through railings or conduits, do not attach the male plug connector to the spotlight's 7-wire harness until *after* the harness is secured in place.

PLACEMENT OF LIGHT CABLE WIRES INTO CONNECTOR



- 1. BLACK WIRE
- 2. GREY WIRE
- 3. ORANGE
- 4. YELLOW WIRE
- 5. BROWN

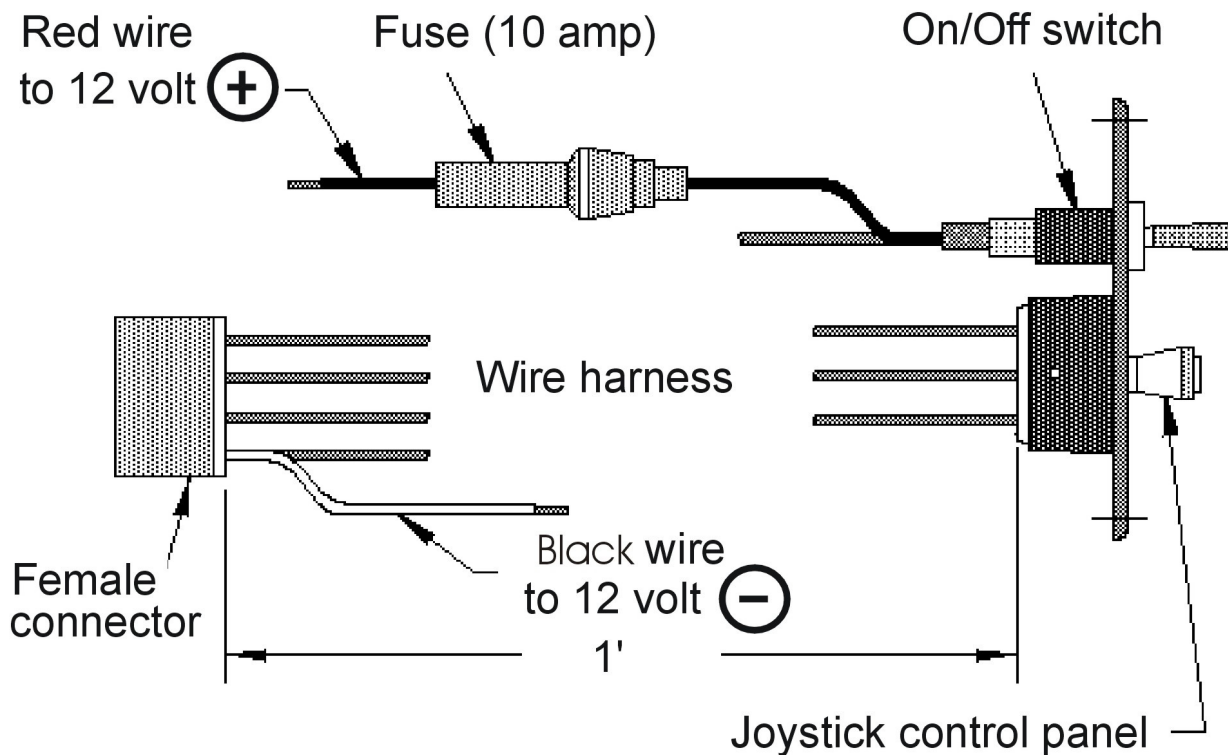
- 6. GREEN WIRE
- 7. EMPTY
- 8. BLUE WIRE
- 9. EMPTY

Electrical Connections

This spotlight requires a source of 12 volt DC power that is capable of carrying up to 10 amps of current. For best results, run two new wires from the red (+) positive and black (-) negative power wires of the control panel directly to the main 12 volt DC accessory panel.

Install the brown, plastic male plug connector onto the 7-wire harness by pushing each wire's brass connector into one of the 9 openings in the back of the plastic male connector. You will hear a "click" as each brass connector locks into place.

Complete the wiring connections as shown here:



Specifications	
Dimensions	4 1/2"W 9 1/2"H x 7 1/2"D
Operating voltage	12-14 volts DC
Current consumption (bulb)	7.5 amps

LIMITED WARRANTY

For one (1) year from the date of original purchase, The Guest Co. will, at its discretion, repair or replace for the original consumer, free of charge, any parts found defective in material or workmanship. All transportation charges under this warranty must be borne by the consumer.

Proof of purchase is required. A computerized register receipt is required. Handwritten receipts are not accepted for warranty proof of purchase. In the absence of a receipt, warranty period will be calculated from date of manufacture printed or stamped on the product.

THERE IS NO OTHER EXPRESSED WARRANTY. IMPLIED WARRANTIES, INCLUDING THOSE OF MERCHANT-ABILITY AND FITNESS FOR A PARTICULAR PURPOSE, ARE LIMITED TO ONE YEAR FROM THE DATE OF PURCHASE. THIS IS THE EXCLUSIVE REMEDY AND CONSEQUENTIAL DAMAGES ARE EXCLUDED WHERE PERMITTED BY LAW.

CUSTOMER SERVICE

If you, our customer, have any questions concerning Guest products, parts or warranties, please contact our Service Department Monday through Friday between 11:00 AM and 7:00 PM Eastern Time.

Tel:(707) 226-9600
Email: info@marinco.com email

Fax:(707) 226-9670
Website: www.marinco.com
