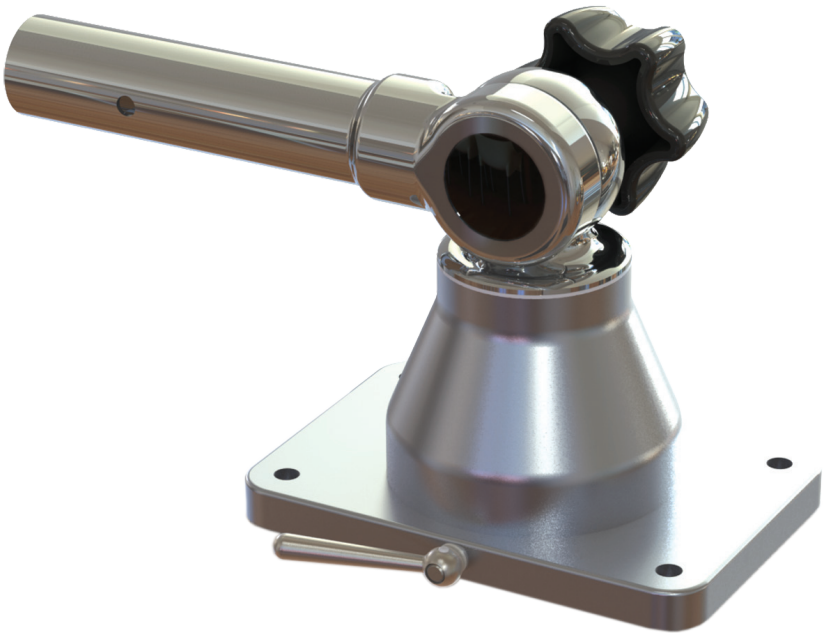


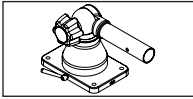


# **Grand Slam 170 Installation Instructions**

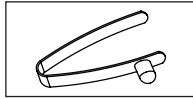


TACO Metals Inc., [info@TACOMETALS.com](mailto:info@TACOMETALS.com)  
[TACOMETALS.com](http://TACOMETALS.com)

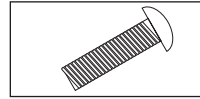
## Contents



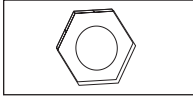
2 - GS-170 Mounts (A)



2 - Locking Clips (B)



8 - 5/16 x 18 x 1 Bolt (C)



8 - 5/16 x 18 Nuts (D)



8 - Plastic Washers (E)



16 - Stainless Washers (F)

## Tool Needed:

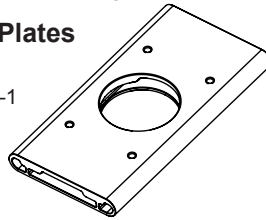
Electric Drill with 3/8" Drill Bit • 3/16" Allen Wrench • 1/2" Box Wrench

## INSTALLATION OF YOUR NEW GRAND SLAM 170 OUTRIGGER BASE ON A T-TOP (CANVAS TOP)

When installing the TACO Grand Slam mount on a canvas top (Fig 1) a mounting plate must first be installed running for and aft on each side between the brace bars of the T-Top. If there is no mounting plate, you can choose the optional TACO weld-in plate GSE-1939BXY30-1 (Contact your local retailer for details). Another option would be to weld in your own plate. If you are having plates made, they should be 3/8" thick by 5" wide and long enough to fit between the brace bars. Mark the location of the 4 mounting holes right through the holes in the unit. Weld the plates to the frame and brace bars. The mounting plates should be welded on 3 sides. If mounting to a hardtop see illustration (Fig 2).

### TACO Optional Mounting Plates

GSE-1939BXY30-1

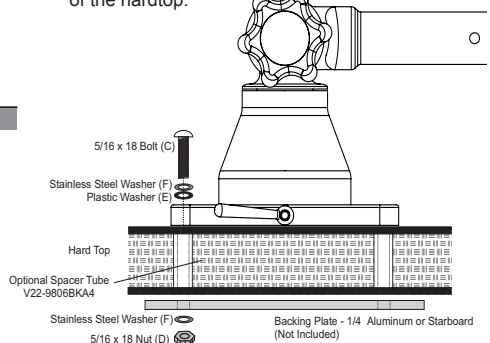
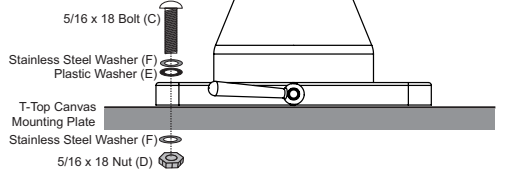


On the underside of the TACO GS-170 put a bead of Silicone around all 4 holes of the unit and place on top of the canvas directly over the holes in the plate, insert the bolts and tighten with a 3/16" Allen Wrench.

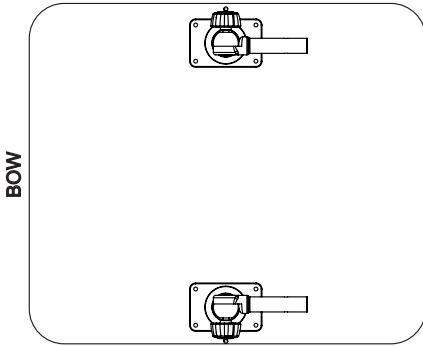
Figure 1

For a solid fiberglass hard top, drill each hole with a 3/8" drill bit. Put a bead of silicone on the underside of the footprint of the TACO GS-170 units around the lower body and around each mounting hole. For a soft core or hollow core hard top, Drill each hole with a 7/16" drill bit. Measure the thickness of the hard top and cut the spacers flush with the top and bottom of the hardtop.

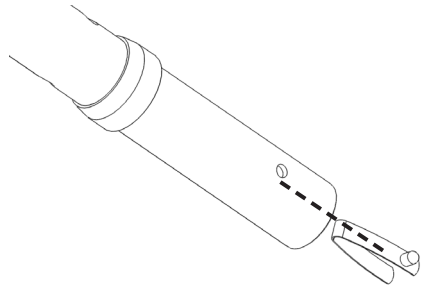
Figure 2



## Mount Orientation on Top - With Adjustment Knob/Lever Facing Outboard



## Installing The TACO Tele-Outriggers



The TACO GS-170 uses a 1-1/8" outrigger .

### The TACO part numbers are as follows:

OT-0441BKA15 - 15' Black tube with gold rings and tips.

OT-0441VEL15 - 15' Silver with gold rings and tips

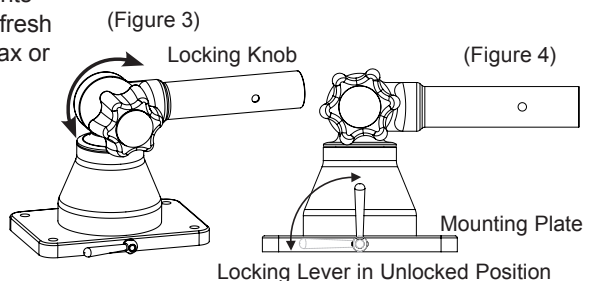
Included with your TACO GS-170's are a pair of stainless steel locking clips. These clips are inserted as in Figure 1, make sure the button aligns with the hole in the butt end of the outrigger. This button will align with the hole in the tube on the TACO GS-170 to lock the outrigger in place. To remove the outrigger depress the button and pull out the outrigger.

## Using The GS-170

The operation of the TACO GS-170 is very straight forward. To Raise and lower the outrigger hold the outrigger securely to prevent it from falling, loosen the outrigger locking knob about 1 to 2 revolutions counterclockwise (Figure 3). The knob has a stop to prevent it from traveling beyond that point, do not force the knob past the stop or you will damage the unit. Lift the outrigger into the fishing position and tighten the locking knob. Make sure the locking splines are engaged while tightening the knob. The splines use a taper style lock, so when you loosen the locking knob apply back pressure to the outrigger to allow it to release. To rotate the head outward, rotate the locking lever to the vertical position (Figure 4), this will release the lock. Rotate the outrigger into the desired fishing position, when in position rotate the locking lever to a non vertical position to lock it into position, the locking positions are every 15°. It may be necessary to move the rotation slightly to allow the lock to engage. Do not force the lock it should engage smoothly.

## Care of your TACO GS-170

Rinse your TACO GS-170 Mounts and outriggers thoroughly with fresh water after each use. Do not wax or use caustic cleaning agents on any of the components as that promotes corrosion.



# TACO TELE-OUTRIGGERS

This patented design outrigger fits perfectly with TACO's Grand Slam Mounts. Available in black and silver poles with gold on rings and tips. 15' poles retract to less than 6' for clearing bridges, trailering and storage. Rigging kits also available.



Patent #5,921,196

INSTRUCT-GRANDSLAM 170



info@TACOMETALS.com  
TACOMETALS.com