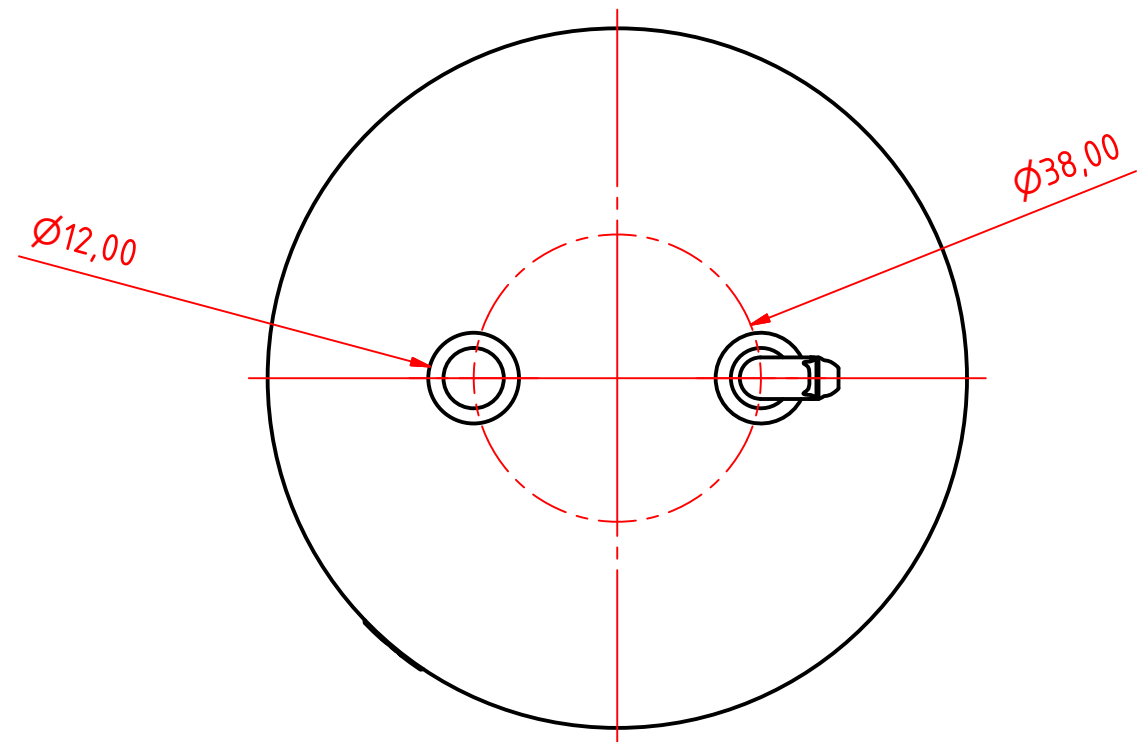
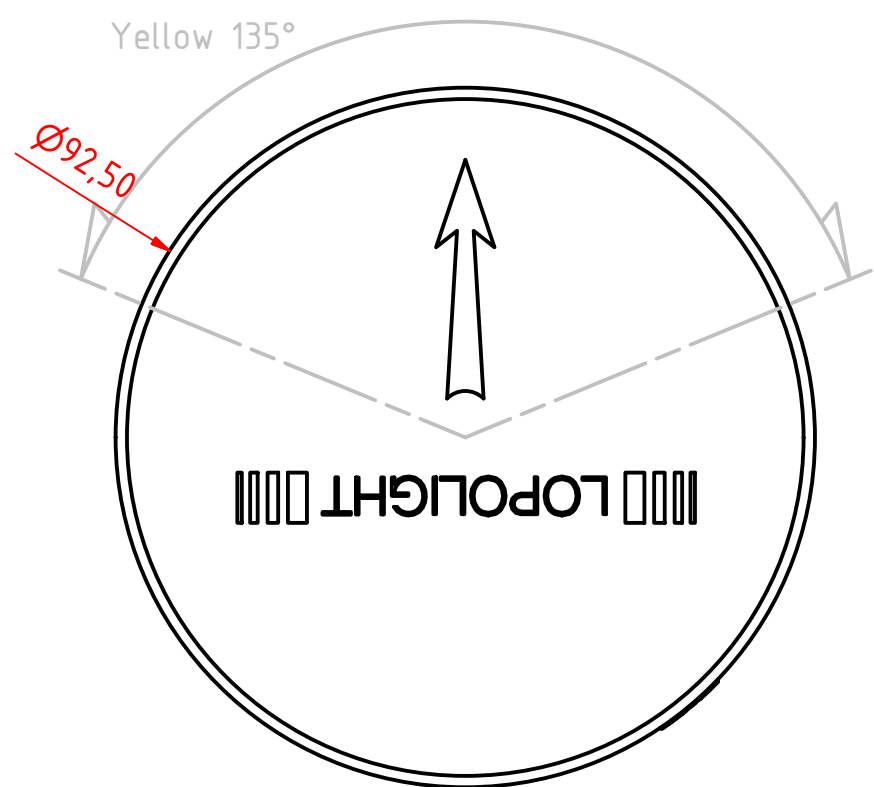


( 1 : 1 )

**Note:**  
The PE Plastic base is intended for fitting on site and can be either drilled for mounting screws from above or drilled and tapped from below. 6mm machine screws with nuts and washers are recommended for secure mounting.

Front

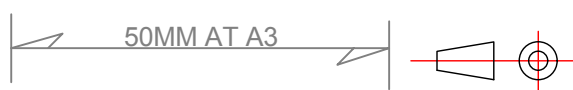


<b>200-013 - 135° Towing light - Yellow, PE Base.</b>			
DRAWING NO.: <b>200-013 A</b>	REV. NO.: <b>0</b>	SIZE: <b>A3</b>	DRAWN BY: <b>Friisen</b>
SCALE: <b>1:1</b>	TOLERANCES: <b>DS/ISO 2768-f</b>	REVIEWED BY:	CREATION DATE: <b>19-Aug-2014</b>
MATERIAL DESCRIPTION: <b>EN 6082 Alu, Arcylic.</b> (20µ) Silver anodized according to EN ISO 7599 (50µ) Black anodized according to MIL-A 8625F			

**LOPOLIGHT**  
Lopolight ApS  
Ved Klaedebo 12  
DK-2970, Hoersholm  
Denmark  
www.lopolight.com

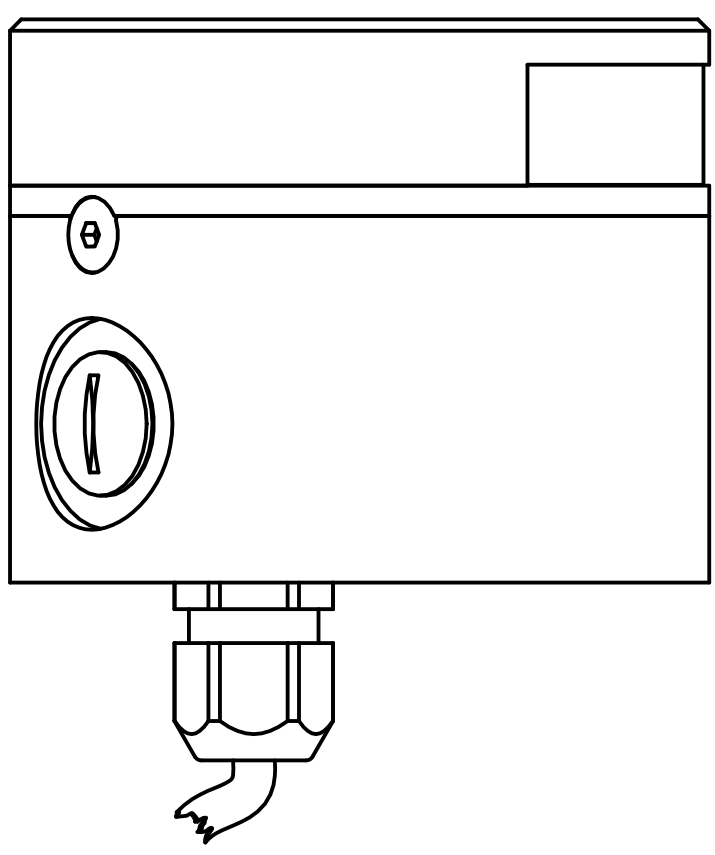
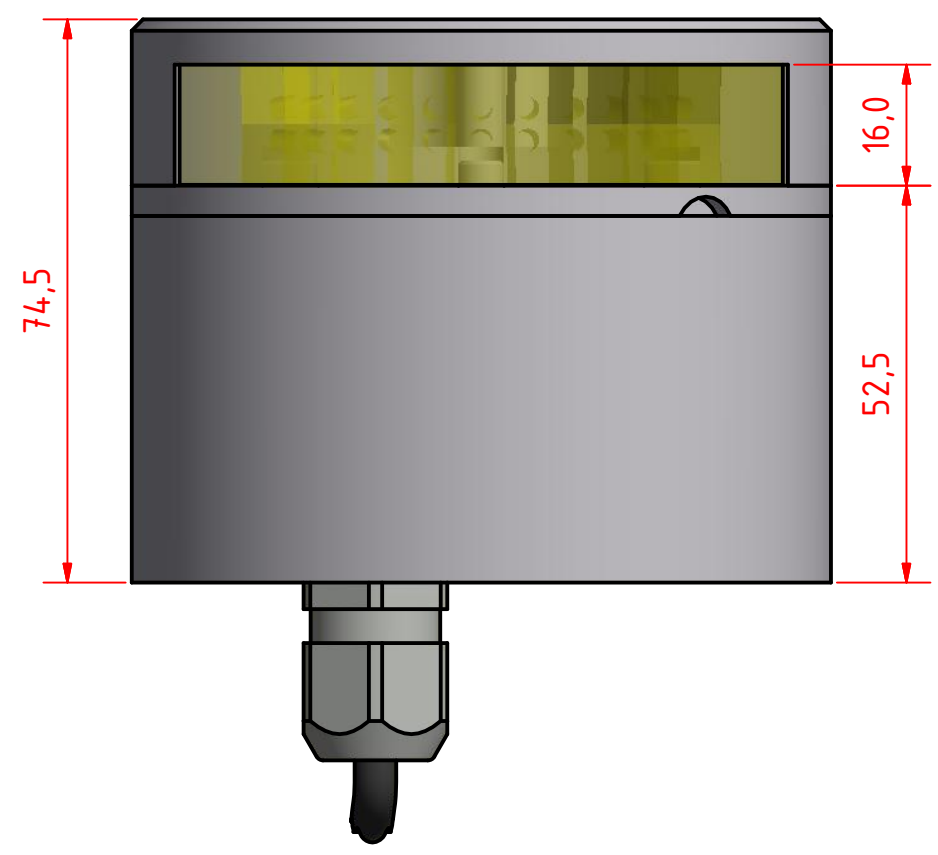
This Drawing, and the information within, is the property of Lopolight ApS and may not be used in any form without express permission there from. Lopolight reserves the right to change this drawing and assumes no liability for the information communicated herein. Use of dimensions and other information in this drawing is at the users own risk.

Tel:(+45) 32 48 50 30 Fax:(+45) 32 48 50 32  
info@lopolight.com

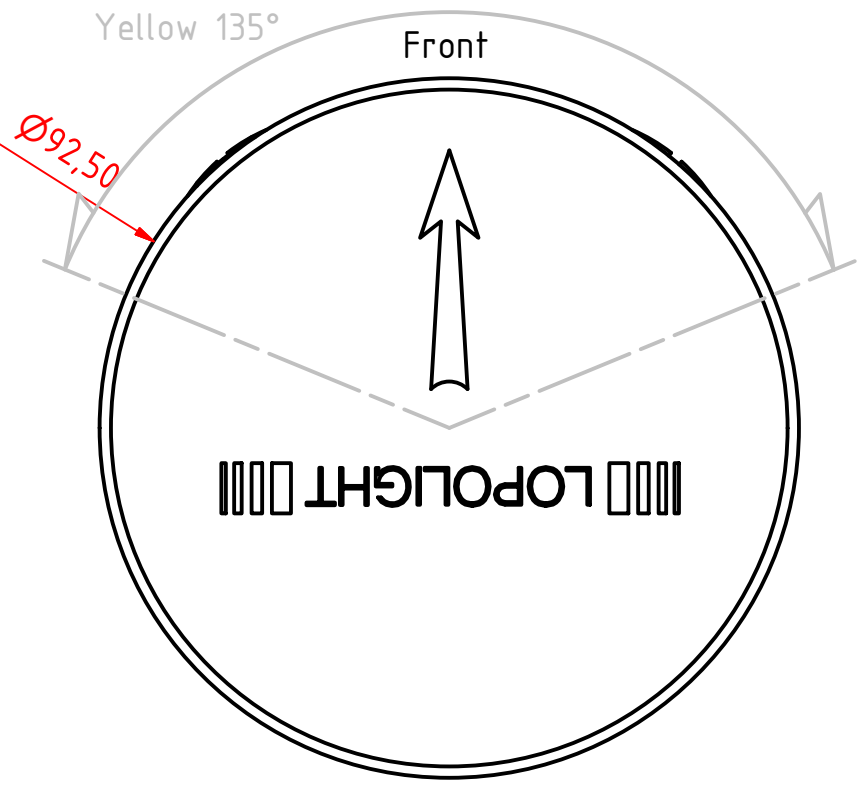


A B C D E F G H I J

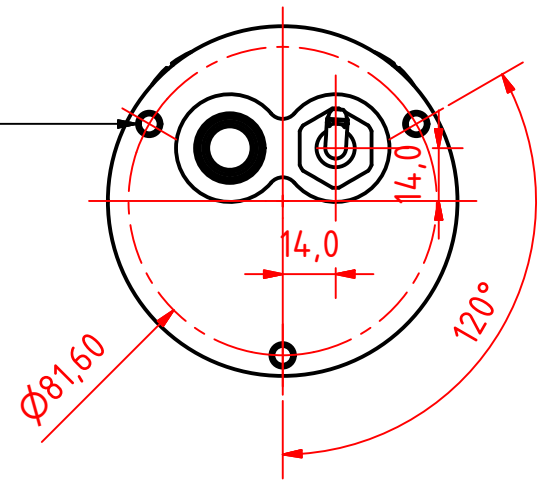
1  
2  
3  
4  
5  
6  
7  
8



( 1 : 2 )



Mounting Hole  
M6x1 - 10,0mm DEEP



200-013 - 135° Towing light - Yellow,  
400-034 Promount, Cable Down.

DRAWING NO.:	REV. NO.:	SIZE:	DRAWN BY:
200-013 B	0	A3	Friisen
SCALE:	TOLERANCES:	REVIEWED BY:	CREATION DATE:
1:1	DS/ISO 2768-f		19-Aug-2014

MATERIAL DESCRIPTION:  
EN 6082 Alu, Arcylic.

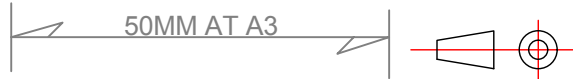
This Drawing, and the information within, is the property of Lopolight ApS and may not be used in any form without express permission there from. Lopolight reserves the right to change this drawing and assumes no liability for the information communicated herein. Use of dimensions and other information in this drawing is at the users own risk.



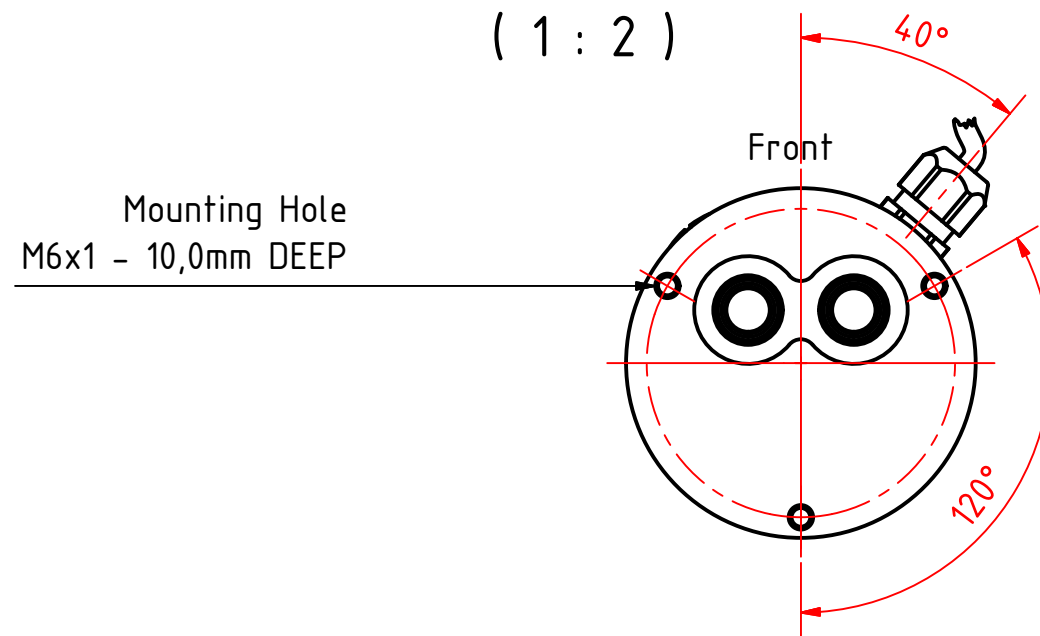
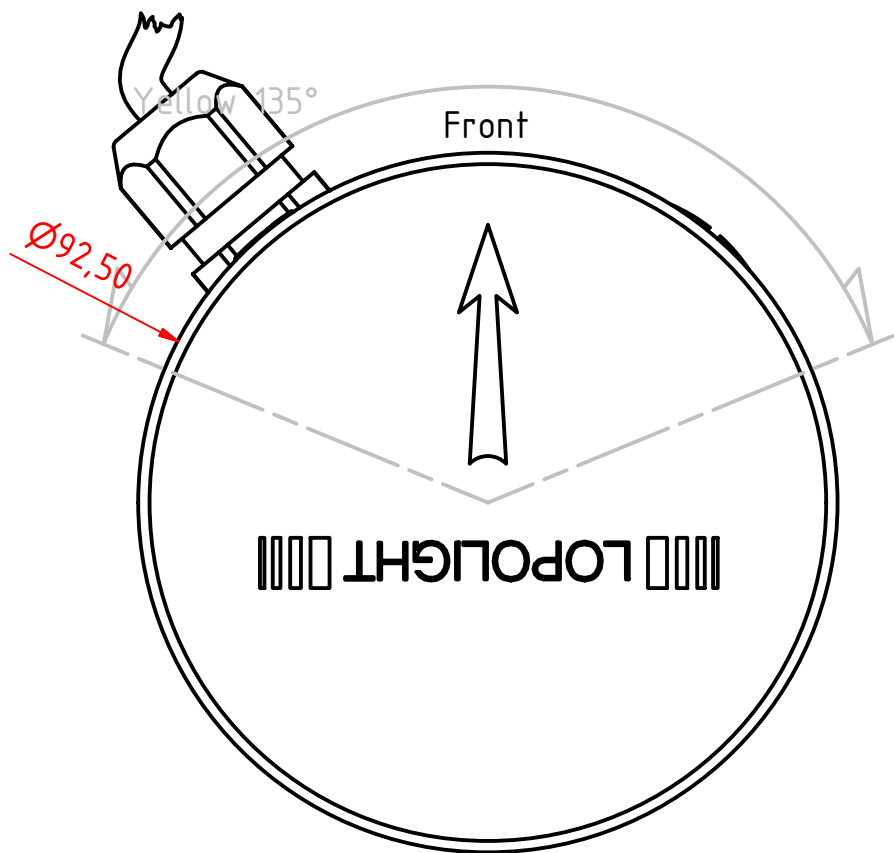
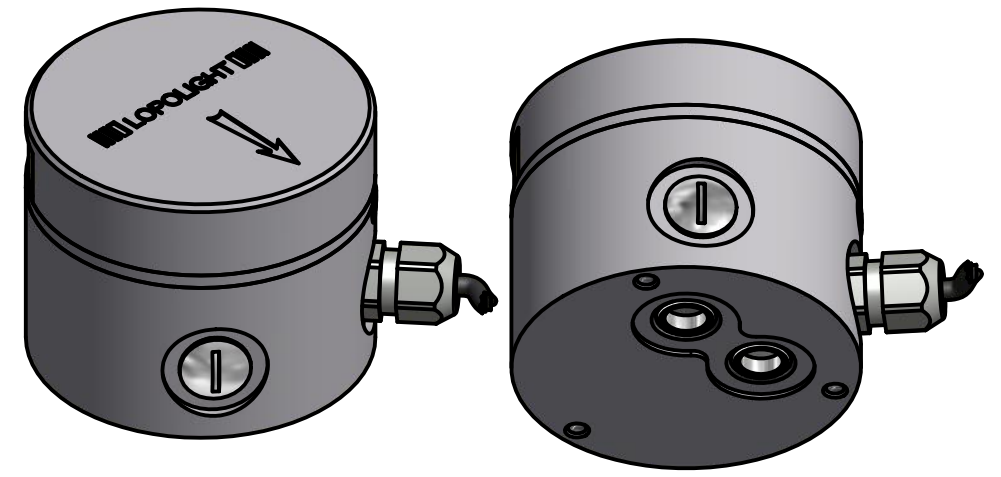
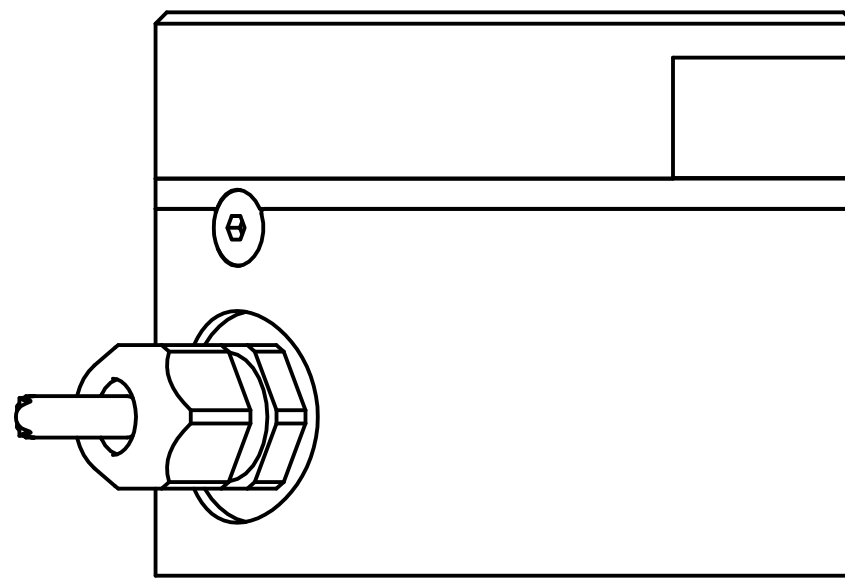
Lopolight ApS  
Ved Klaedebo 12  
DK-2970, Hoersholm  
Denmark

www.lopolight.com

Tel:(+45) 32 48 50 30 Fax:(+45) 32 48 50 32  
info@lopolight.com



A B C D E F G H I J



200-013 - 135° Towing light - Yellow,  
400-034 Promount, Cable Side

DRAWING NO.:	REV. NO.:	SIZE:	DRAWN BY:
200-013 C	0	A3	Friisen
SCALE:	TOLERANCES:	REVIEWED BY:	CREATION DATE:
1:1	DS/ISO 2768-f		19-Aug-2014

MATERIAL DESCRIPTION:  
EN 6082 Alu, Arcylic.

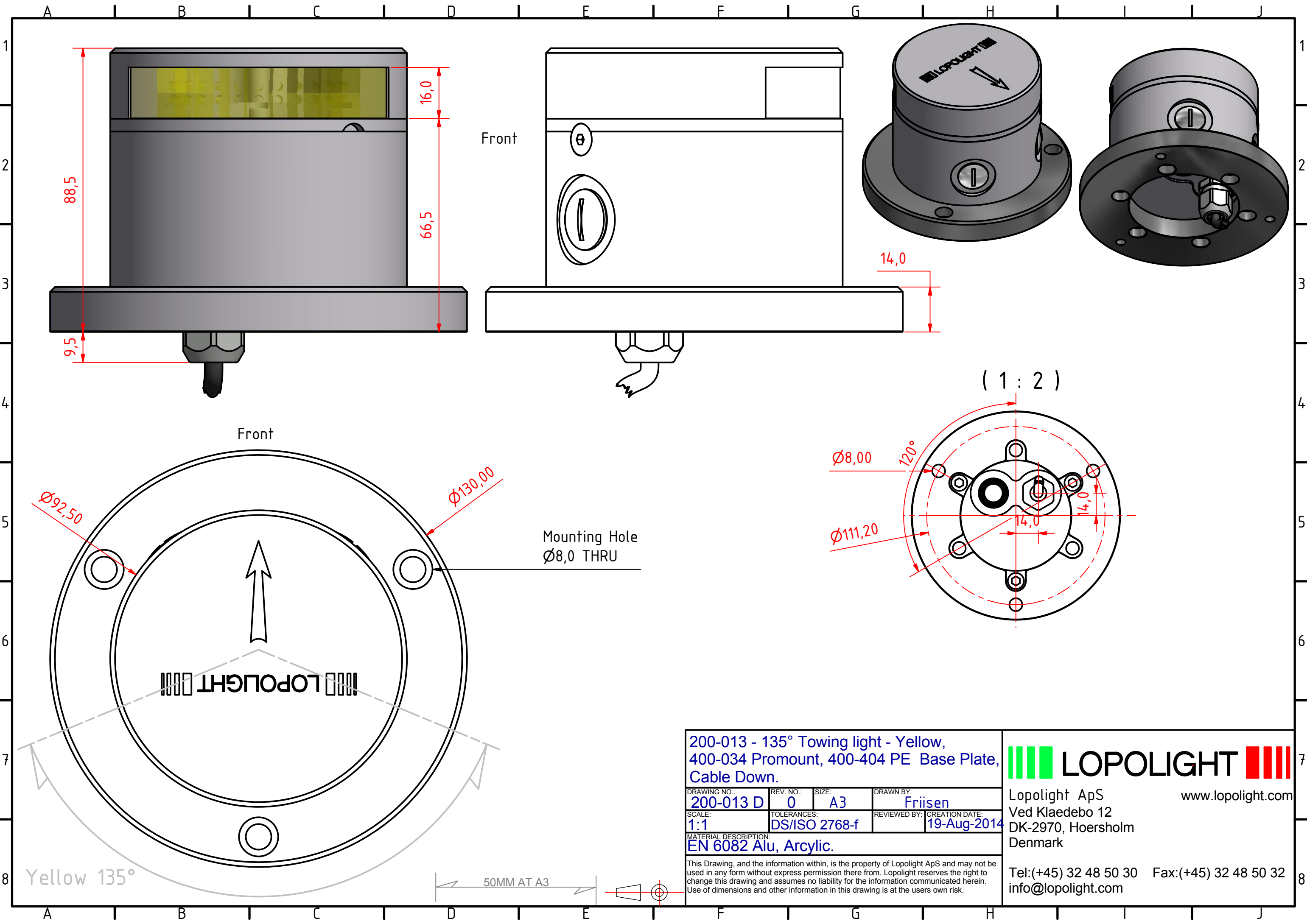
This Drawing, and the information within, is the property of Lopolight ApS and may not be used in any form without express permission there from. Lopolight reserves the right to change this drawing and assumes no liability for the information communicated herein. Use of dimensions and other information in this drawing is at the users own risk.



Lopolight ApS  
Ved Klaedebo 12  
DK-2970, Hoersholm  
Denmark

Tel:(+45) 32 48 50 30 Fax:(+45) 32 48 50 32  
info@lopolight.com





200-013 - 135° Towing light - Yellow, 400-034 Promount, 400-404 PE Base Plate, Cable Down.			
DRAWING NO.:	REV. NO.:	SIZE:	DRAWN BY:
200-013 D	0	A3	Friisen
SCALE:	TOLERANCES:	REVIEWED BY:	CREATION DATE:
1:1	DS/ISO 2768-f		19-Aug-2014
MATERIAL DESCRIPTION: EN 6082 Alu, Arcylic.			

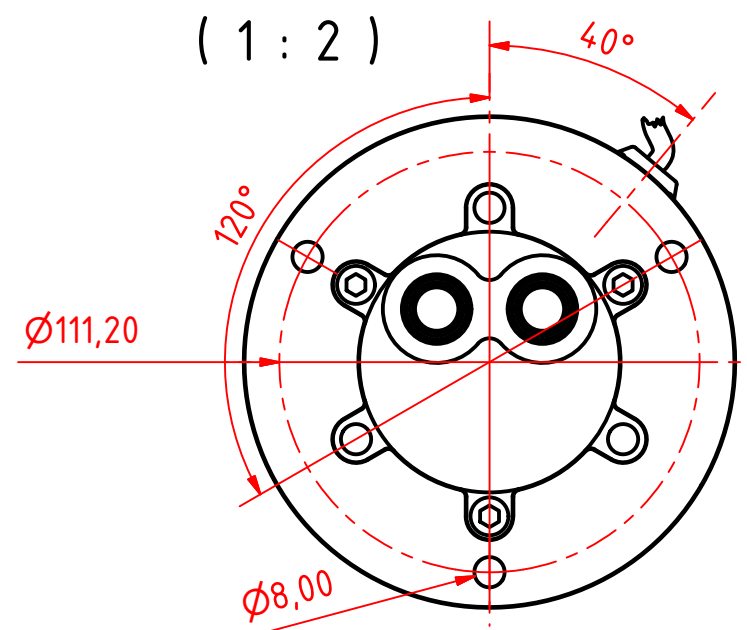
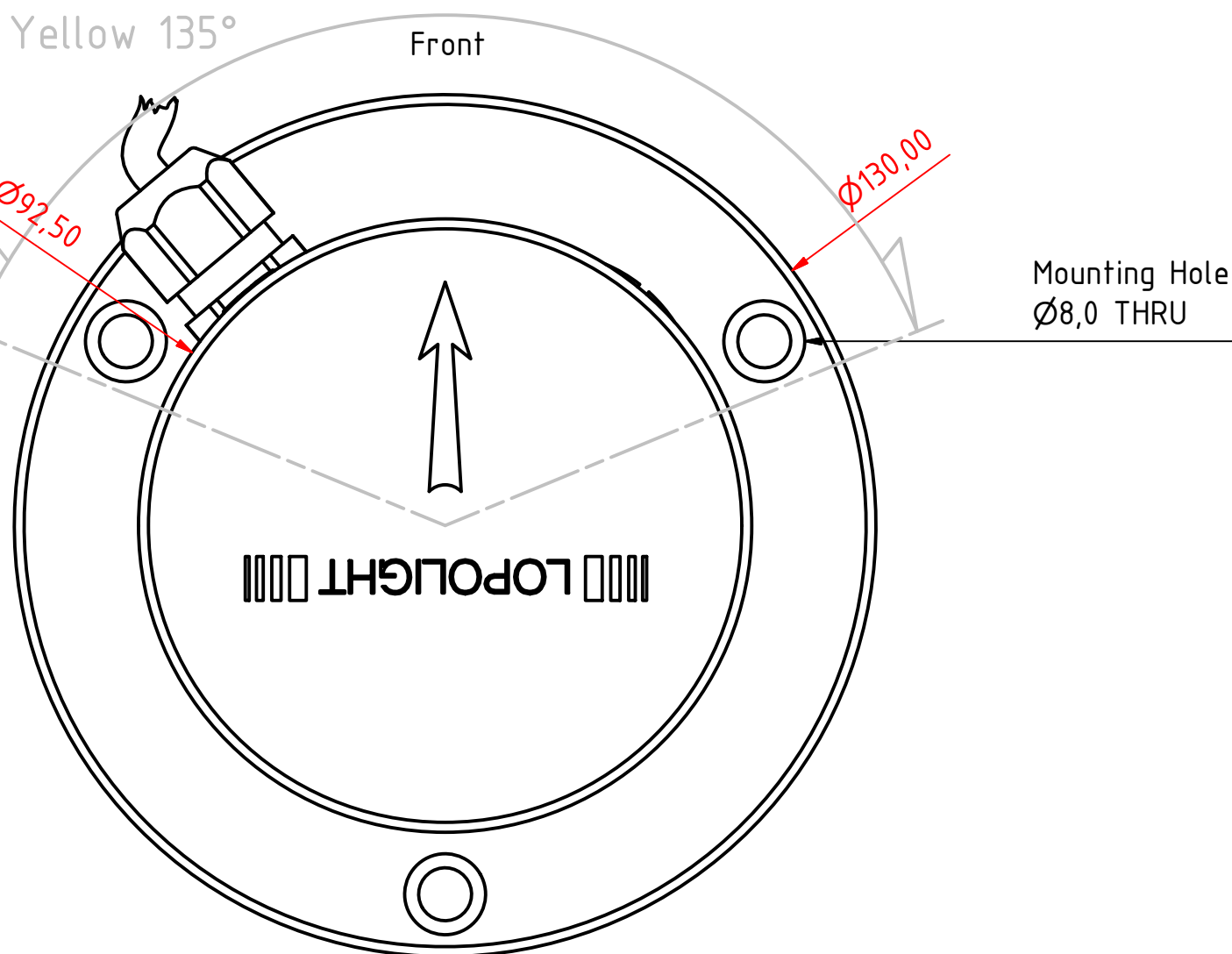
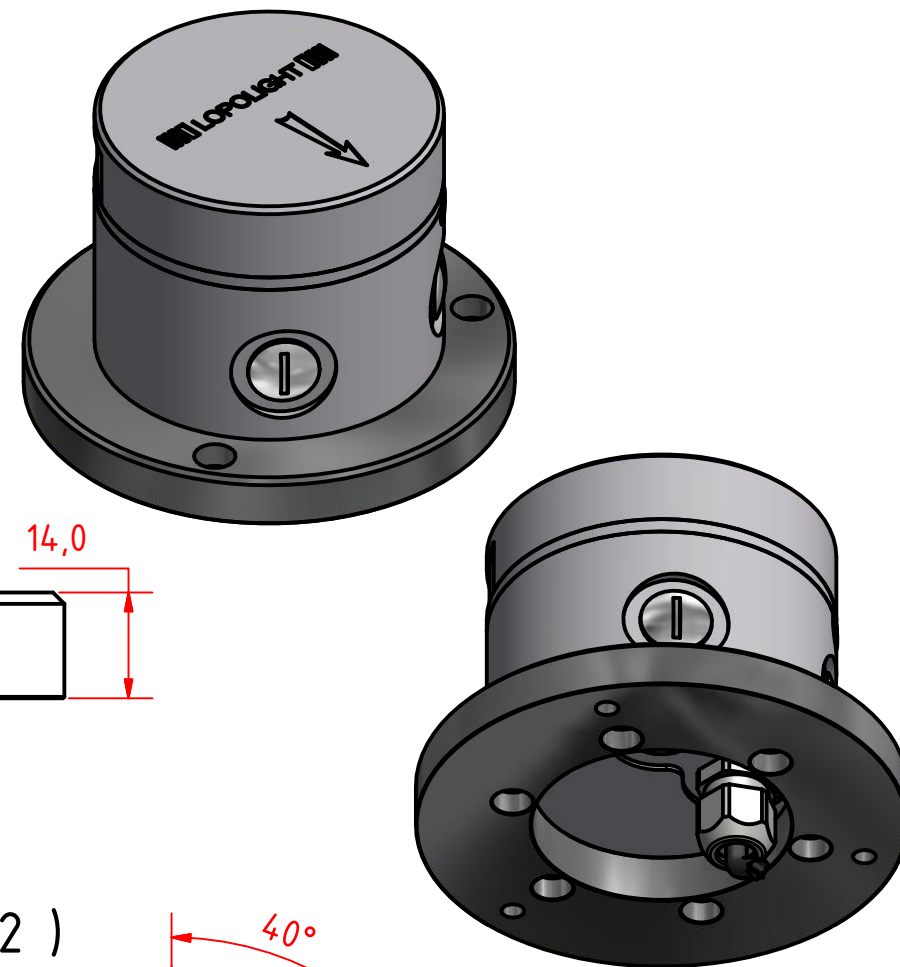
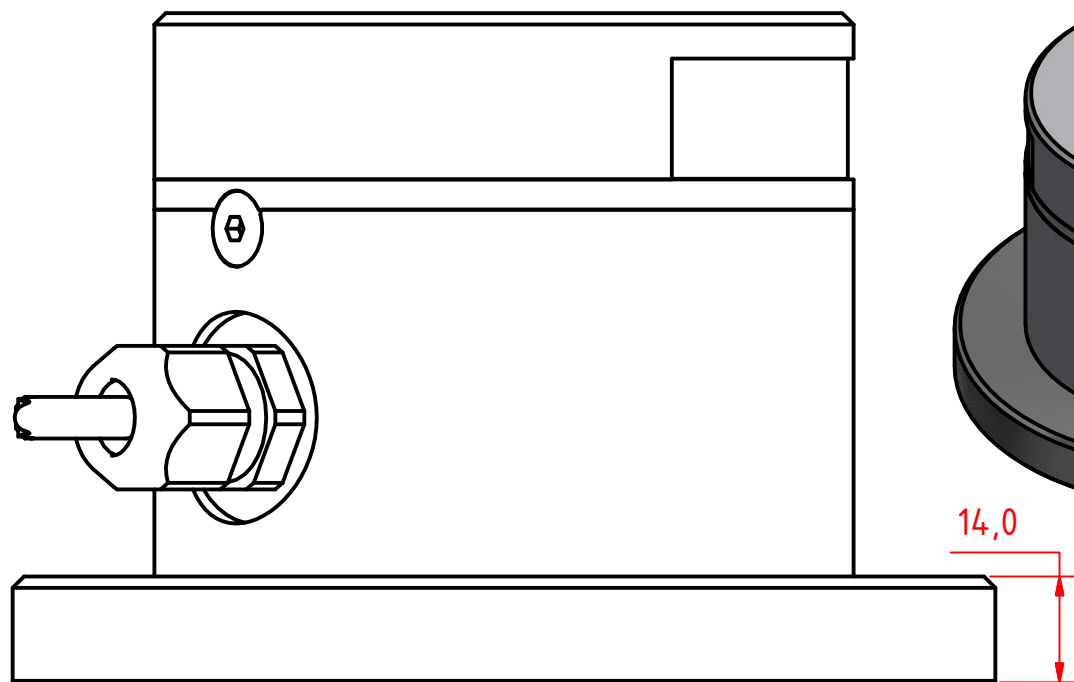
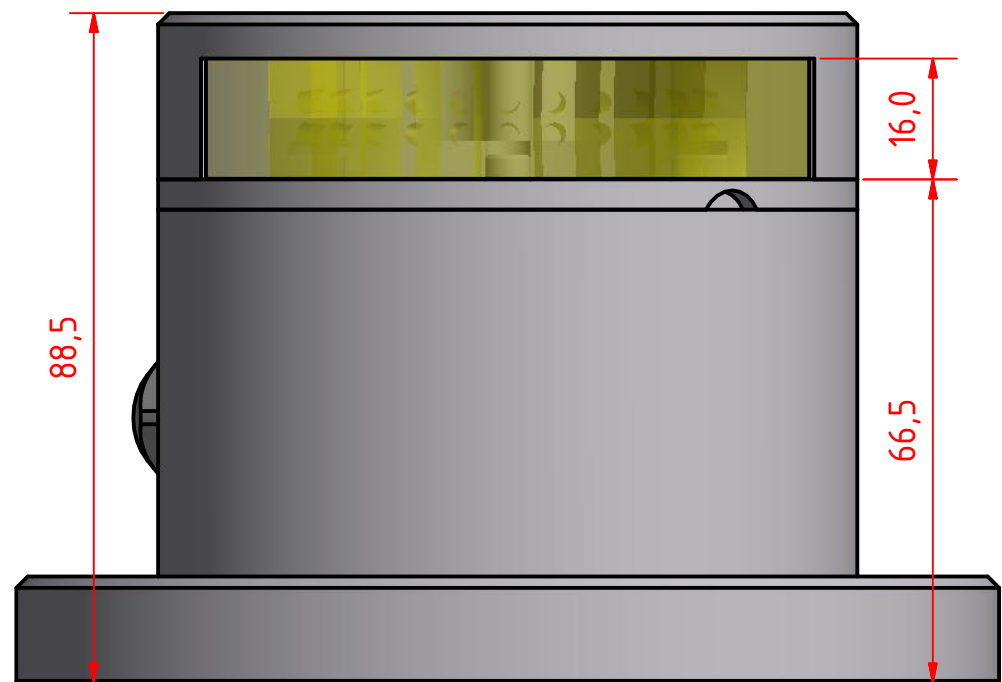
**LOPOLIGHT**

Lopolight ApS  
Ved Klaedebo 12  
DK-2970, Hoersholm  
Denmark

www.lopolight.com

This Drawing, and the information within, is the property of Lopolight ApS and may not be used in any form without express permission there from. Lopolight reserves the right to change this drawing and assumes no liability for the information communicated herein. Use of dimensions and other information in this drawing is at the users own risk.

Tel:(+45) 32 48 50 30 Fax:(+45) 32 48 50 32  
info@lopolight.com



200-013 - 135° Towing light - Yellow,  
 400-034 Promount, 400-404 PE Base Plate,  
 Cable Side

DRAWING NO.: 200-013 E	REV. NO.: 0	SIZE: A3	DRAWN BY: Friisen
SCALE: 1:1	TOLERANCES: DS/ISO 2768-f	REVIEWED BY:	CREATION DATE: 19-Aug-2014

MATERIAL DESCRIPTION:  
 EN 6082 Alu, Arcylic.

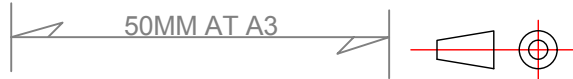
**LOPOLIGHT**

Lopolight ApS  
 Ved Klaedebo 12  
 DK-2970, Hoersholm  
 Denmark

www.lopolight.com

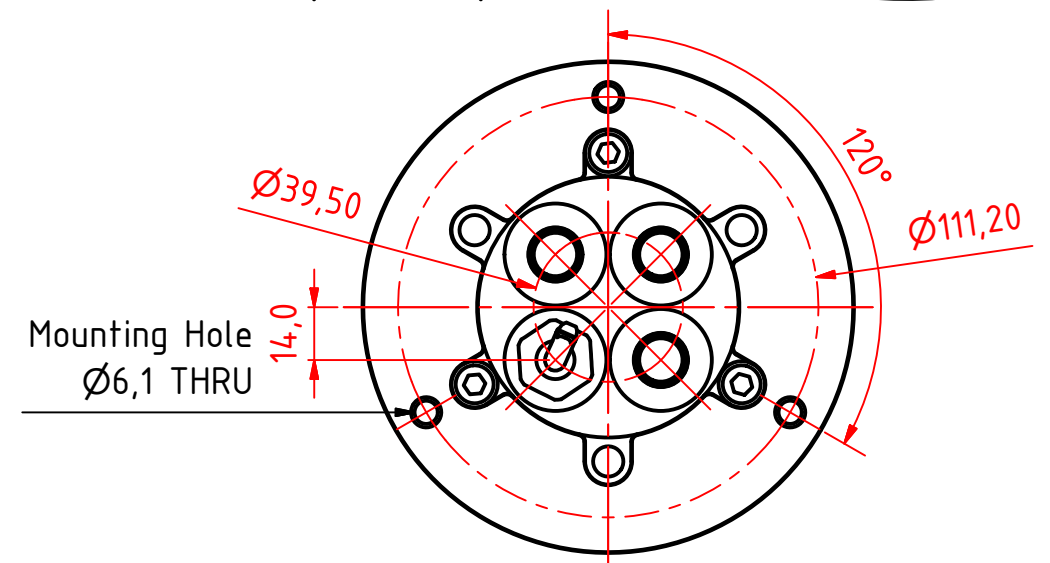
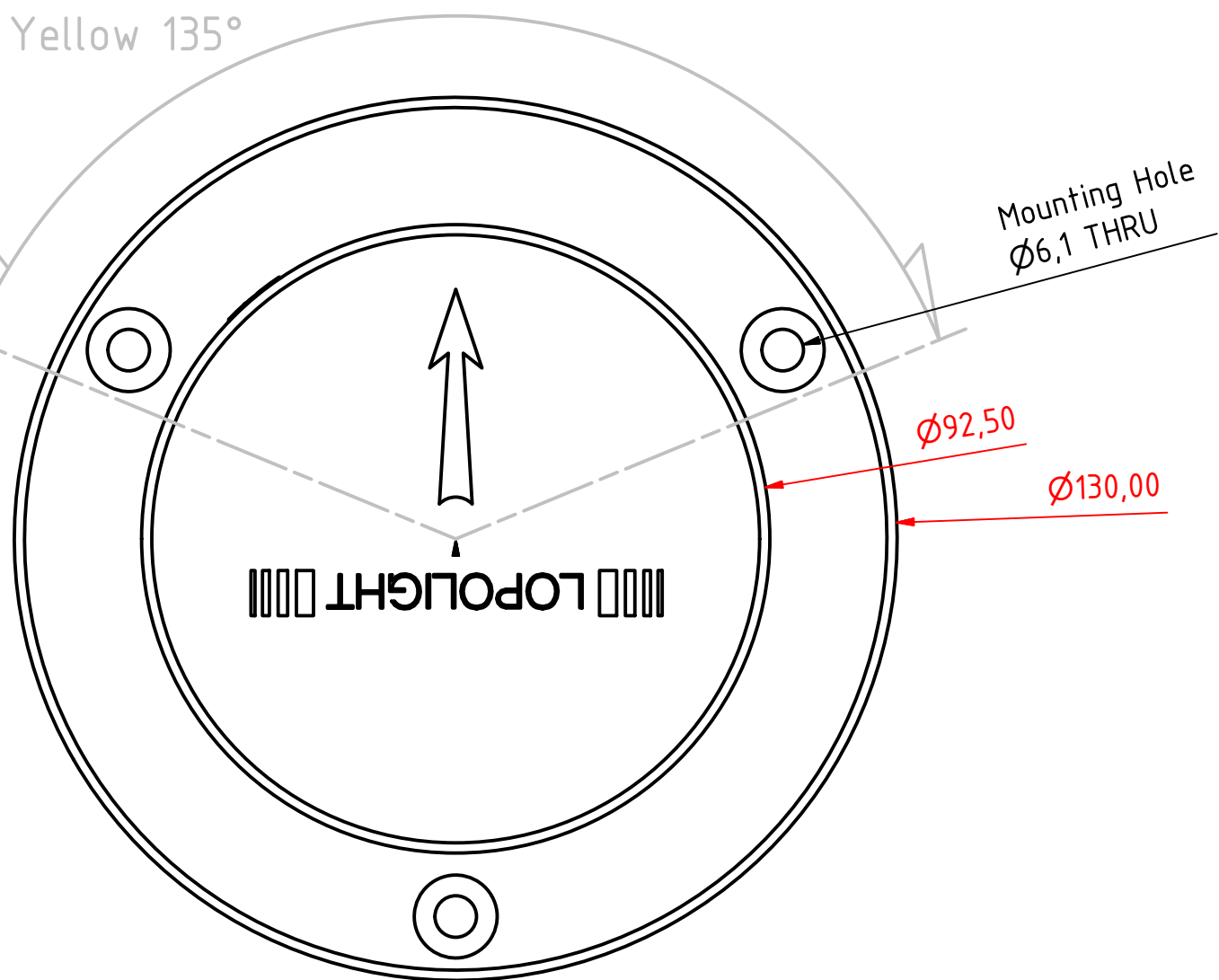
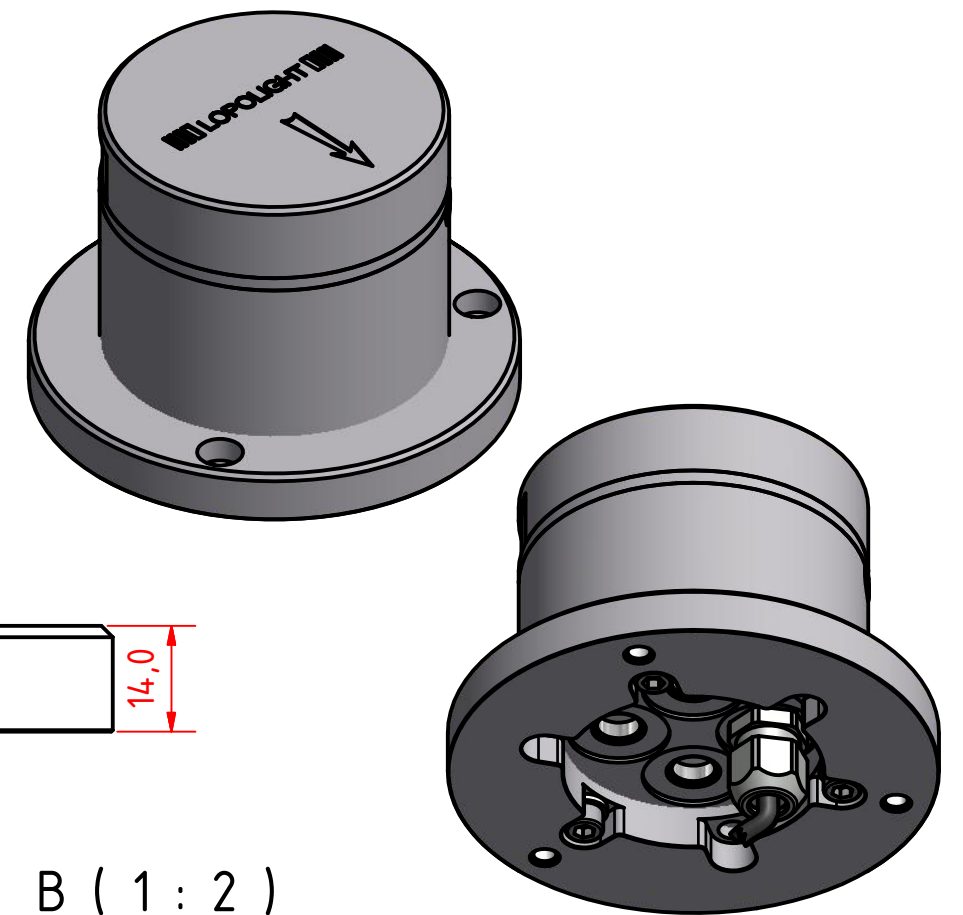
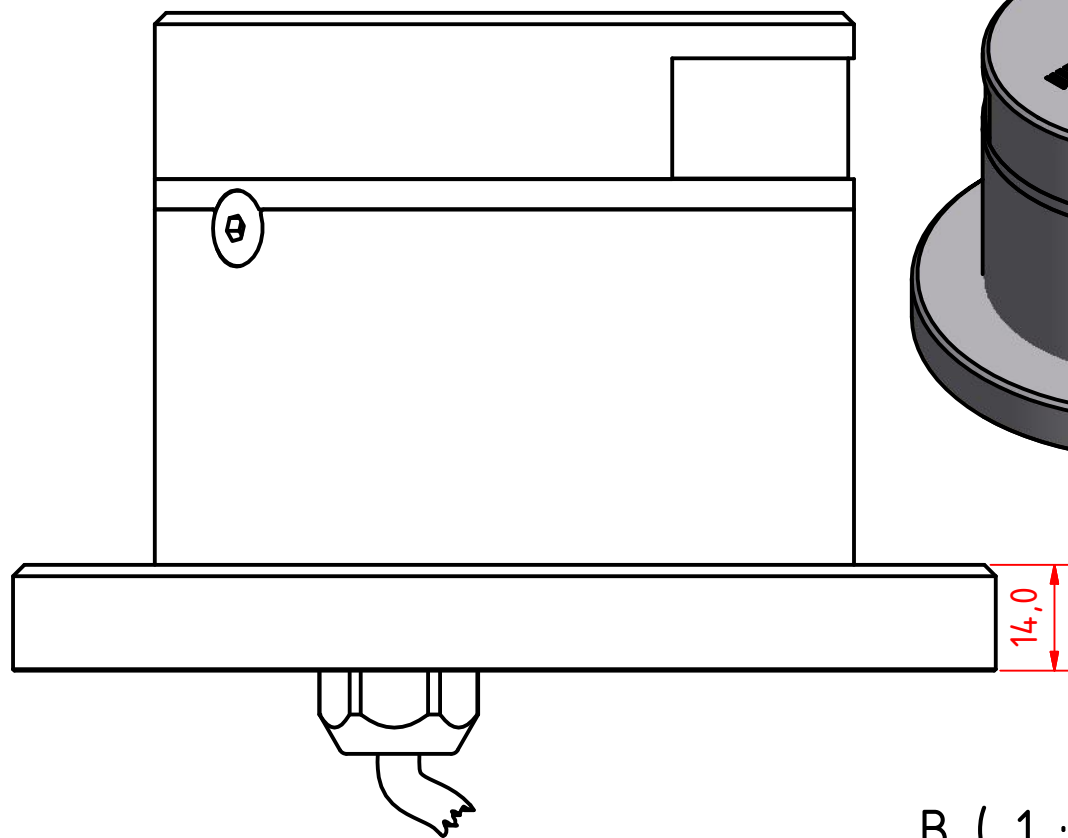
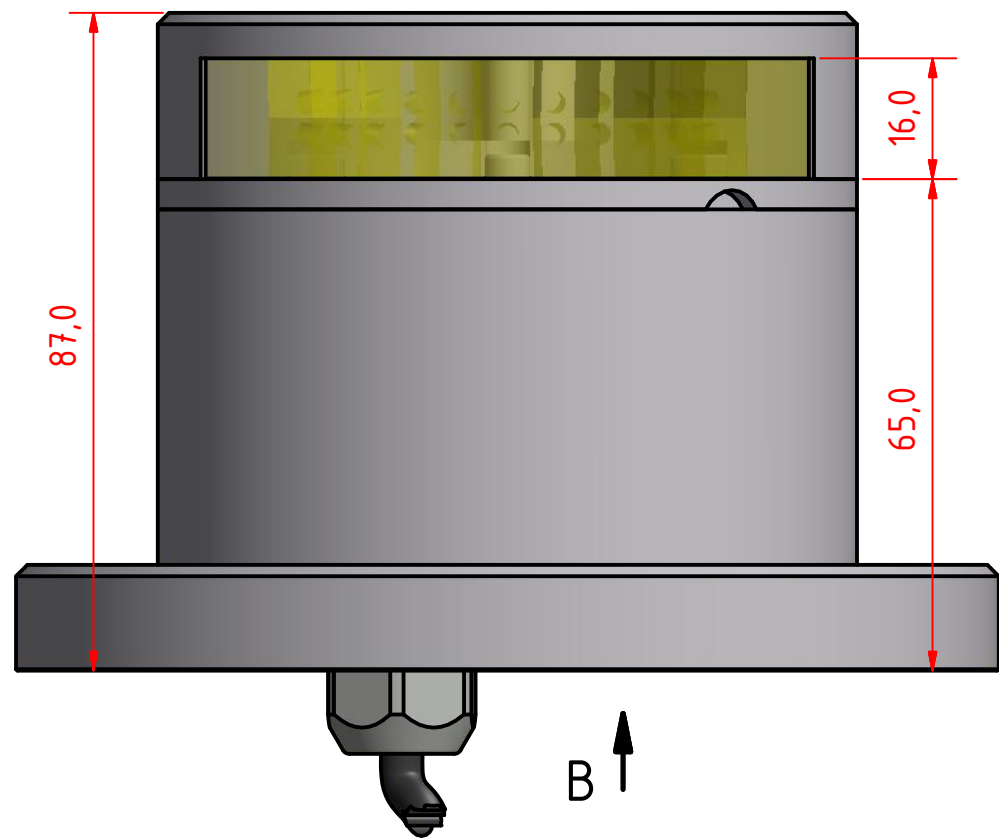
Tel:(+45) 32 48 50 30 Fax:(+45) 32 48 50 32  
 info@lopolight.com

This Drawing, and the information within, is the property of Lopolight ApS and may not be used in any form without express permission there from. Lopolight reserves the right to change this drawing and assumes no liability for the information communicated herein. Use of dimensions and other information in this drawing is at the users own risk.









200-013 - 135° Towing light - Yellow,  
 400-035 Promount, 400-404 Alu Base Plate,  
 Cable Aft.

DRAWING NO.:	REV. NO.:	SIZE:	DRAWN BY:
200-013 G	0	A3	Friisen
SCALE:	TOLERANCES:	REVIEWED BY:	CREATION DATE:
1:1	DS/ISO 2768-f		19-Aug-2014

MATERIAL DESCRIPTION:  
 EN 6082 Alu, Arcylic.

This Drawing, and the information within, is the property of Lopolight ApS and may not be used in any form without express permission there from. Lopolight reserves the right to change this drawing and assumes no liability for the information communicated herein. Use of dimensions and other information in this drawing is at the users own risk.



Lopolight ApS  
 Ved Klaedebo 12  
 DK-2970, Hoersholm  
 Denmark

Tel: (+45) 32 48 50 30 Fax: (+45) 32 48 50 32  
 info@lopolight.com

