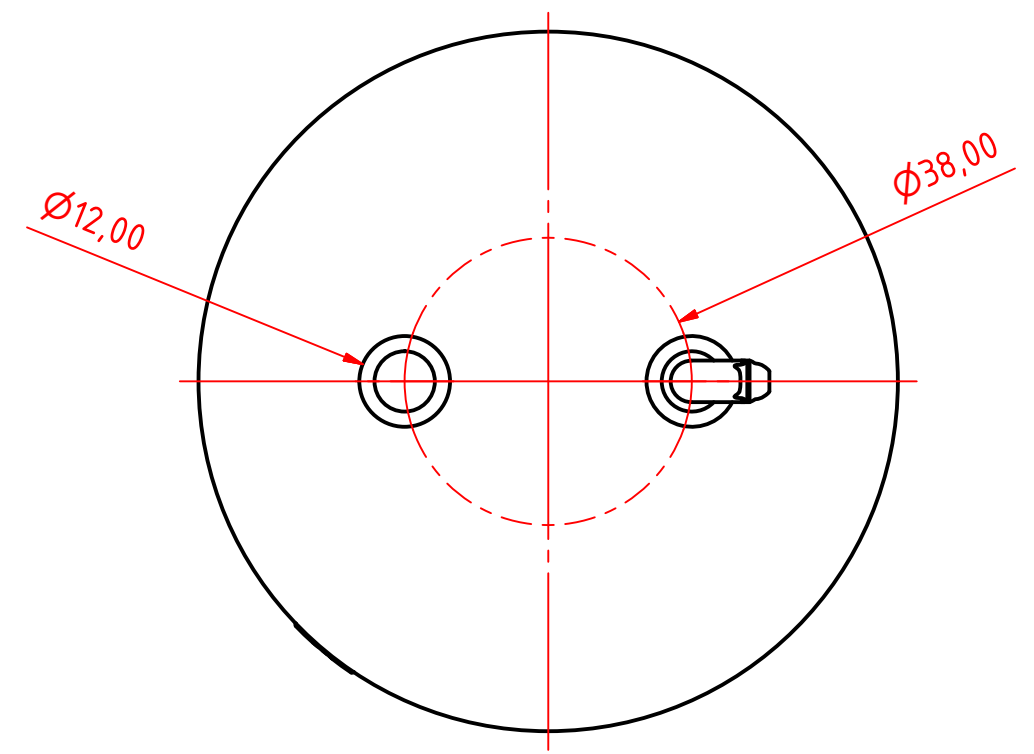
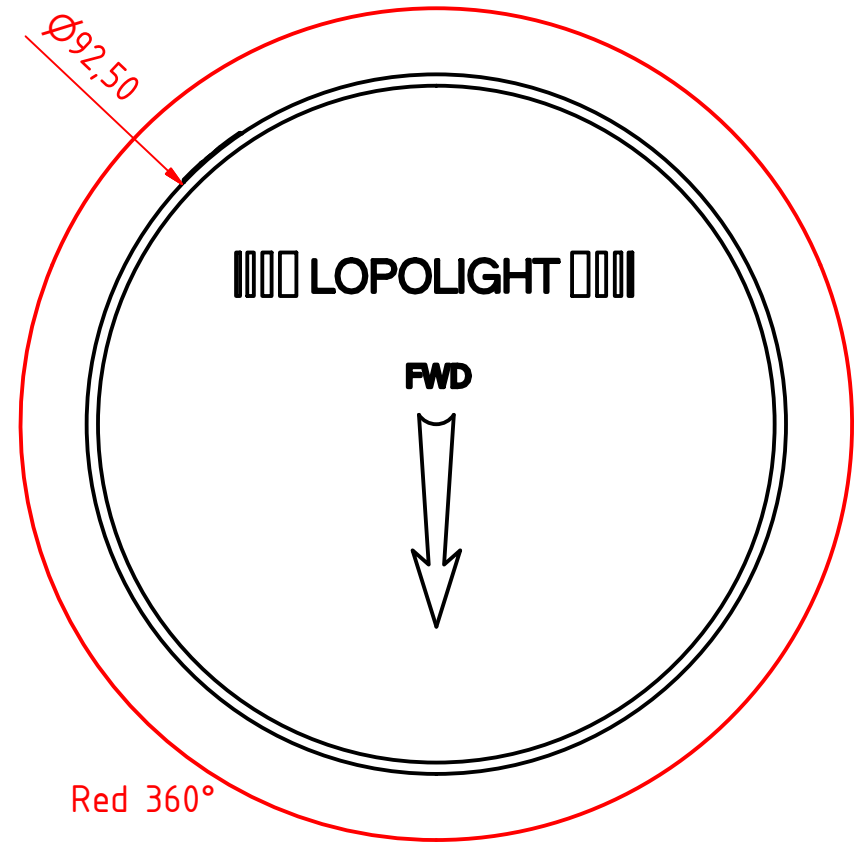


(1 : 1)

Note:
 The PE Plastic base is intended for fitting on site and can be either drilled for mounting screws from above or drilled and tapped from below. 6mm machine screws with nuts and washers are recommended for secure mounting.



200-014 - 360° Red, PE Base.

DRAWING NO.: 200-014 A	REV. NO.: 0	SIZE: A3	DRAWN BY: Friisen
SCALE: 1:1	TOLERANCES: DS/ISO 2768-f	REVIEWED BY:	CREATION DATE: 20-08-2014

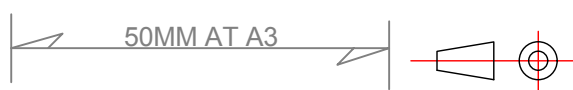
MATERIAL DESCRIPTION:
Alu EN 6082, Acrylic, PE (20µ) Silver anodized according to EN ISO 7599
 (45µ) Black anodized according to MIL-A 8625F

This Drawing, and the information within, is the property of Lopolight ApS and may not be used in any form without express permission there from. Lopolight reserves the right to change this drawing and assumes no liability for the information communicated herein. Use of dimensions and other information in this drawing is at the users own risk.

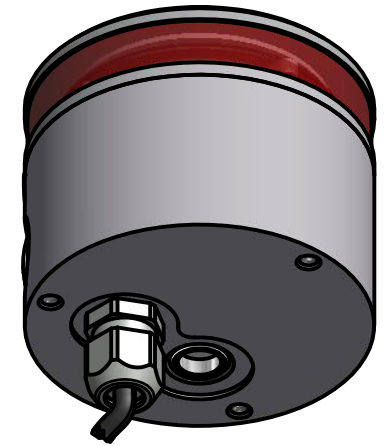
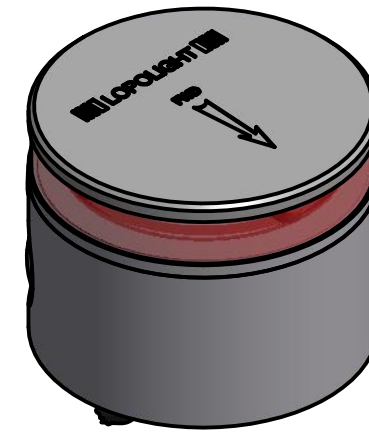
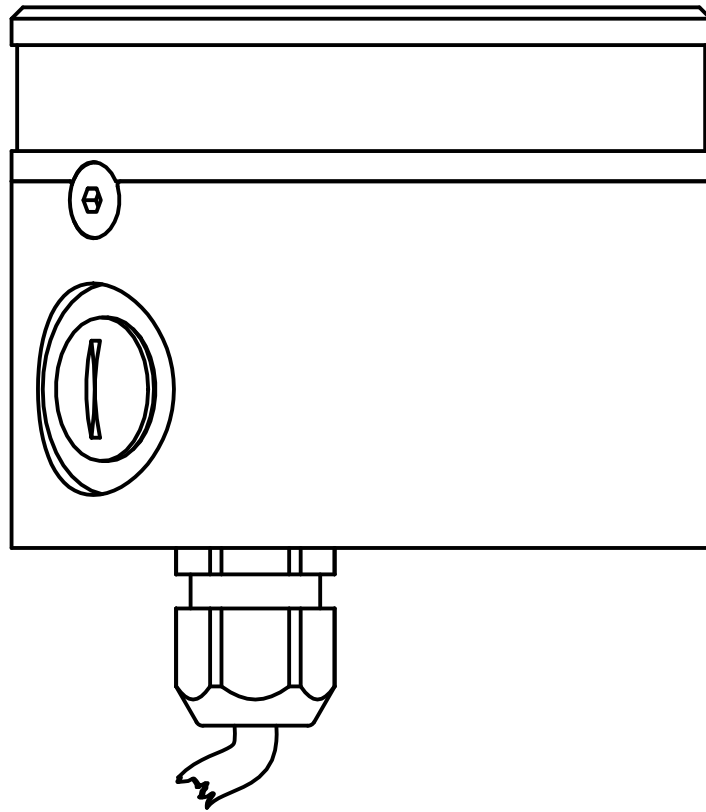
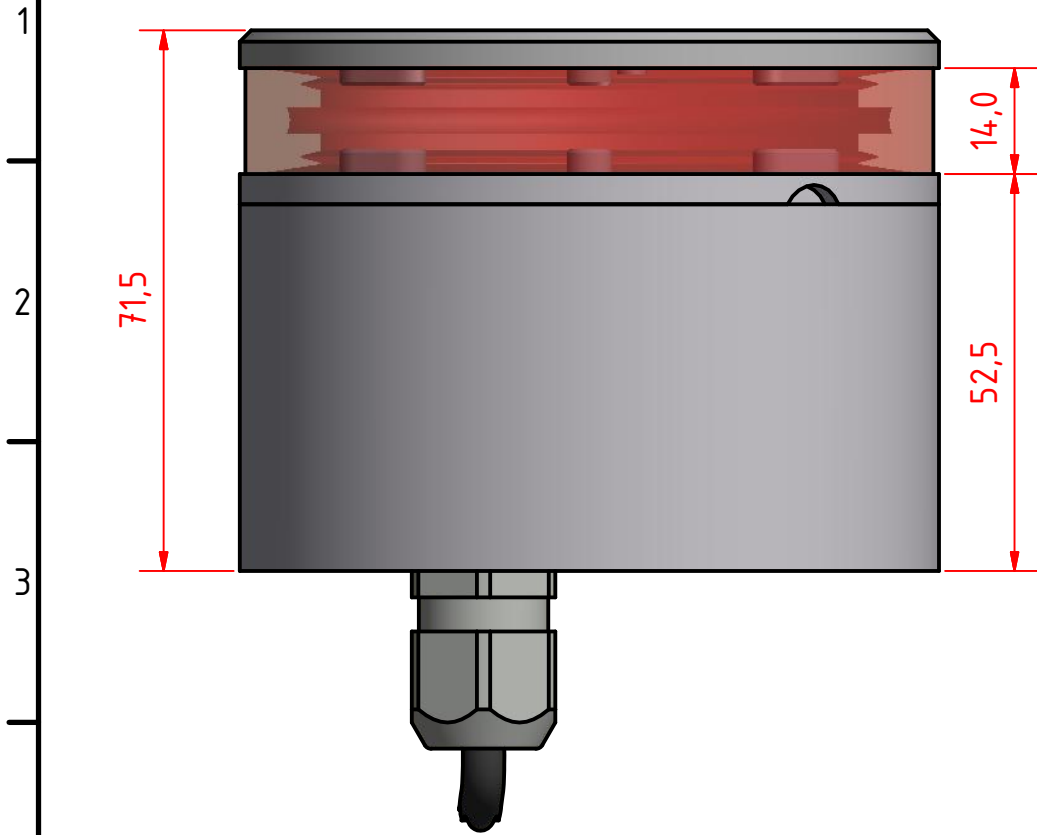


Lopolight ApS
 Ved Klaedebo 12
 DK-2970, Hoersholm
 Denmark

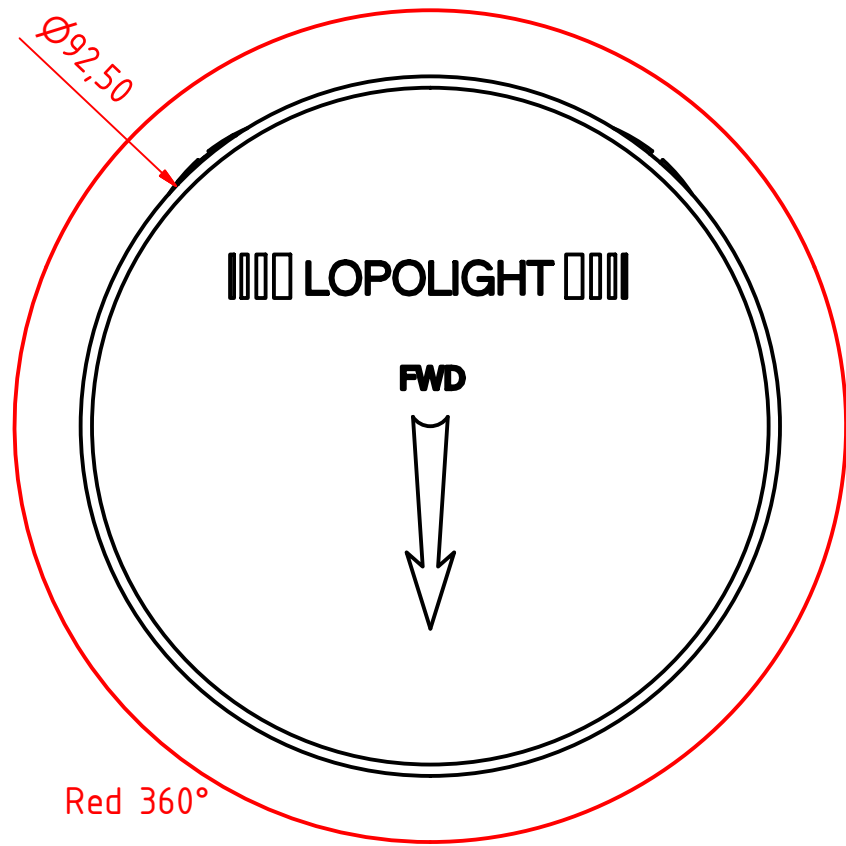
Tel: (+45) 32 48 50 30 Fax: (+45) 32 48 50 32
 info@lopolight.com



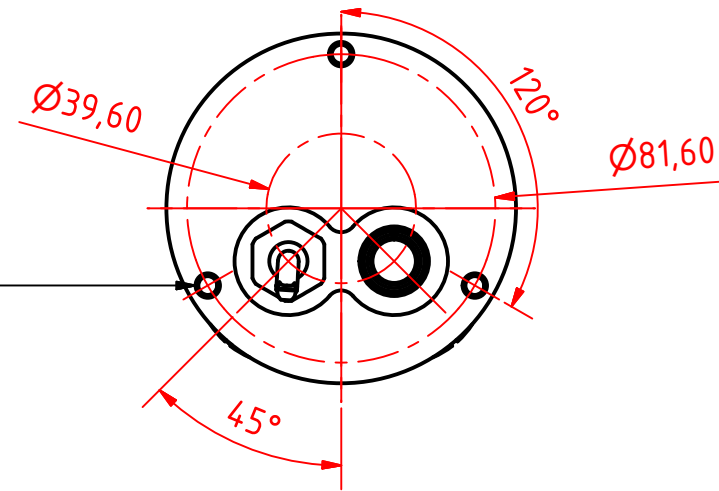
A B C D E F G H I J



(1 : 2)



Mounting Hole
M6x1 - 10,0mm DEEP



200-014 - 360° Red, 400-034 Promount,
Cable Down.

DRAWING NO.:	REV. NO.:	SIZE:	DRAWN BY:
200-014 B	0	A3	Friisen
SCALE:	TOLERANCES:	REVIEWED BY:	CREATION DATE:
1:1	DS/ISO 2768-f		20-08-2014
MATERIAL DESCRIPTION:			
EN 6082 Alu, Acrylic. (20µ) Silver anodized according to EN ISO 7599 (50µ) Black anodized according to MIL-A 8625F			

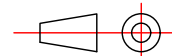
This Drawing, and the information within, is the property of Lopolight ApS and may not be used in any form without express permission there from. Lopolight reserves the right to change this drawing and assumes no liability for the information communicated herein. Use of dimensions and other information in this drawing is at the users own risk.

LOPOLIGHT

Lopolight ApS
Ved Klaedebo 12
DK-2970, Hoersholm
Denmark

Tel:(+45) 32 48 50 30 Fax:(+45) 32 48 50 32
info@lopolight.com

50MM AT A3



A B C D E F G H I J

8

8

7

7

6

6

5

5

4

4

3

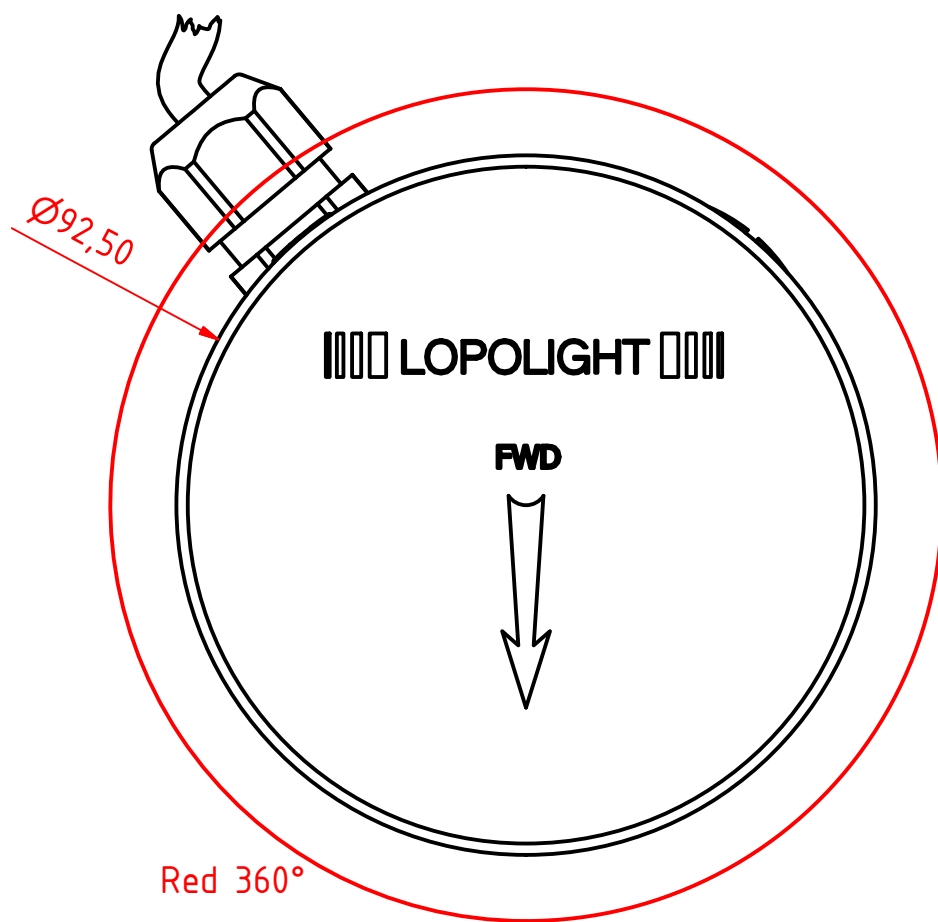
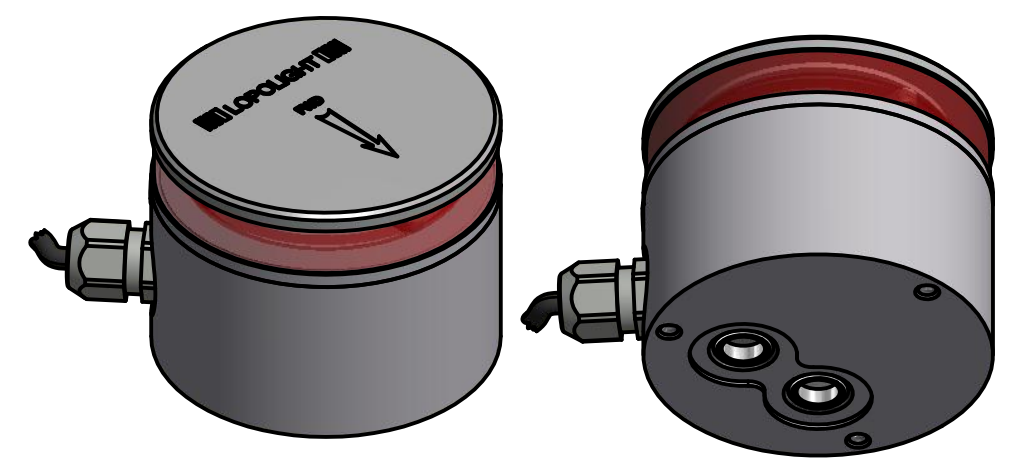
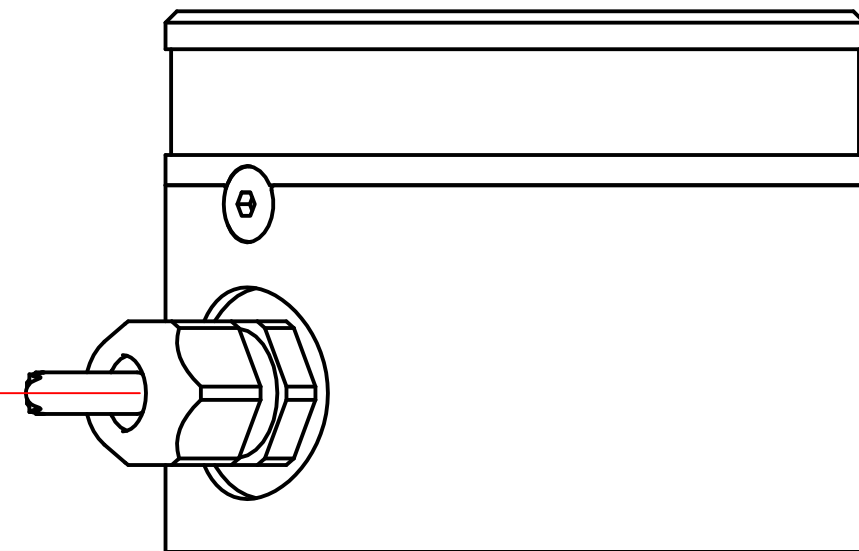
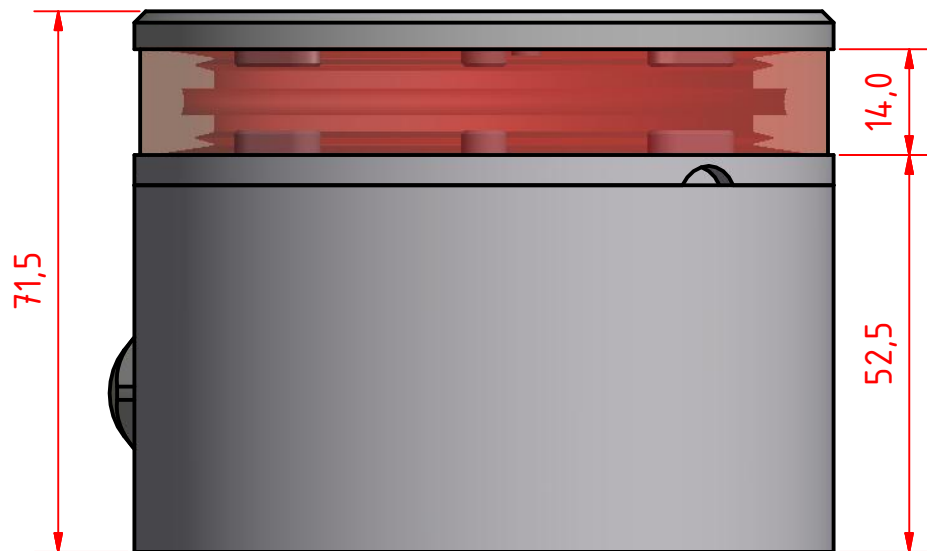
3

2

2

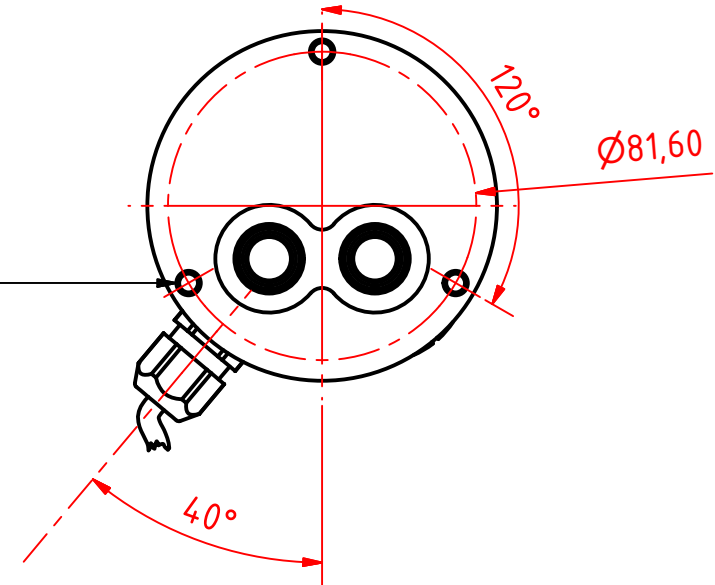
1

1



(1 : 2)

Mounting Hole
M6x1 - 10,0mm DEEP



200-014 - 360° Red, 400-034 Promount,
Cable Side

DRAWING NO.: 200-014 C	REV. NO.: 0	SIZE: A3	DRAWN BY: Friisen
SCALE: 1:1	TOLERANCES: DS/ISO 2768-f	REVIEWED BY:	CREATION DATE: 20-08-2014

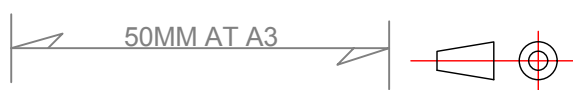
MATERIAL DESCRIPTION:
EN 6082 Alu, Acrylic. (20µ) Silver anodized according to EN ISO 7599
(50µ) Black anodized according to MIL-A 8625F

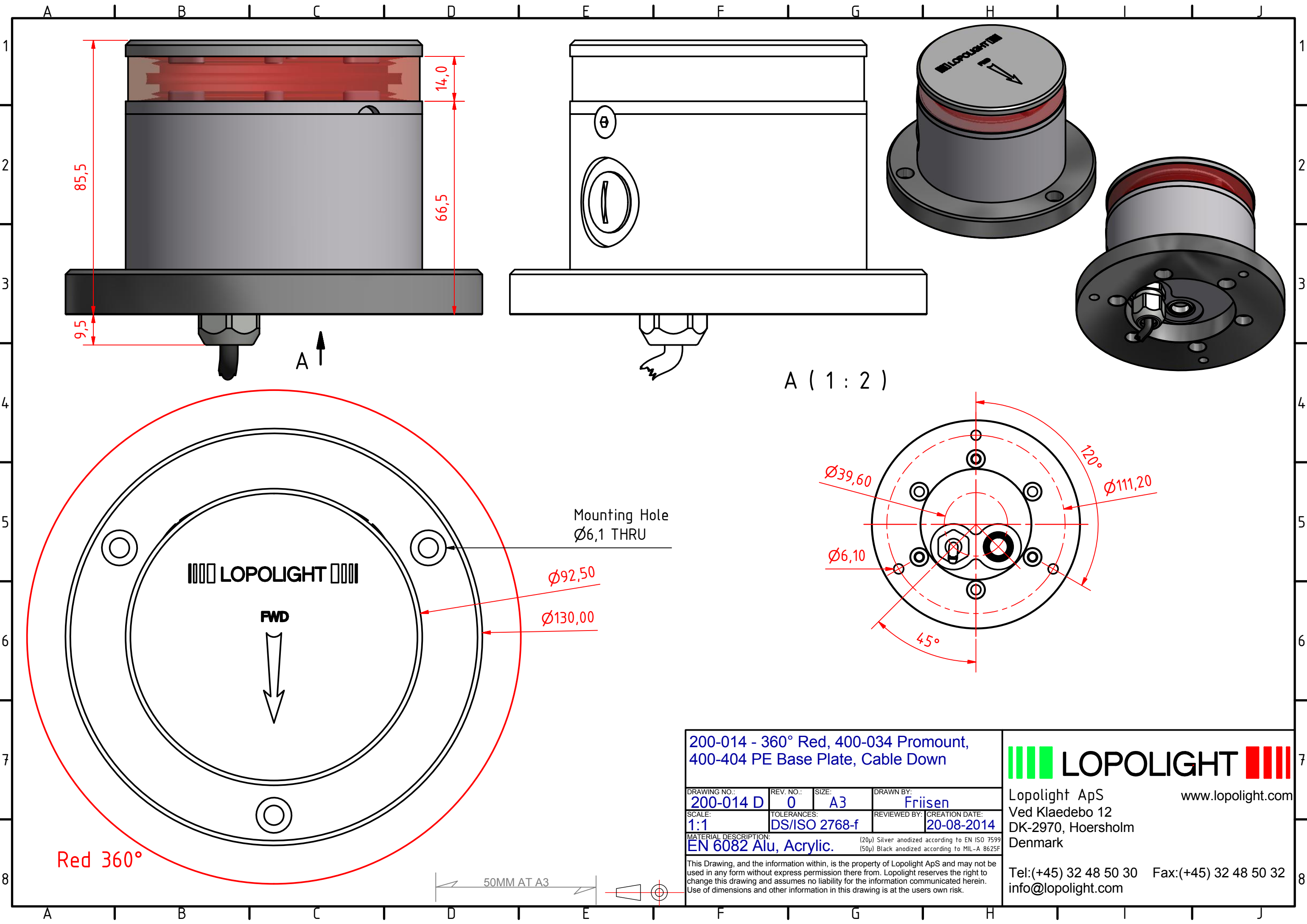
This Drawing, and the information within, is the property of Lopolight ApS and may not be used in any form without express permission there from. Lopolight reserves the right to change this drawing and assumes no liability for the information communicated herein. Use of dimensions and other information in this drawing is at the users own risk.



Lopolight ApS
Ved Klaedebo 12
DK-2970, Hoersholm
Denmark

Tel:(+45) 32 48 50 30 Fax:(+45) 32 48 50 32
info@lopolight.com





200-014 - 360° Red, 400-034 Promount,
400-404 PE Base Plate, Cable Down

DRAWING NO.:	REV. NO.:	SIZE:	DRAWN BY:
200-014 D	0	A3	Friisen
SCALE:	TOLERANCES:	REVIEWED BY:	CREATION DATE:
1:1	DS/ISO 2768-f		20-08-2014

MATERIAL DESCRIPTION:
EN 6082 Alu, Acrylic. (20µ) Silver anodized according to EN ISO 7599
(50µ) Black anodized according to MIL-A 8625F

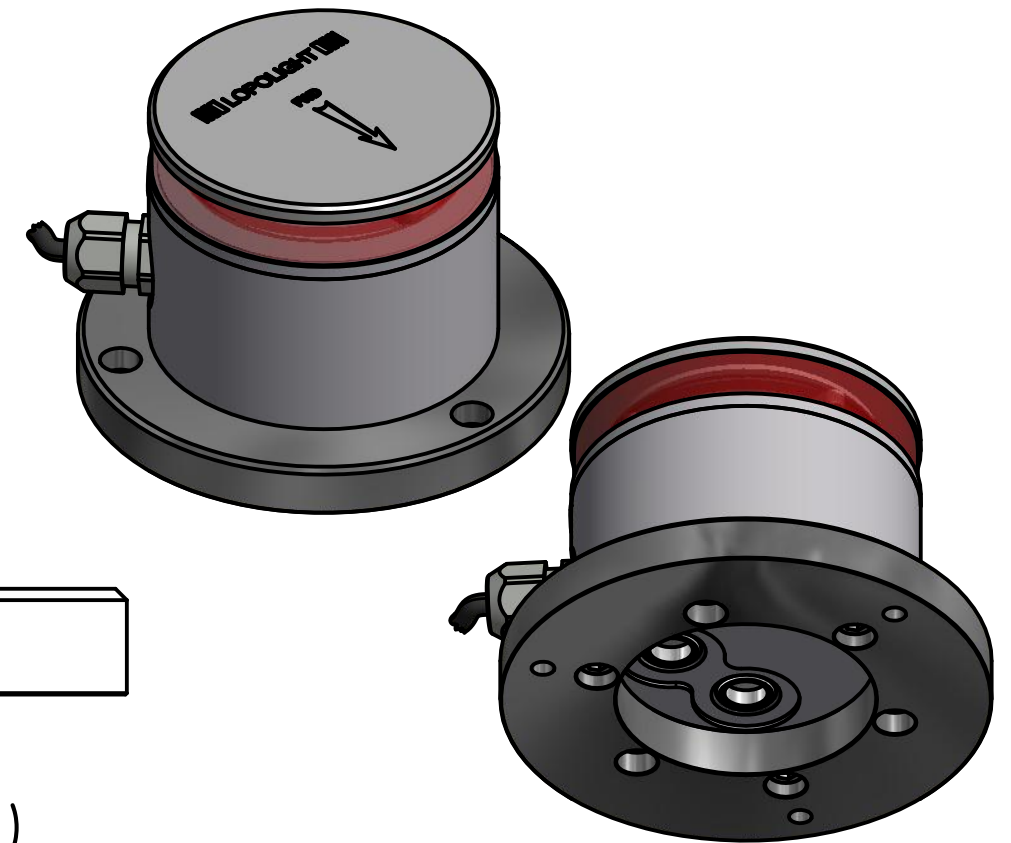
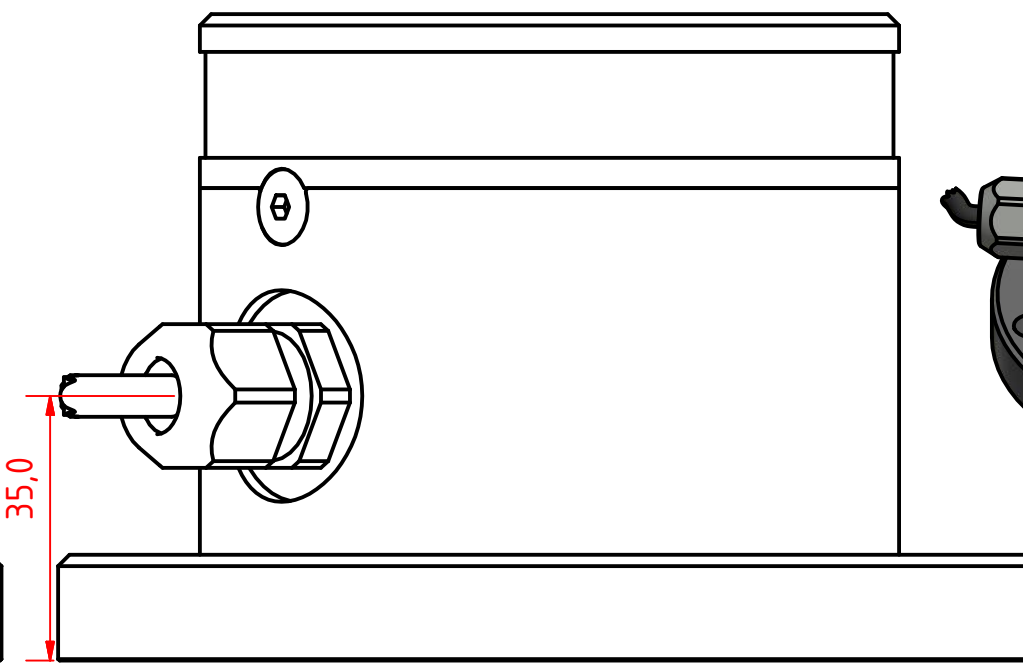
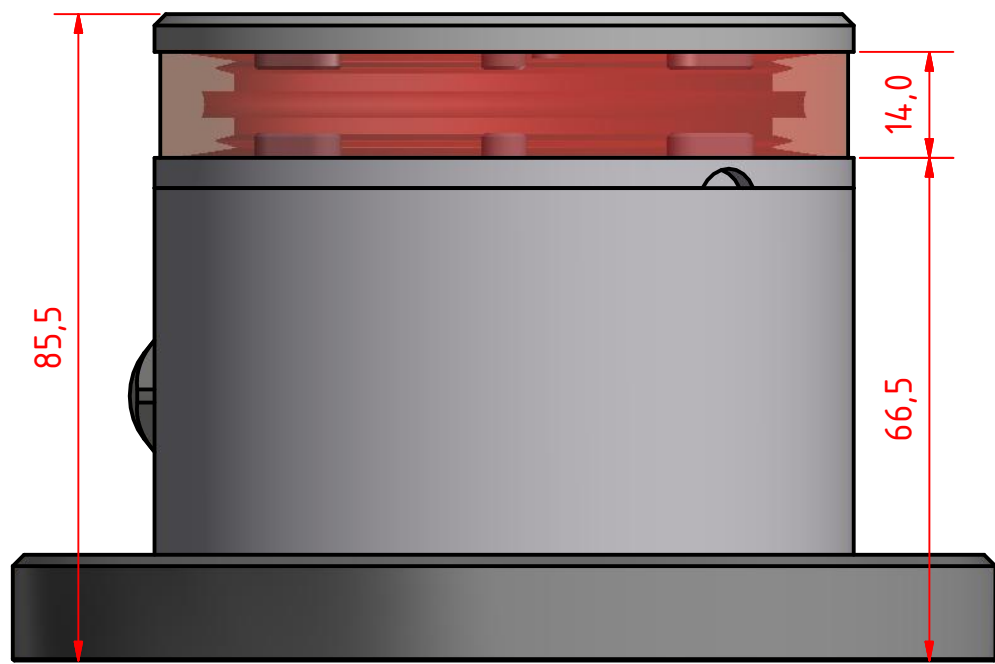
This Drawing, and the information within, is the property of Lopolight ApS and may not be used in any form without express permission there from. Lopolight reserves the right to change this drawing and assumes no liability for the information communicated herein. Use of dimensions and other information in this drawing is at the users own risk.

LOPOLIGHT

Lopolight ApS
Ved Klaedebo 12
DK-2970, Hoersholm
Denmark

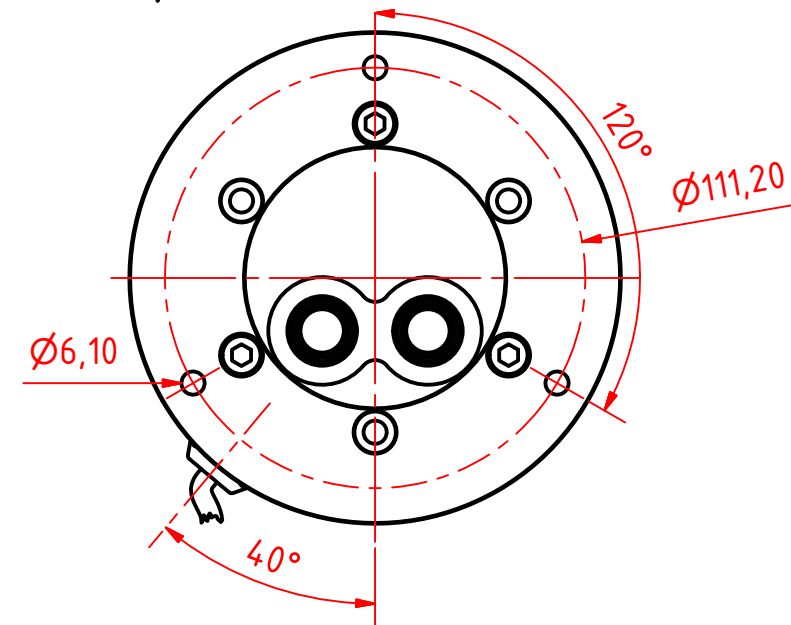
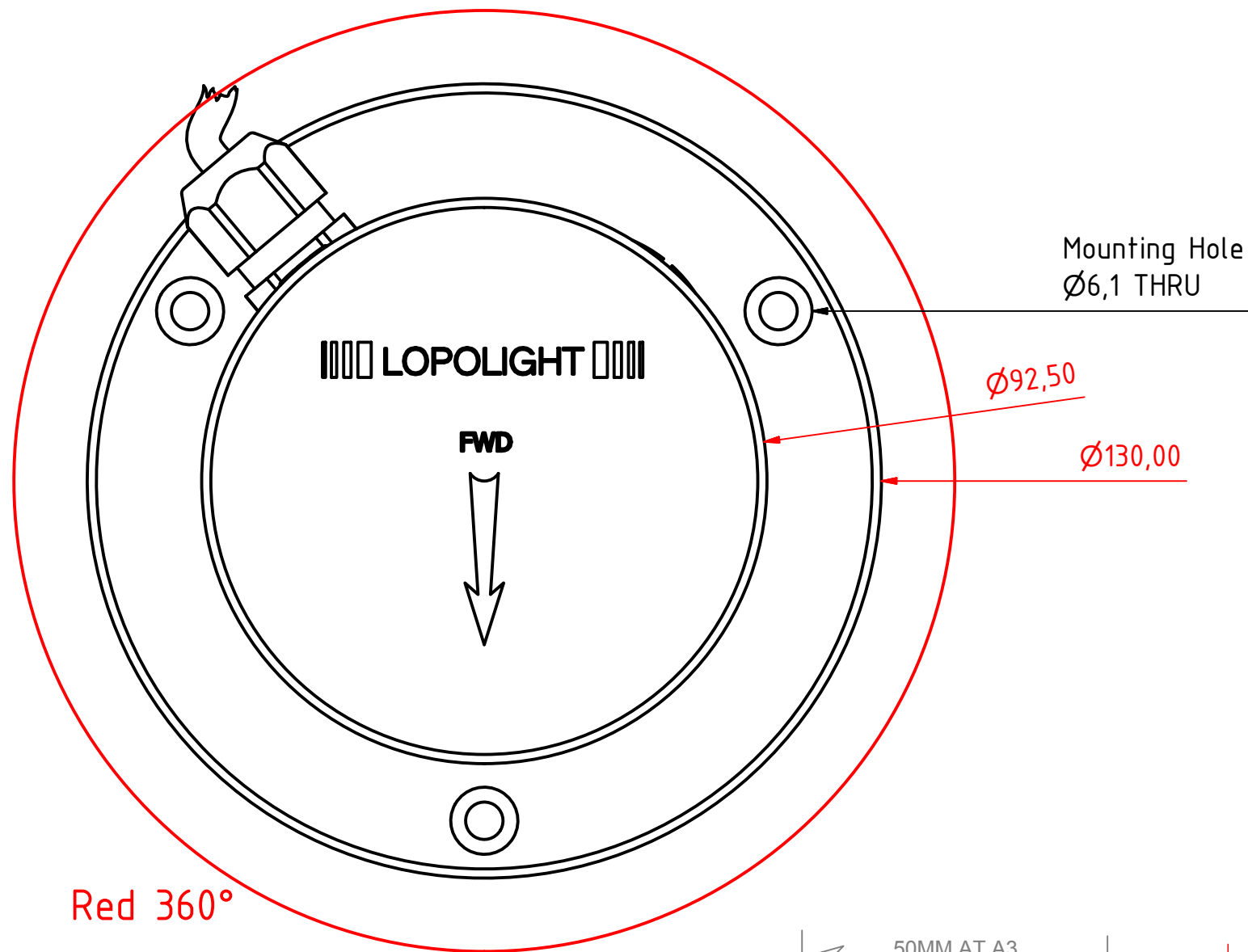
www.lopolight.com

Tel:(+45) 32 48 50 30 Fax:(+45) 32 48 50 32
info@lopolight.com



B ↑

B (1 : 2)



200-014 - 360° Red, 400-034 Promount,
400-404 PE Base Plate, Cable Side

DRAWING NO.:	REV. NO.:	SIZE:	DRAWN BY:
200-014 E	0	A3	Friisen
SCALE:	TOLERANCES:	REVIEWED BY:	CREATION DATE:
1:1	DS/ISO 2768-f		20-Aug-2014

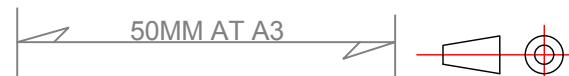
MATERIAL DESCRIPTION:
EN 6082 Alu, Acrylic. (20µ) Silver anodized according to EN ISO 7599
(50µ) Black anodized according to MIL-A 8625F

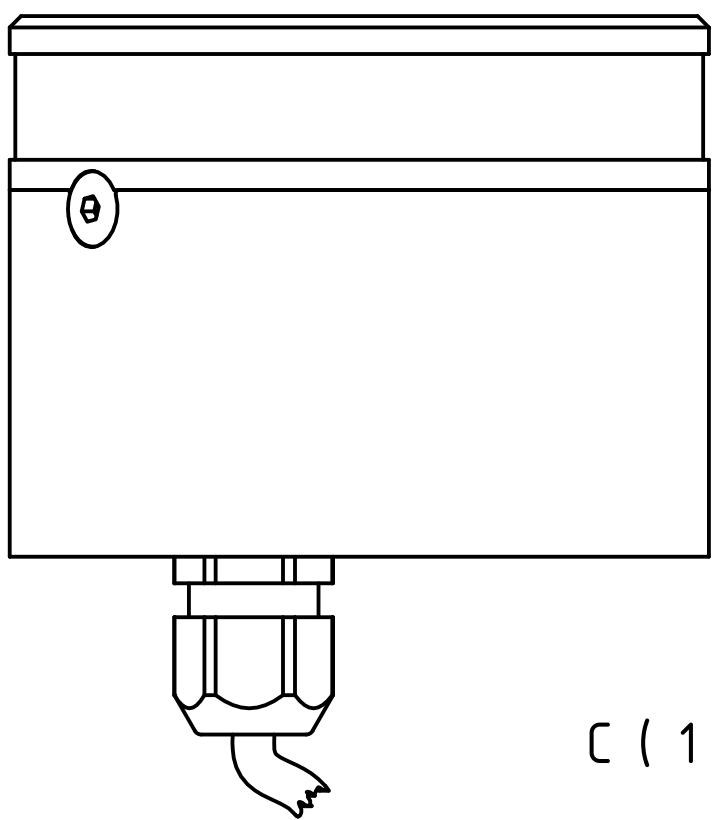
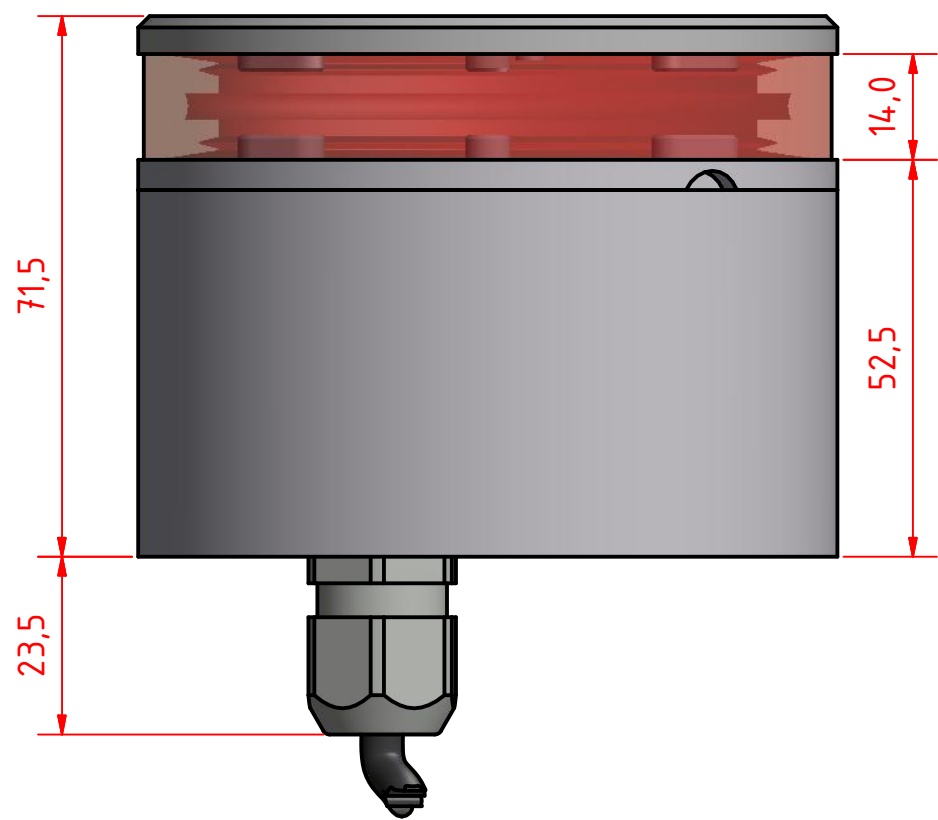
This Drawing, and the information within, is the property of Lopolight ApS and may not be used in any form without express permission there from. Lopolight reserves the right to change this drawing and assumes no liability for the information communicated herein. Use of dimensions and other information in this drawing is at the users own risk.

LOPOLIGHT

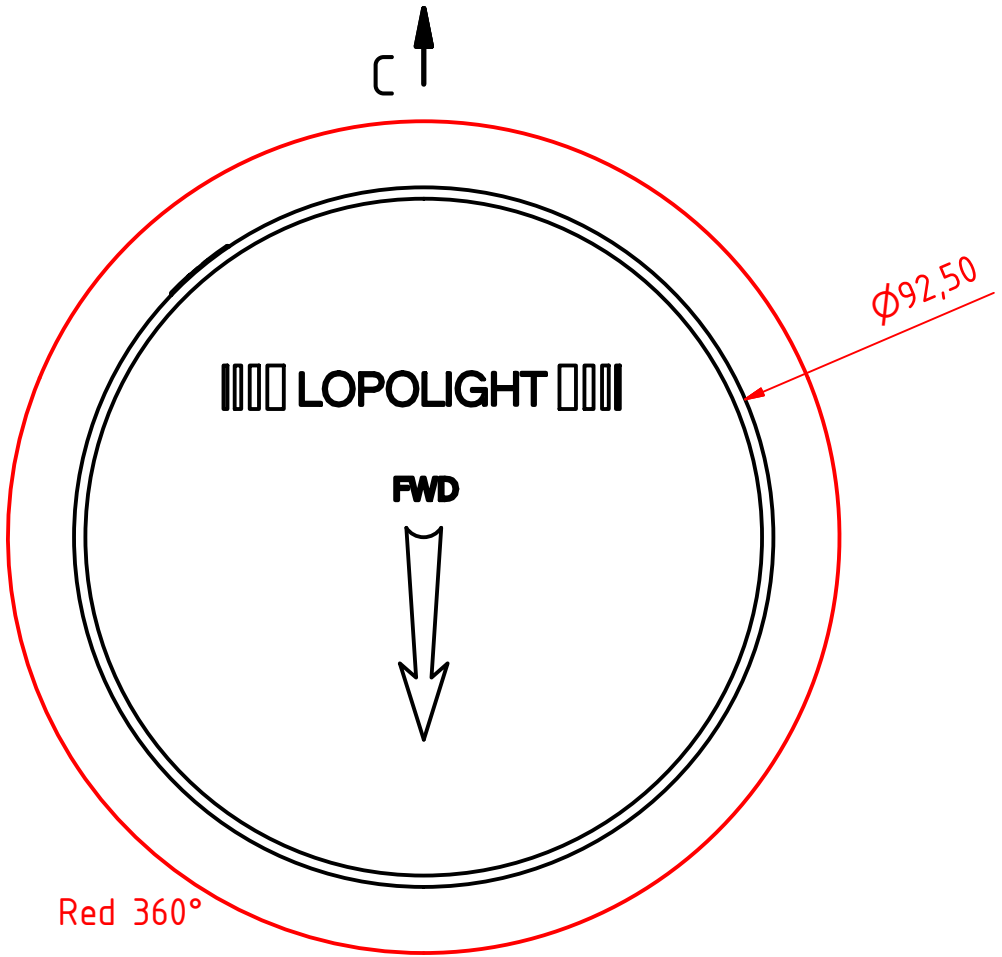
Lopolight ApS
Ved Klaedebo 12
DK-2970, Hoersholm
Denmark

Tel:(+45) 32 48 50 30 Fax:(+45) 32 48 50 32
info@lopolight.com

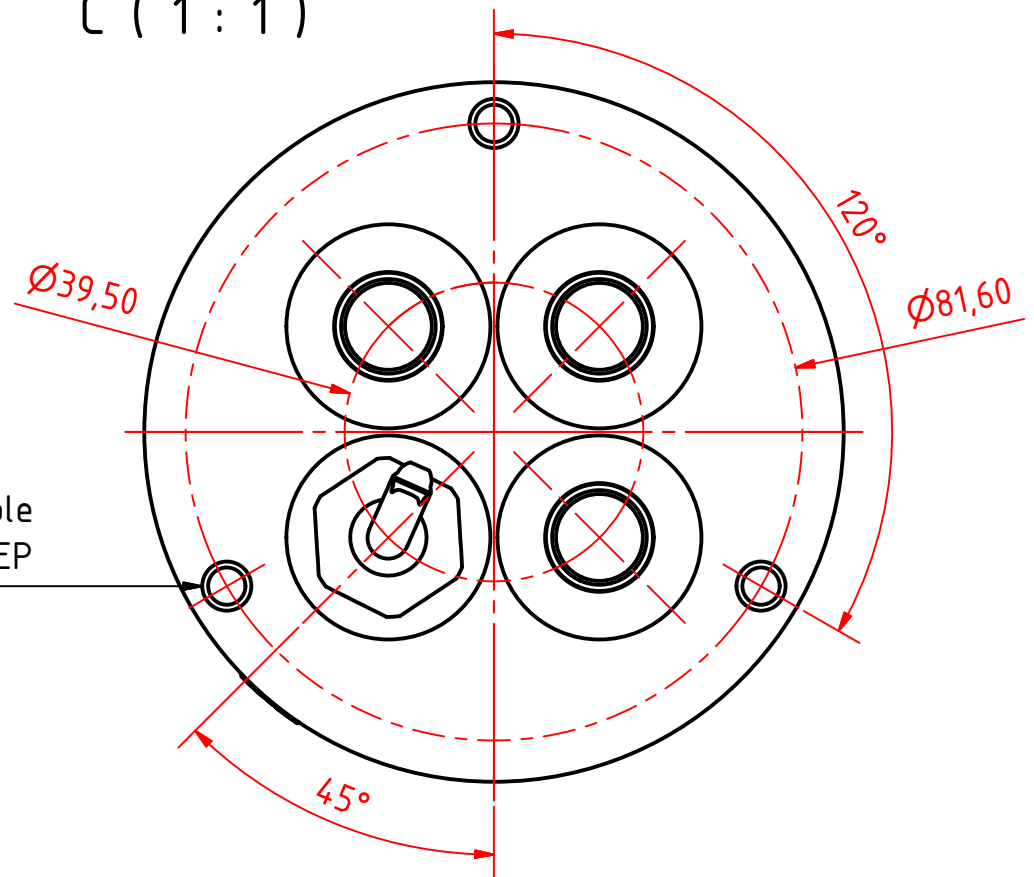




C (1:1)



Mounting Hole
M6x1 - 8,0mm DEEP



200-014 - 360° Red, 400-035 Promount,
Cable Down.

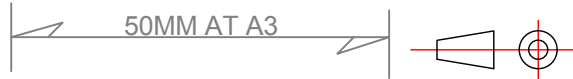
DRAWING NO.: 200-014 F	REV. NO.: 0	SIZE: A3	DRAWN BY: Friisen
SCALE: 1:1	TOLERANCES: DS/ISO 2768-f	REVIEWED BY:	CREATION DATE: 20-Aug-2014
MATERIAL DESCRIPTION: EN 6082 Alu, Acrylic. (20µ) Silver anodized according to EN ISO 7599 (50µ) Black anodized according to MIL-A 8625F			

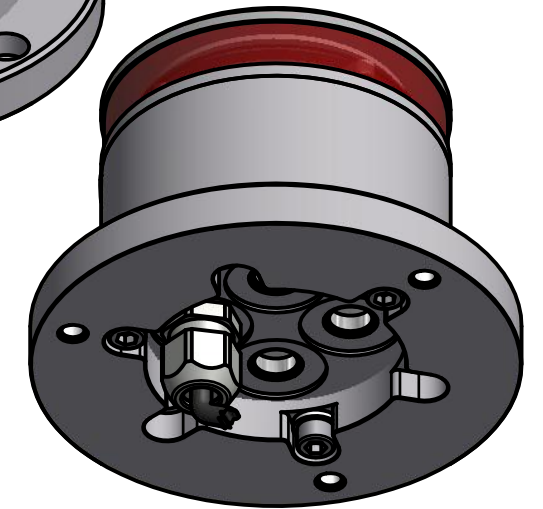
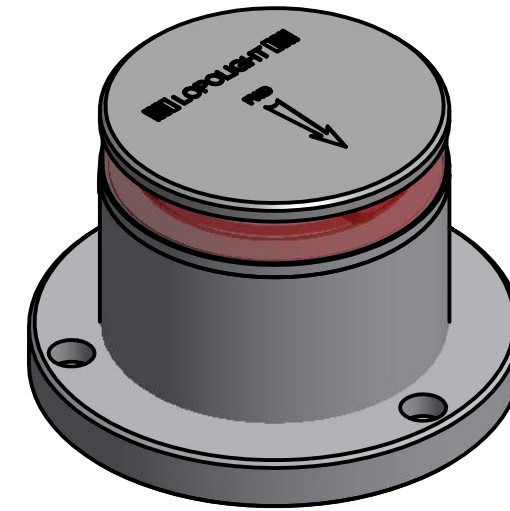
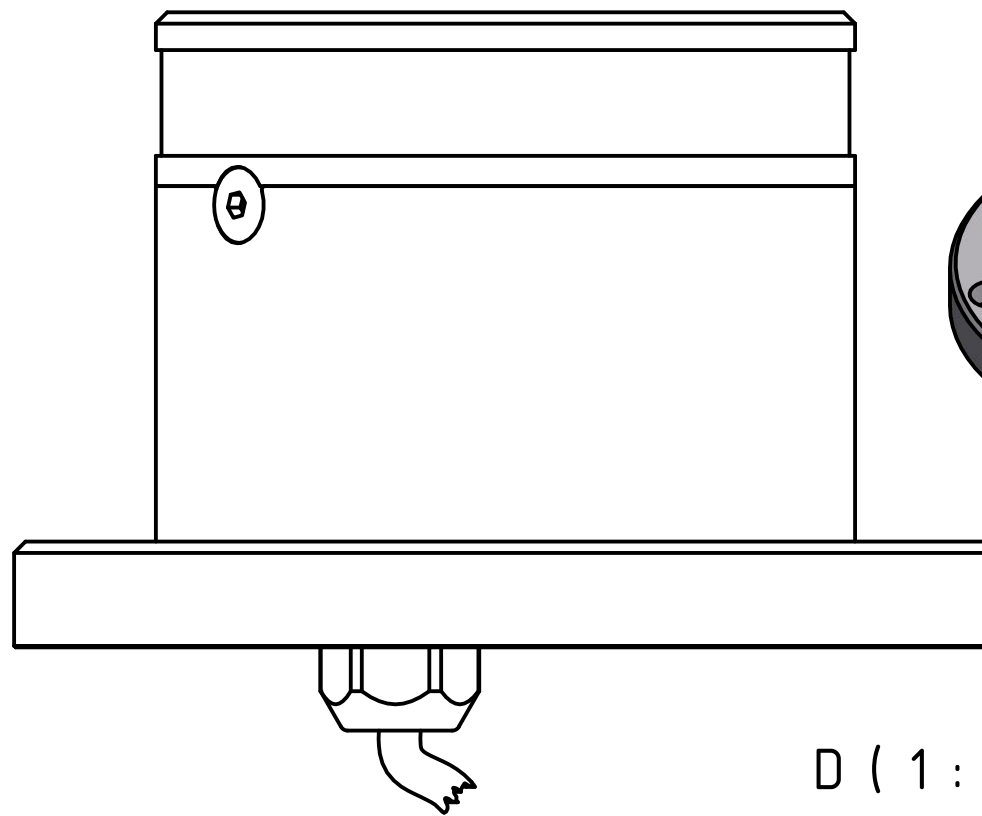
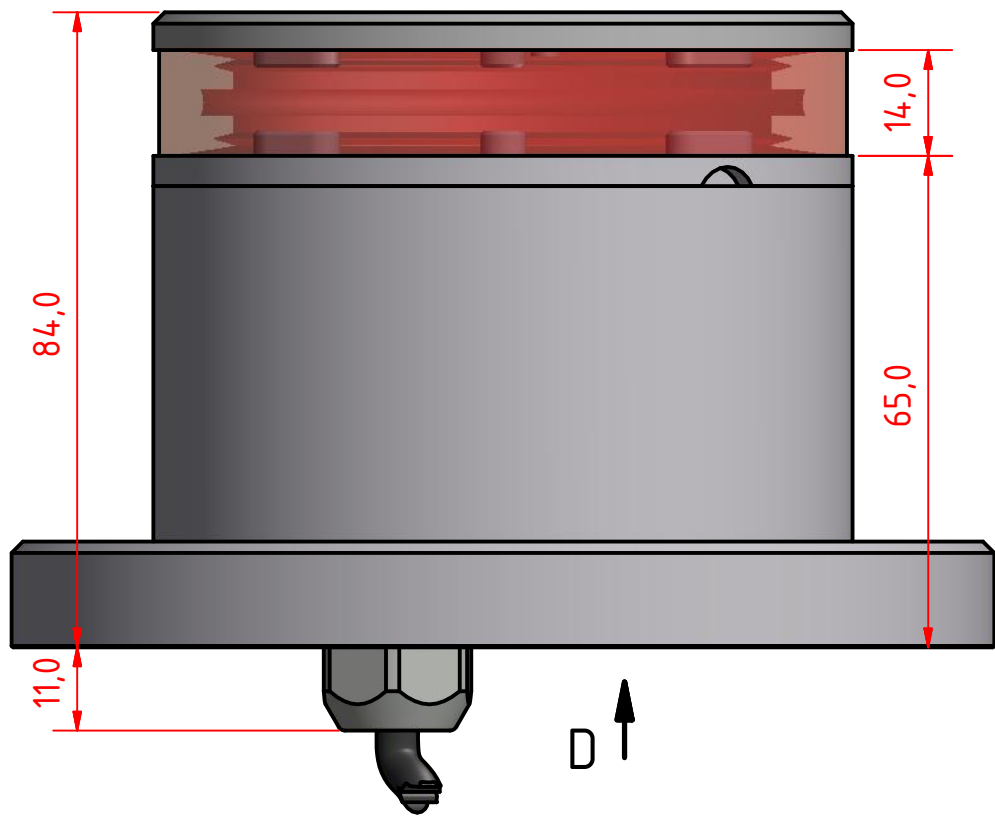
This Drawing, and the information within, is the property of Lopolight ApS and may not be used in any form without express permission there from. Lopolight reserves the right to change this drawing and assumes no liability for the information communicated herein. Use of dimensions and other information in this drawing is at the users own risk.



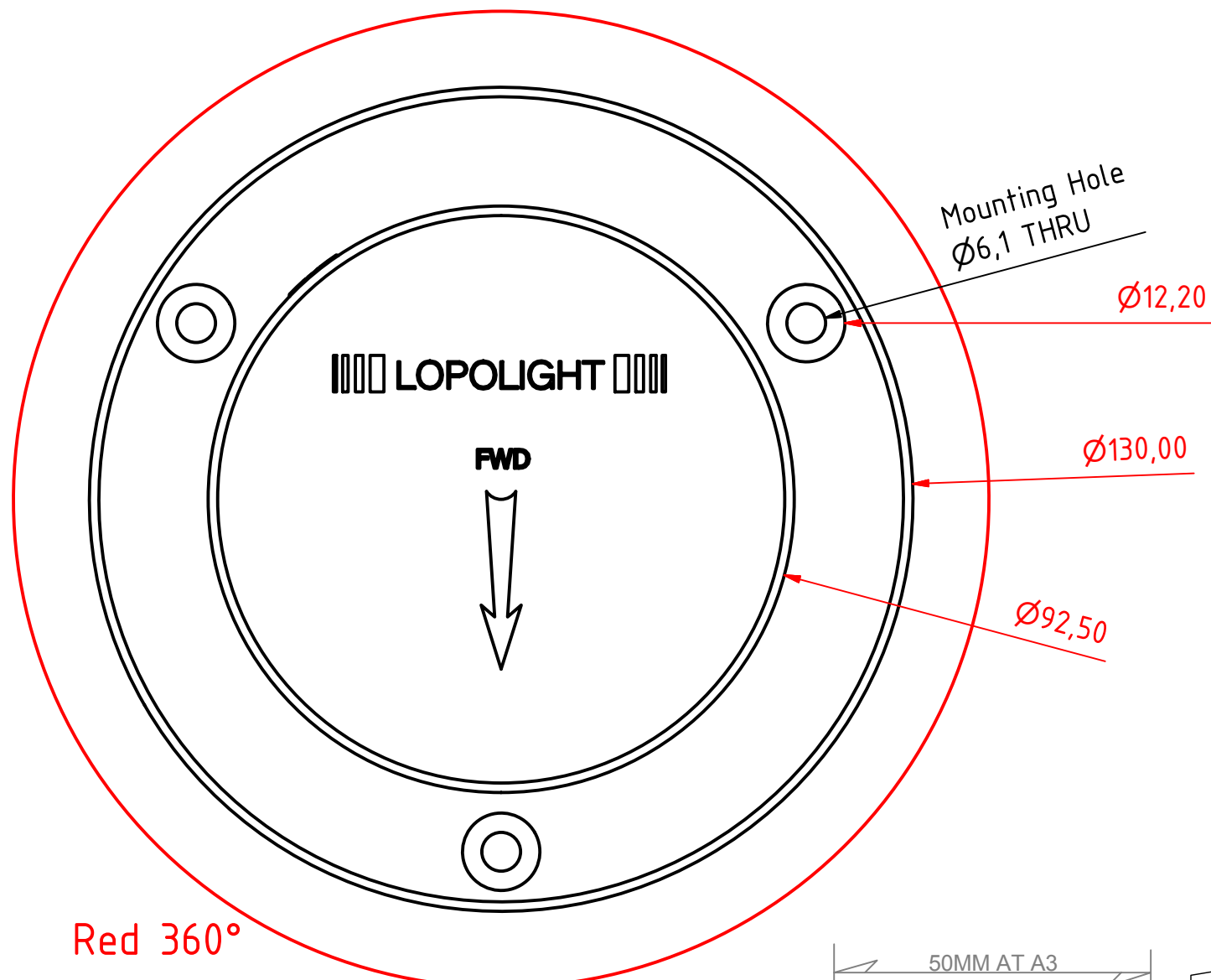
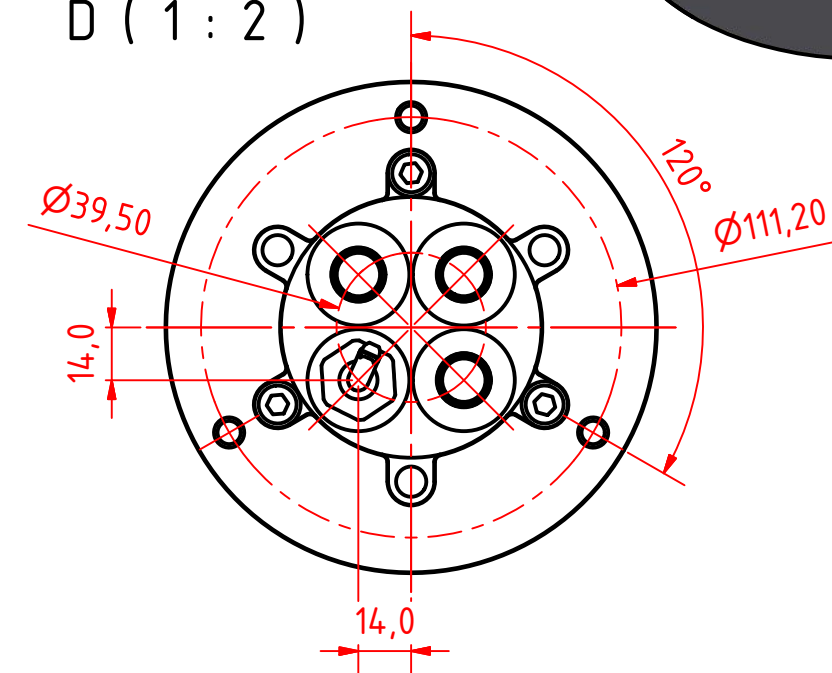
Lopolight ApS
Ved Klaedebo 12
DK-2970, Hoersholm
Denmark
www.lopolight.com

Tel:(+45) 32 48 50 30 Fax:(+45) 32 48 50 32
info@lopolight.com





D (1 : 2)



200-014 - 360° Red, 400-035 Promount,
400-401 Alu Base Plate, Cable Down.

DRAWING NO.:	REV. NO.:	SIZE:	DRAWN BY:
200-014 G	0	A3	Friisen
SCALE:	TOLERANCES:	REVIEWED BY:	CREATION DATE:
1:1	DS/ISO 2768-f		20-Aug-2014

MATERIAL DESCRIPTION:
EN 6082 Alu, Acrylic. (20µ) Silver anodized according to EN ISO 7599
(50µ) Black anodized according to MIL-A 8625F

This Drawing, and the information within, is the property of Lopolight ApS and may not be used in any form without express permission there from. Lopolight reserves the right to change this drawing and assumes no liability for the information communicated herein. Use of dimensions and other information in this drawing is at the users own risk.

LOPOLIGHT

Lopolight ApS
Ved Klaedebo 12
DK-2970, Hoersholm
Denmark

www.lopolight.com

Tel:(+45) 32 48 50 30 Fax:(+45) 32 48 50 32
info@lopolight.com

