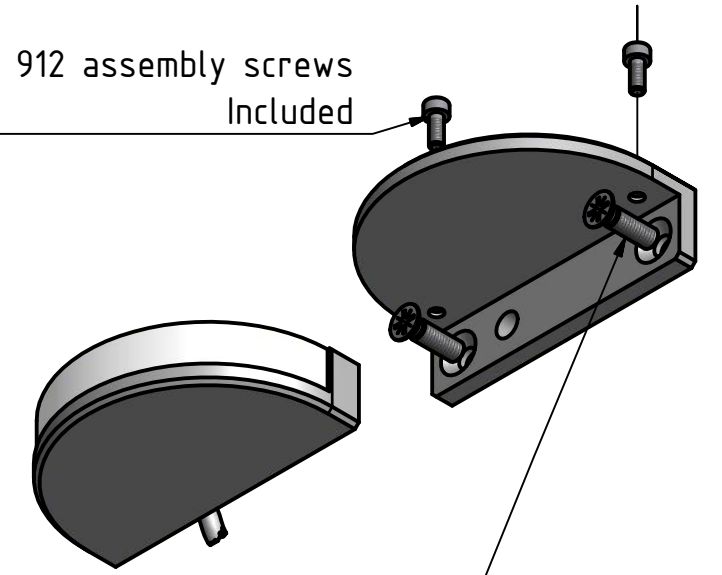


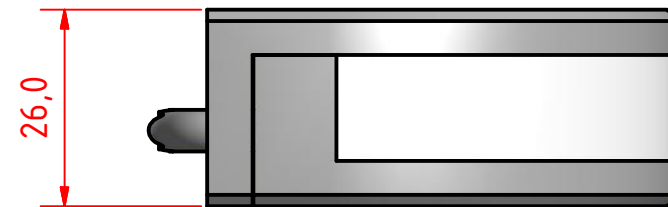
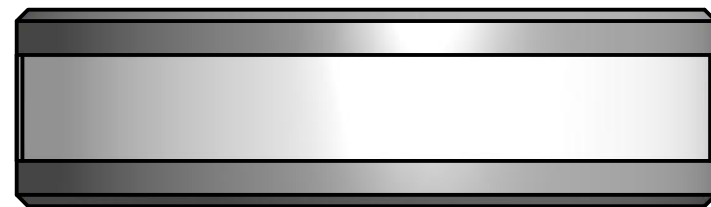
**Mounting Instructions:**

- Remove the two DIN 912 screws on the top side of the assembly, thus releasing the navigation light from its mounting bracket.
- Drill the holes for the machine screws and the cable as shown on the measurements. Thread the screw mounting holes if applicable to the specific situation.
- Mount the mounting bracket onto the super structure using two 6m countersunk machine screws. Make sure that the surface is flat and vertical.
- Resassemble the Navigation light

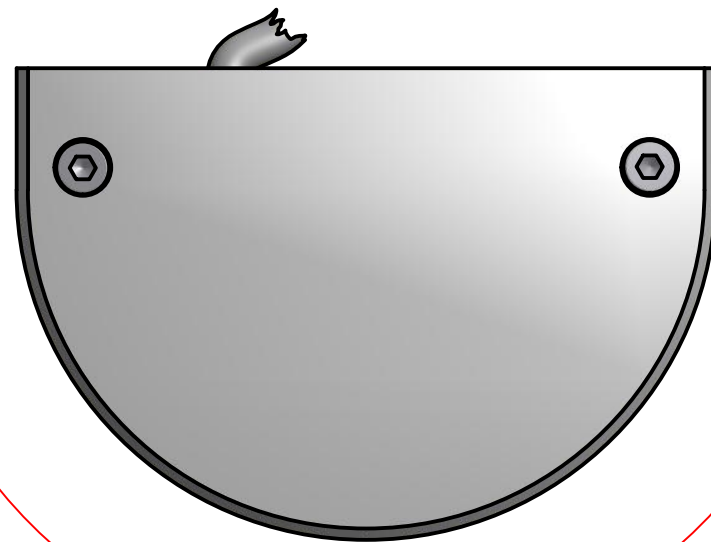
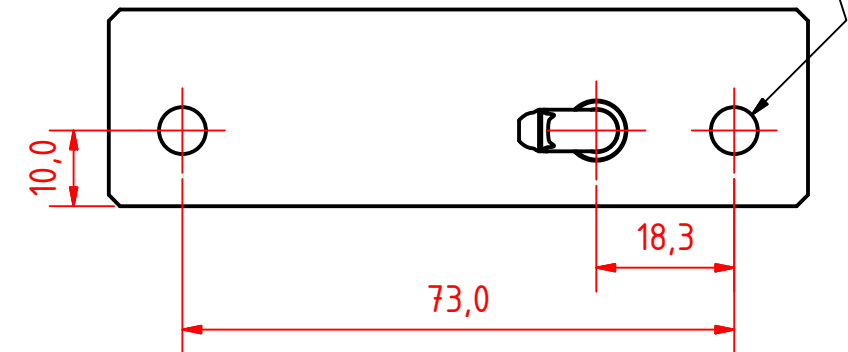
DIN 912 assembly screws  
Included



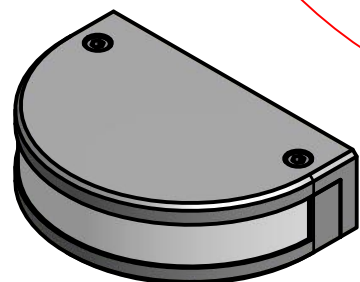
M6 counter sunk,  
mounting screws not included.



M6 Machine screw thread Typ. 2



180 deg. Red



50MM AT A3

200-016 180 degree Red, 2 Nautical Mile

DRAWING NO.: 200-016	REV. NO.: 0	SIZE: A3	DRAWN BY: Paul
-------------------------	----------------	-------------	-------------------

SCALE: 1:1	TOLERANCES: DS/ISO 2768-f	REVIEWED BY: JM
---------------	------------------------------	--------------------

MATERIAL DESCRIPTION:  
Anodized Aluminium & Acrylic Glass

This Drawing, and the information within, is the property of Lopolight ApS and may not be used in any form without express permission there from. Lopolight reserves the right to change this drawing and assumes no liability for the information communicated herein. Use of dimensions and other information in this drawing is at the users own risk.

**LOPOLIGHT**

Lopolight ApS  
Ved Klaedebo 12  
DK-2970, Hoersholm  
Denmark

www.lopolight.com

Tel:(+45) 32 48 50 30 Fax:(+45) 32 48 50 32  
info@lopolight.com