

Dear Customer

Thank you for purchasing Lopolight's unique interior/deck light.

Lopolights are based on innovative use of LED's (Light Emitting Diodes). Compared to normal incandescent navigation lights the Lopolight products are extremely tough, has a very long life (50.000 hours) and consumes a fraction of the power – in addition to this they are compact and elegant.

In addition to our interior and deck lights we also have a full range of Navigation lights for sail and powered vessels that shares the same characteristics as the interior and deck lights.

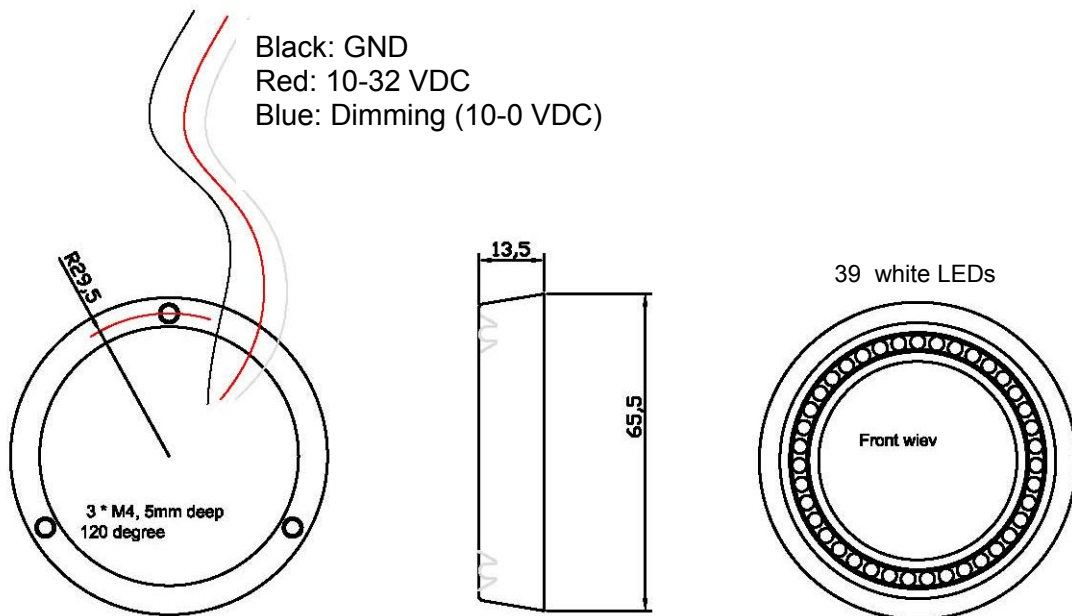
Read more about Lopolight at [www.lopolight.com](http://www.lopolight.com).

Now that you own a light that will last for many years we urge you to install it with great care, ensure that you use a good quality cable, and ensure that you connect it properly.

The Lopolight products are covered by a 5-year limited warranty.

Good luck and smooth sailing  
The Lopolight Team

Voltage: 10 – 32 volts  
Consumption: 2,2 Watt



**NEW – DIMMING ABILITY ADDED:**

- From S/N 60073026 and up
- The blue wire can be used to dim the light.
- PWM dimming
- Compatible with Lopolight PWM dimmer P/N 400-126

October 2013