



Dear Customer,

Thank you for purchasing Lopolight's unique navigation light.

Lopolight products are covered by a 5-year limited warranty.

Read more about Lopolight at www.lopolight.com.

This sheet is a general guideline showing hints and examples. Some of the examples shown may not comply fully with your Lopolight model. The general idea is that the mounting base can be shaped by the user to fit any individual mast. You can drill – cut and shape the base in any way you like, but do not destroy the 3 predrilled M4 holes. Remember that we have put a lot of effort into making Lopolight as reliable as possible – and emphasize the importance of making a proper and thorough installation of both mechanical and electric parts. Good luck!

Please do NOT use alcohol for cleaning your Lopolight – this could damage the lens.

1. Remove old masthead light, and determine if the existing holes can be used. Drill new holes if necessary.
2. Mark the holes in the mounting base. The measurement taken under point 1 must now be marked on the mounting base.
3. Drill new holes in the mounting base.
4. Connect the power cable to your onboard system. The BLACK lead is the ground, the RED lead marked is the positive (+). If your light has a secondary function (ex. Anchor light) the WHITE lead will be the positive (+) for this function. Please make sure that you select the correct fuse, typically 1A, never more than 2A. Please protect the power cable from chafe and route it away from sources of heat and large magnetic fields such as electric motors.
5. Make sure polarity is correct - Your Lopolight LED nav-light will only function if the polarity is correct. All Lopolight products accept any voltage between 10 and 32 Volt.
6. The Lopolight can now easily be fitted on to the base, Please refer to the attached drawings.

The navigation light should not be grounded.

Troubleshooting

If the light does not function:

- Check that you have a voltage between 10 and 32 volts.
- Check that the polarity is right.

End of life signalling:

Your Lopolight product has a microprocessor inside that ensures that the light has the same intensity over its 50.000 hour lifetime. The light will signal to you when it is getting to the end of its useful life.

The following signals can be seen:

All OK: 5 seconds after turning on the light it will go dark for 0,1 second and turn on again. This is just a check for you to assure that the microprocessor is working.

Less than 2000 working hours left: The dark period is extended to **2 seconds**: You should change the light at your next service within the next 12 months.

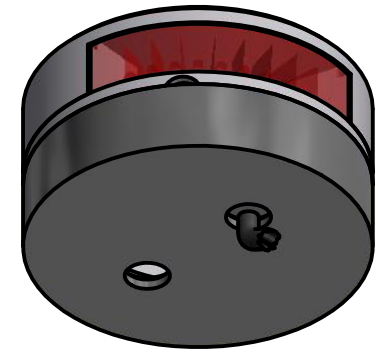
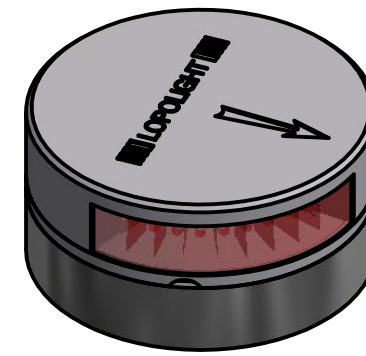
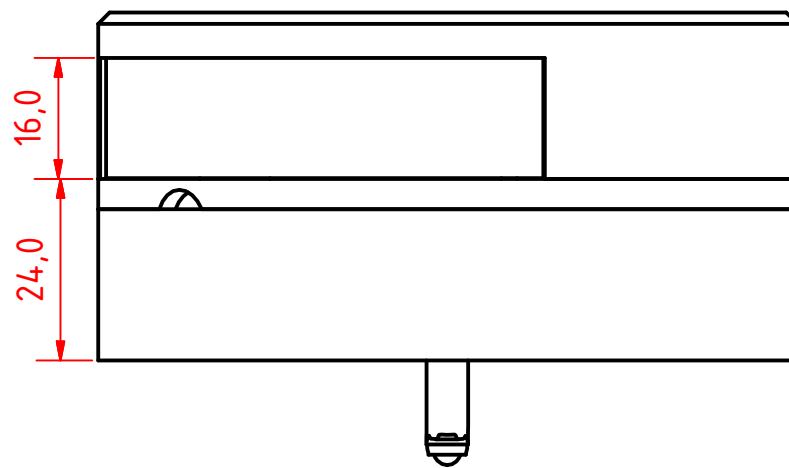
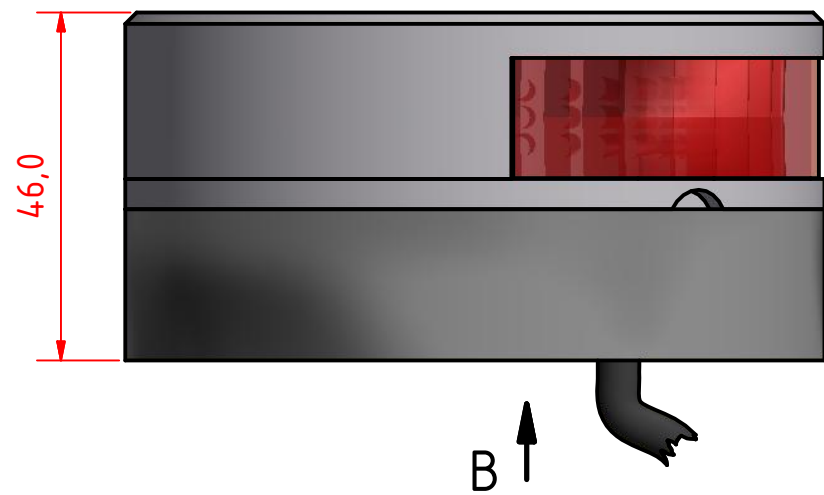
Light expired: The dark period is extended to 5 **seconds**: You should change the light immediately.

Type approval:

The light in this package complies with the following standards: EN-14744, UL-1104, COLREG72, IEC 60945

The light in this package is recognized by the following major national maritime authorities:

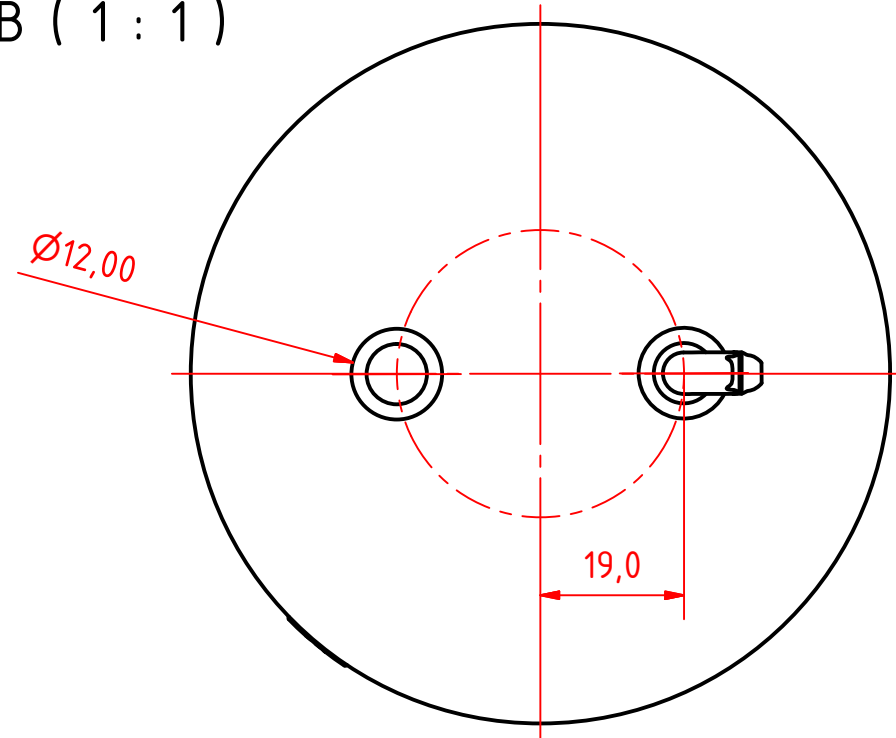
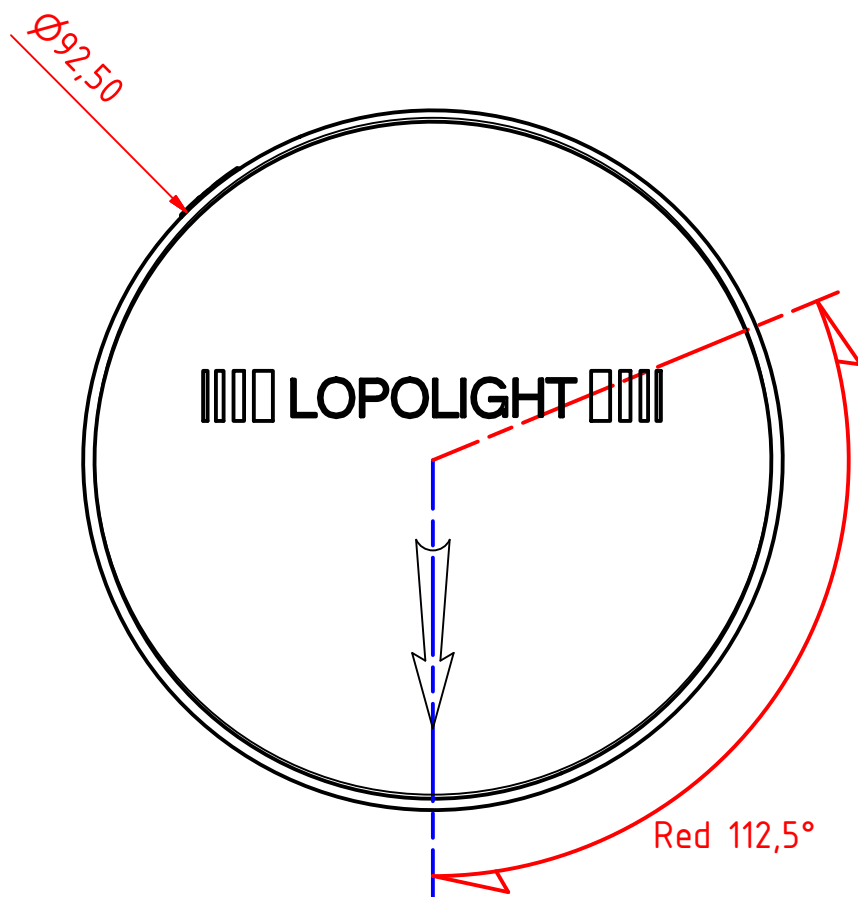
- MCA (UK), QQ-TAN-03/05-01R
- USCG (USA), approved 09-2005 under 111.075 by recognized laboratory QinetiQ



Note:

The PE Plastic base is intended for fitting on site and can be either drilled for mounting screws from above or drilled and tapped from below. 6mm machine screws with nuts and washers are recommended for secure mounting.

B (1 : 1)



300-009, Port Sidelight - Round Housing, PE Base.

DRAWING NO.: 300-009 A	REV. NO.: 0	SIZE: A3	DRAWN BY: Friisen
SCALE:	TOLERANCES: DS/ISO 2768-f	REVIEWED BY:	CREATION DATE: 07-10-2014

MATERIAL DESCRIPTION:
Alu. EN 6082, Acrylic, PE (20µ) Silver anodized according to EN ISO 7599 (50µ) Black anodized according to MIL-A 8625F

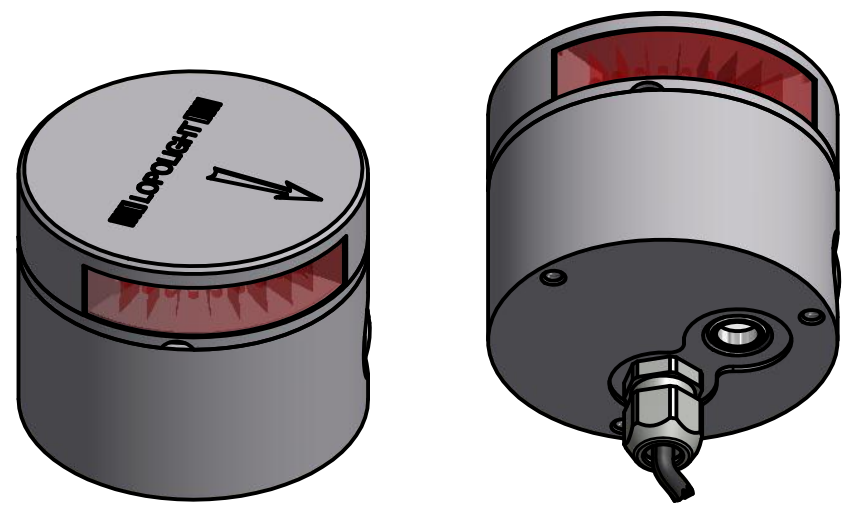
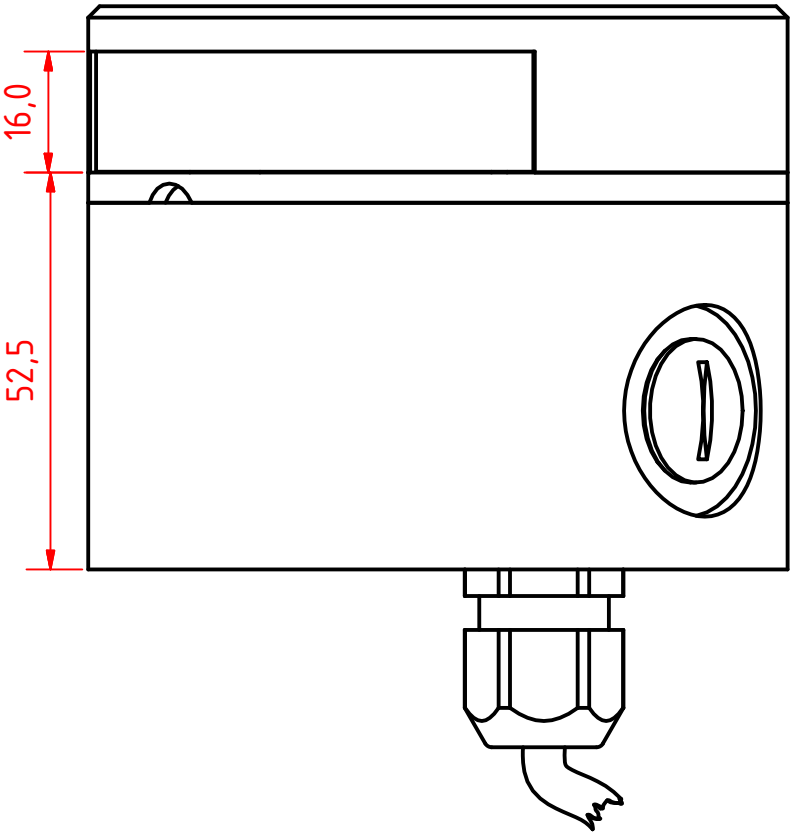
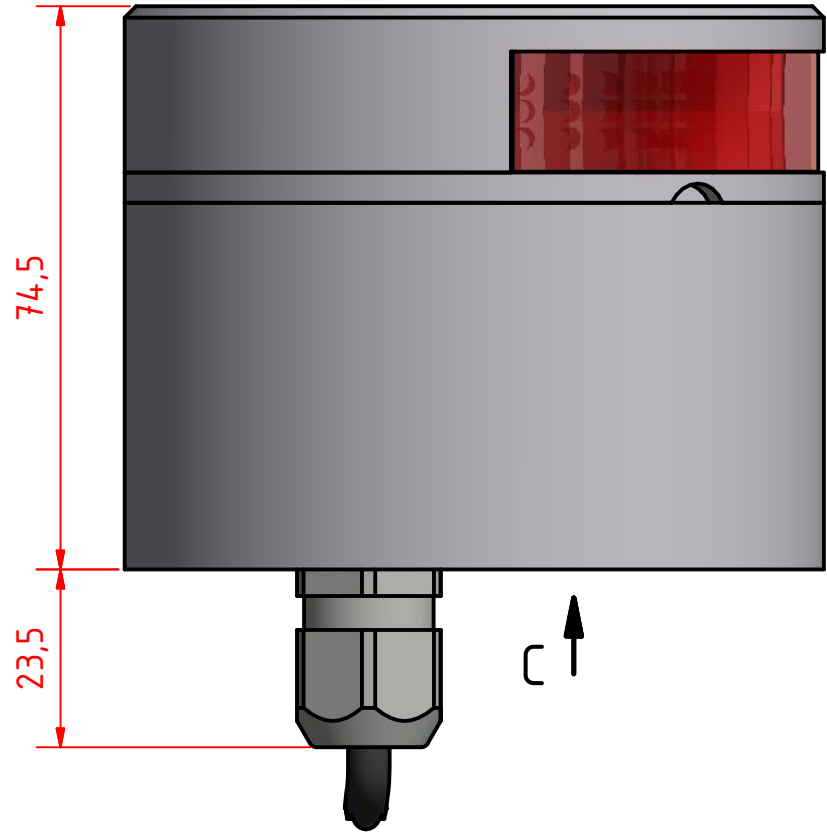
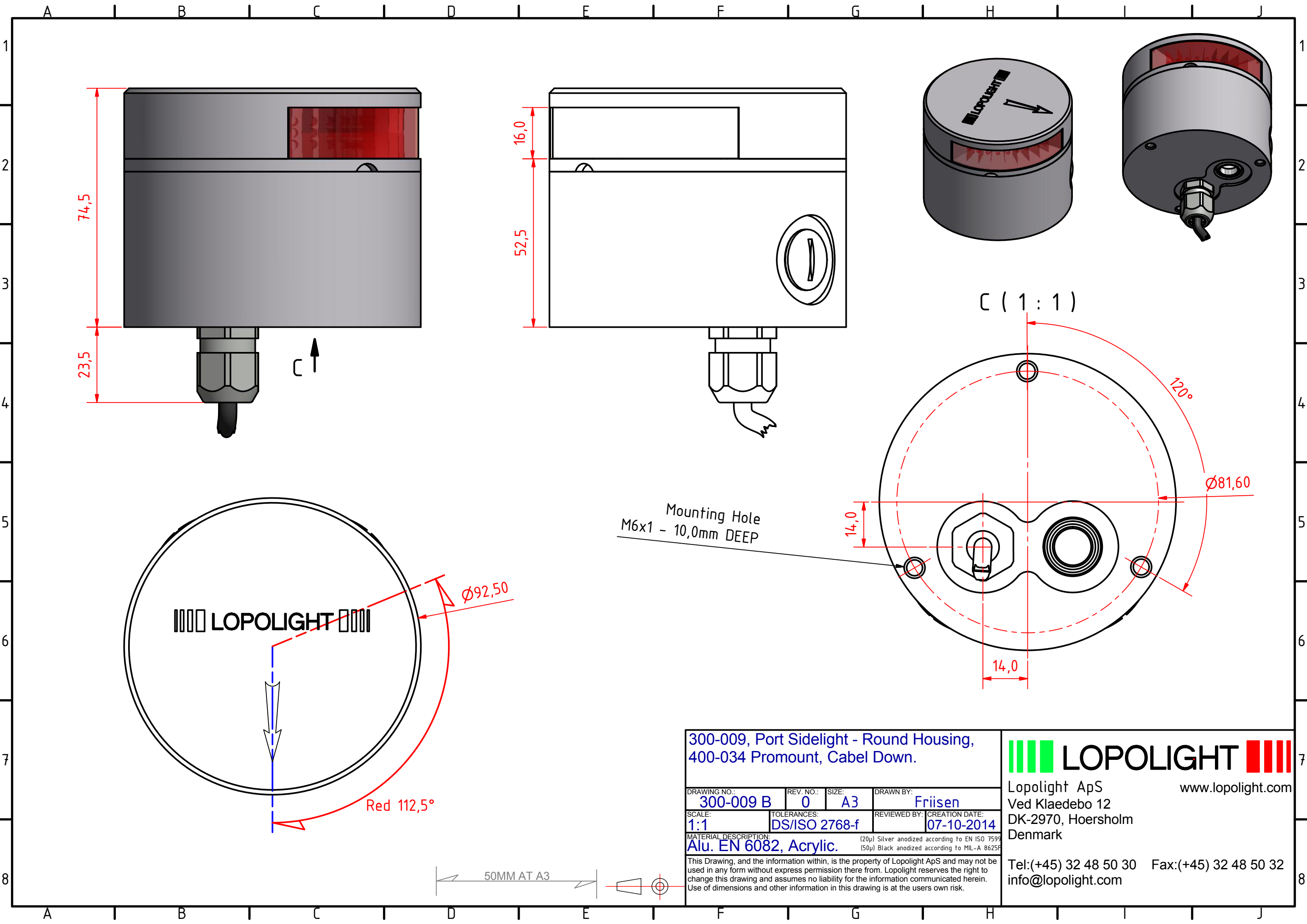
This Drawing, and the information within, is the property of Lopolight ApS and may not be used in any form without express permission there from. Lopolight reserves the right to change this drawing and assumes no liability for the information communicated herein. Use of dimensions and other information in this drawing is at the users own risk.



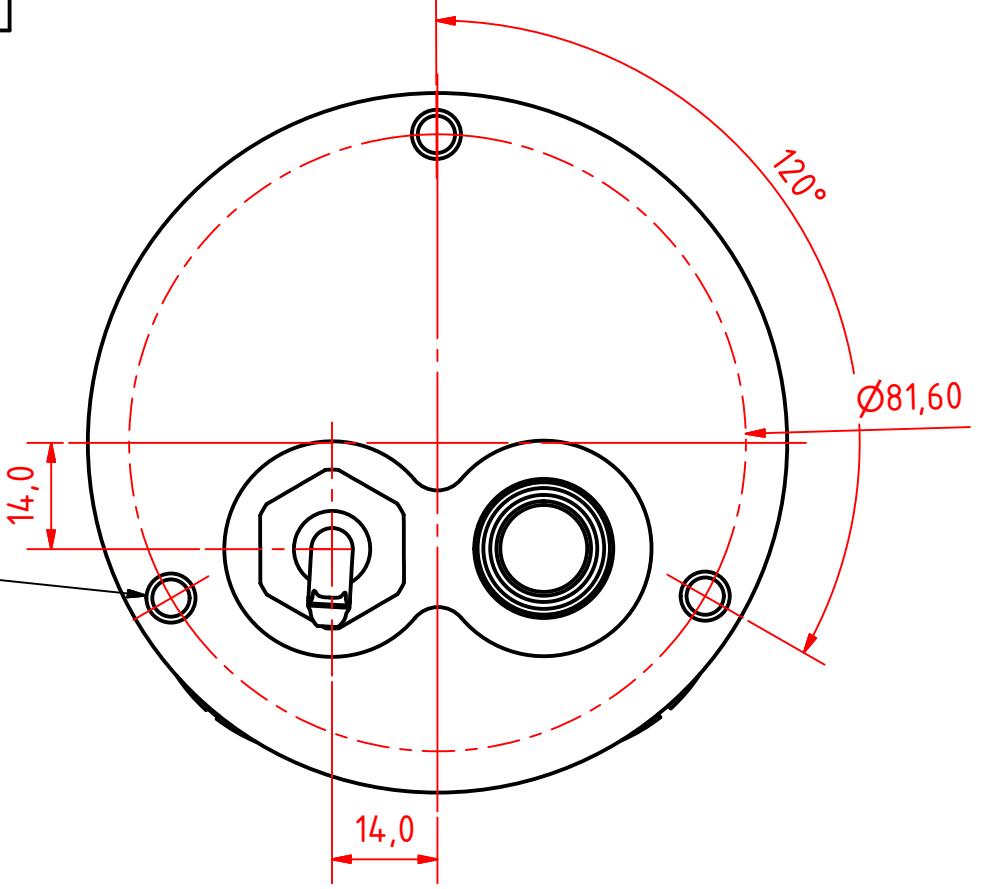
Lopolight ApS
Ved Klaedebo 12
DK-2970, Hoersholm
Denmark
www.lopolight.com

Tel:(+45) 32 48 50 30 Fax:(+45) 32 48 50 32
info@lopolight.com

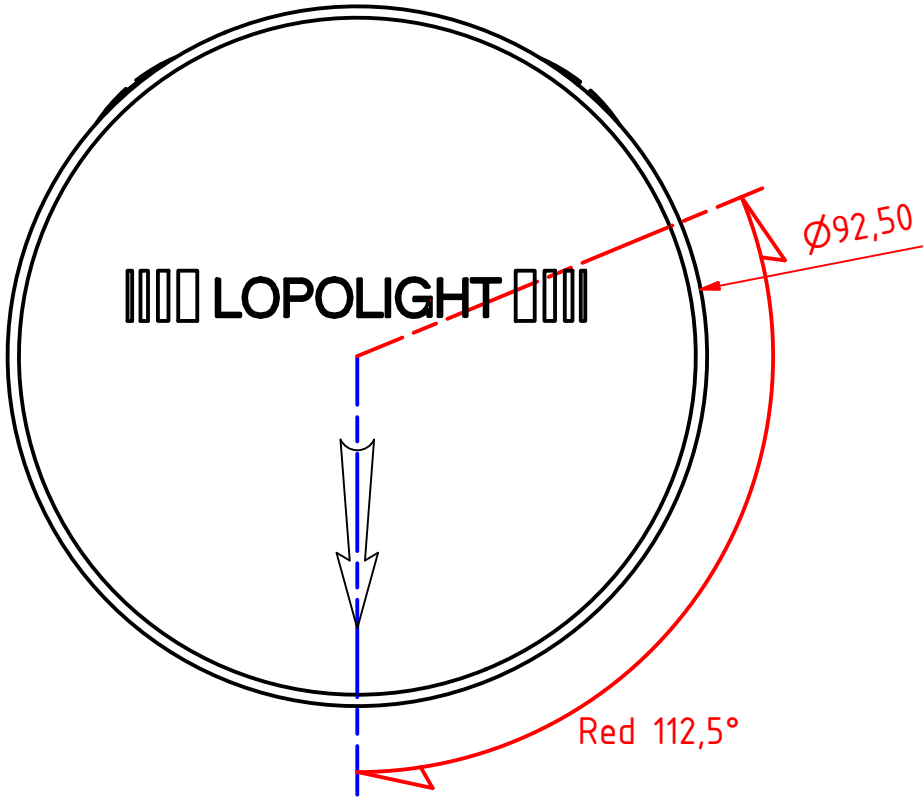




C (1:1)



Mounting Hole
M6x1 - 10,0mm DEEP



**300-009, Port Sidelight - Round Housing,
400-034 Promount, Cabel Down.**

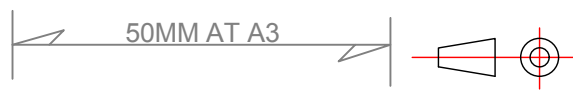
DRAWING NO.: 300-009 B	REV. NO.: 0	SIZE: A3	DRAWN BY: Friisen
SCALE: 1:1	TOLERANCES: DS/ISO 2768-f	REVIEWED BY:	CREATION DATE: 07-10-2014
MATERIAL DESCRIPTION: Alu. EN 6082, Acrylic. (20µ) Silver anodized according to EN ISO 7599 (50µ) Black anodized according to MIL-A 8625F			

LOPOLIGHT

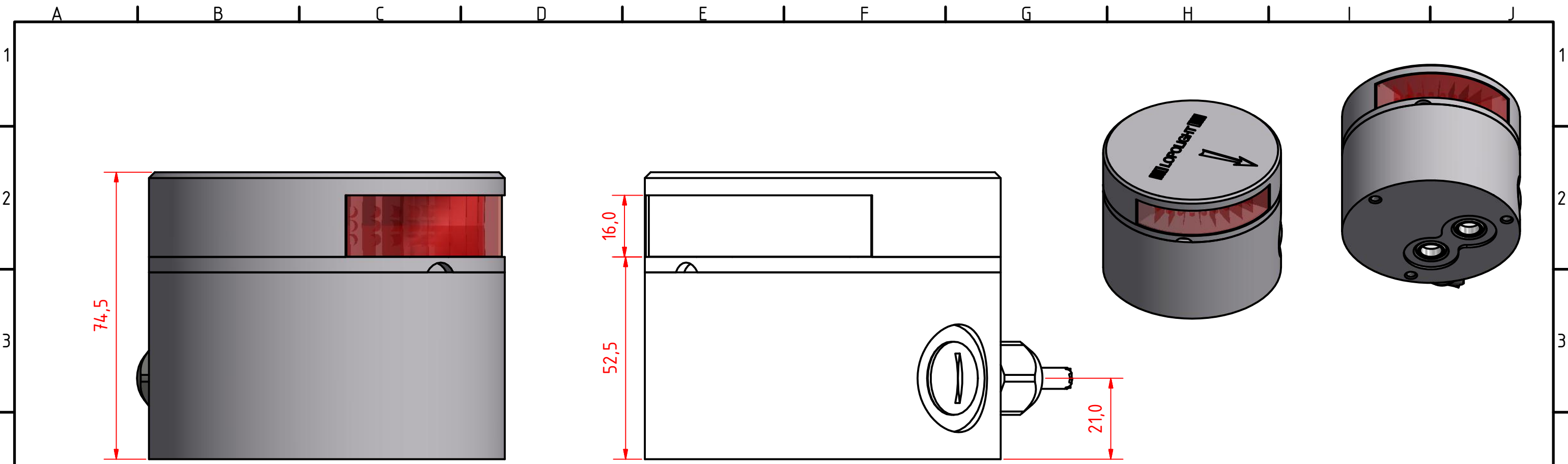
Lopolight ApS
Ved Klaedebo 12
DK-2970, Hoersholm
Denmark

www.lopolight.com

Tel:(+45) 32 48 50 30 Fax:(+45) 32 48 50 32
info@lopolight.com

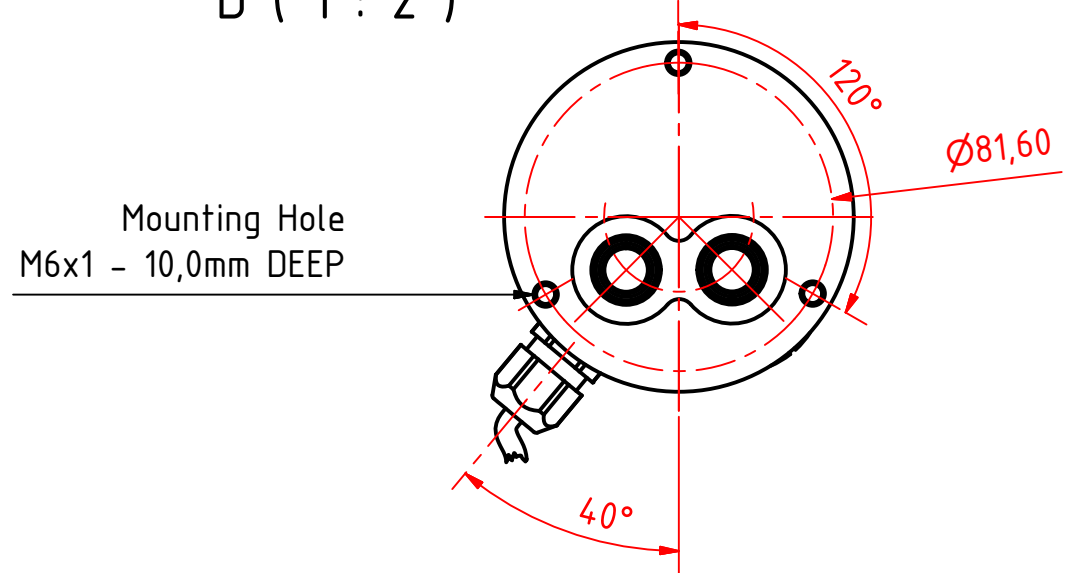
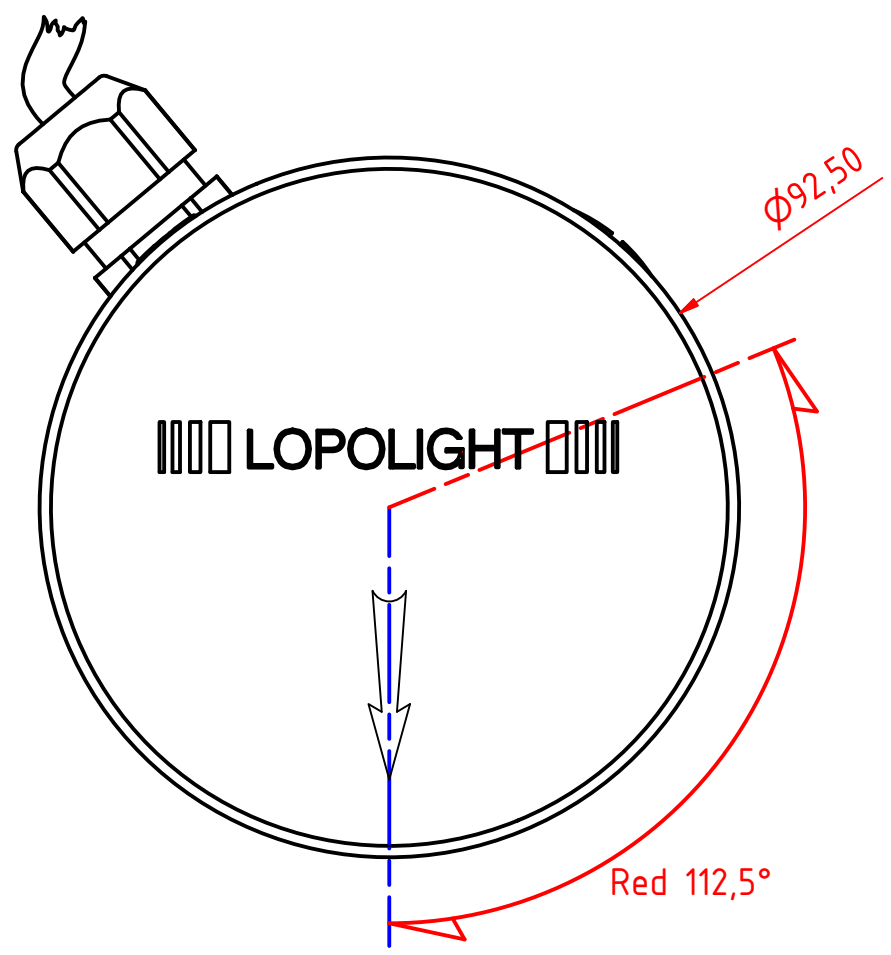


This Drawing, and the information within, is the property of Lopolight ApS and may not be used in any form without express permission there from. Lopolight reserves the right to change this drawing and assumes no liability for the information communicated herein. Use of dimensions and other information in this drawing is at the users own risk.



D ↑

D (1 : 2)



300-009, Port Sidelight - Round Housing,
400-034 Promount, Cabel Side.

DRAWING NO.: 300-009 C	REV. NO.: 0	SIZE: A3	DRAWN BY: Friisen
SCALE: 1:1	TOLERANCES: DS/ISO 2768-f	REVIEWED BY:	CREATION DATE: 07-10-2014

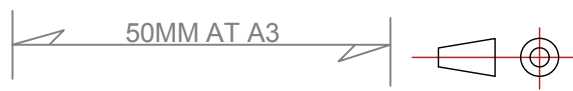
MATERIAL DESCRIPTION:
Alu. EN 6082, Acrylic. (20µ) Silver anodized according to EN ISO 7599
(50µ) Black anodized according to MIL-A 8625F

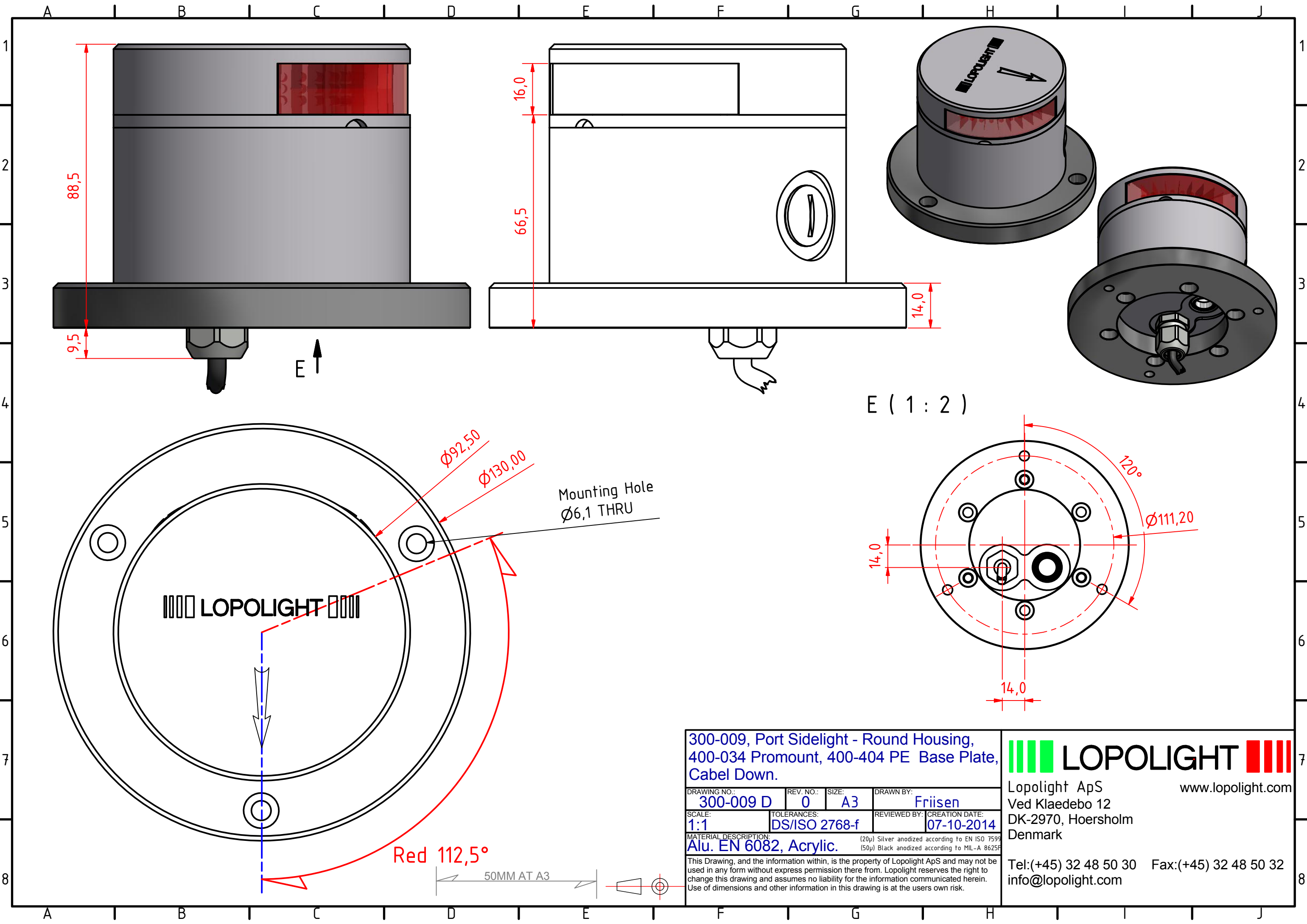
This Drawing, and the information within, is the property of Lopolight ApS and may not be used in any form without express permission there from. Lopolight reserves the right to change this drawing and assumes no liability for the information communicated herein. Use of dimensions and other information in this drawing is at the users own risk.

LOPOLIGHT

Lopolight ApS
Ved Klaedebo 12
DK-2970, Hoersholm
Denmark

Tel:(+45) 32 48 50 30 Fax:(+45) 32 48 50 32
info@lopolight.com





**300-009, Port Sidelight - Round Housing,
400-034 Promount, 400-404 PE Base Plate,
Cabel Down.**

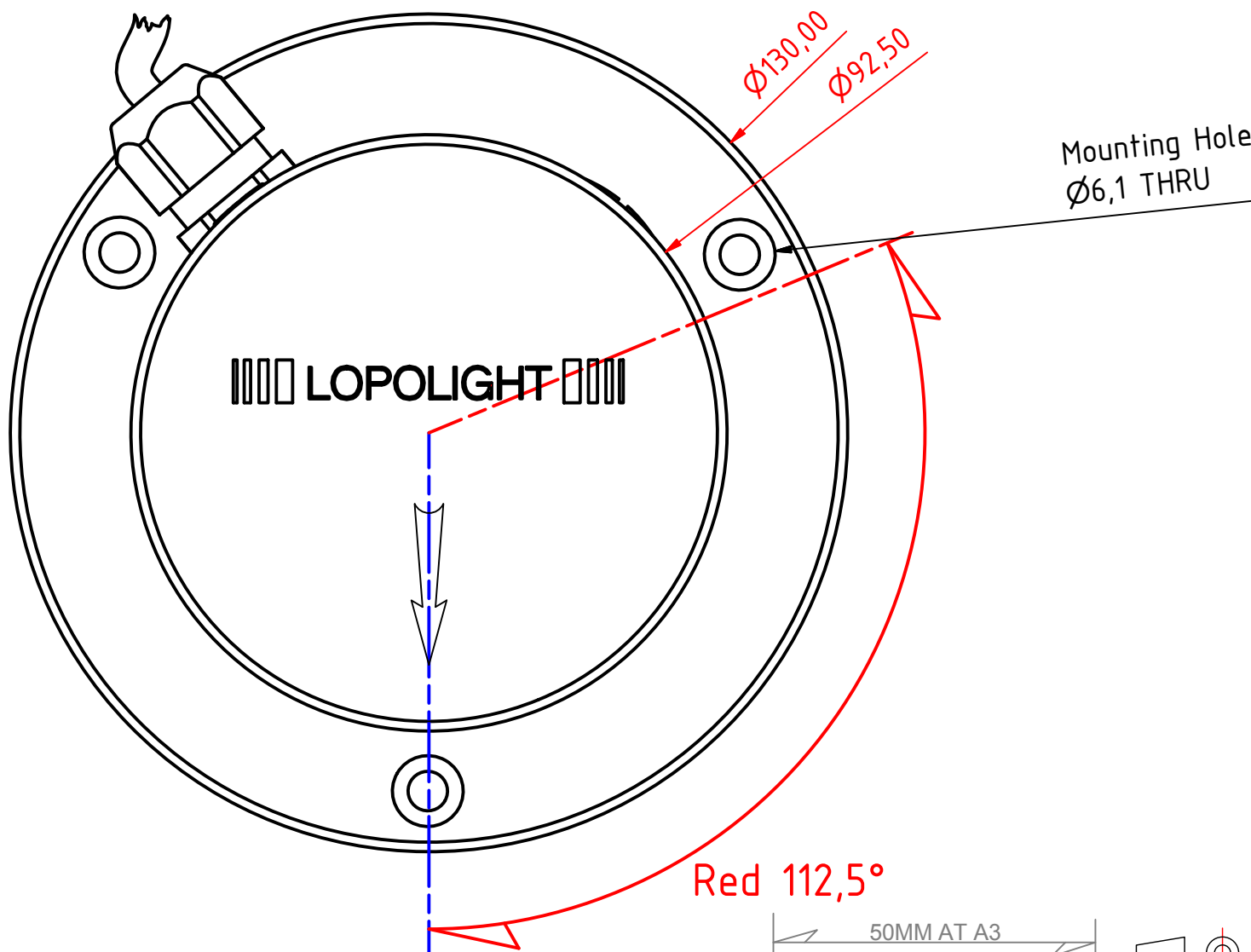
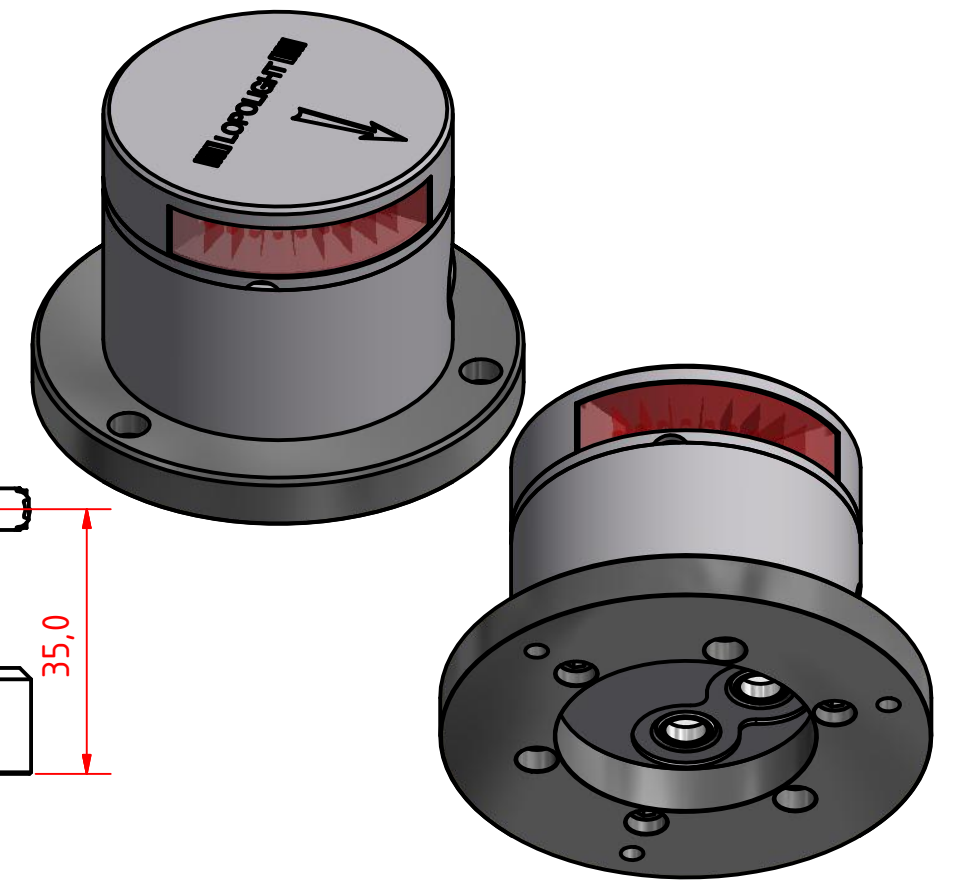
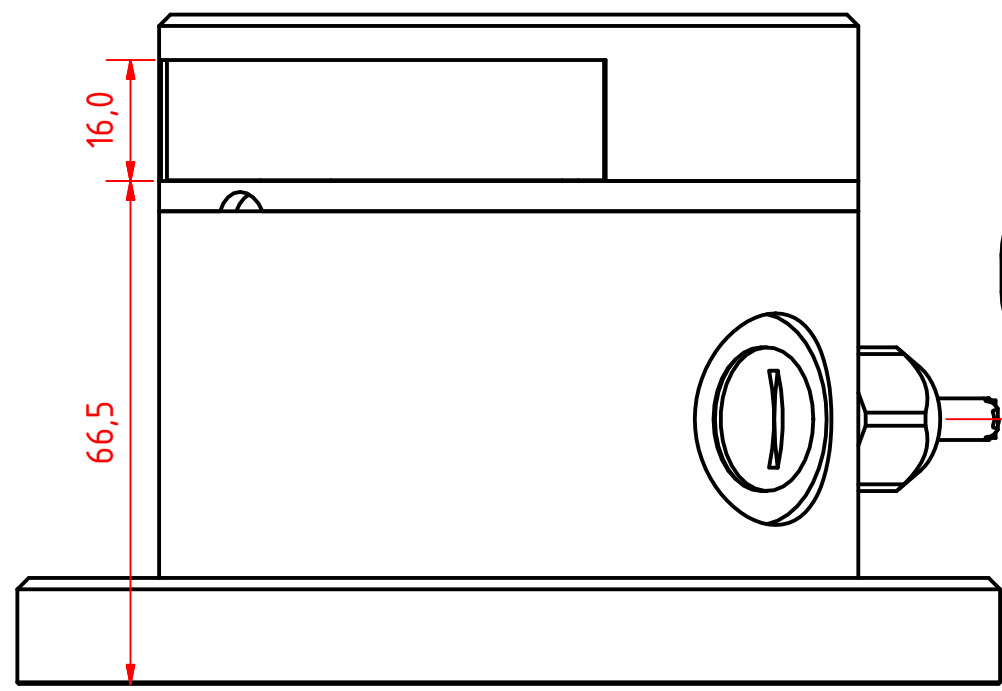
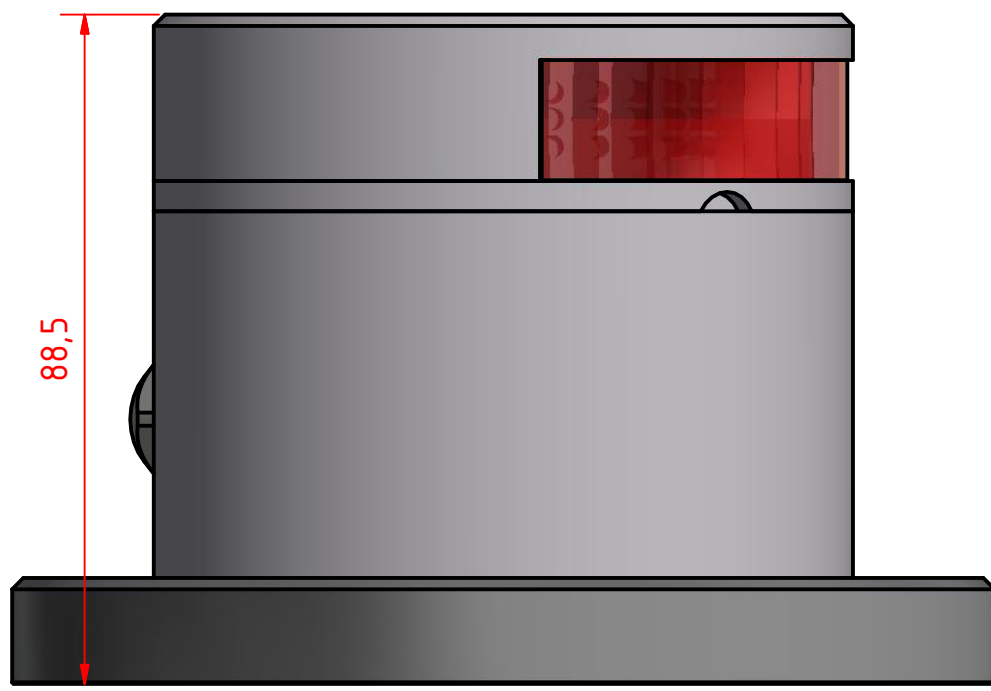
DRAWING NO.:	REV. NO.:	SIZE:	DRAWN BY:
300-009 D	0	A3	Friisen
SCALE:	TOLERANCES:	REVIEWED BY:	CREATION DATE:
1:1	DS/ISO 2768-f		07-10-2014
MATERIAL DESCRIPTION:			
Alu. EN 6082, Acrylic. (20µ) Silver anodized according to EN ISO 7599 (50µ) Black anodized according to MIL-A 8625F			
This Drawing, and the information within, is the property of Lopolight ApS and may not be used in any form without express permission there from. Lopolight reserves the right to change this drawing and assumes no liability for the information communicated herein. Use of dimensions and other information in this drawing is at the users own risk.			

LOPOLIGHT

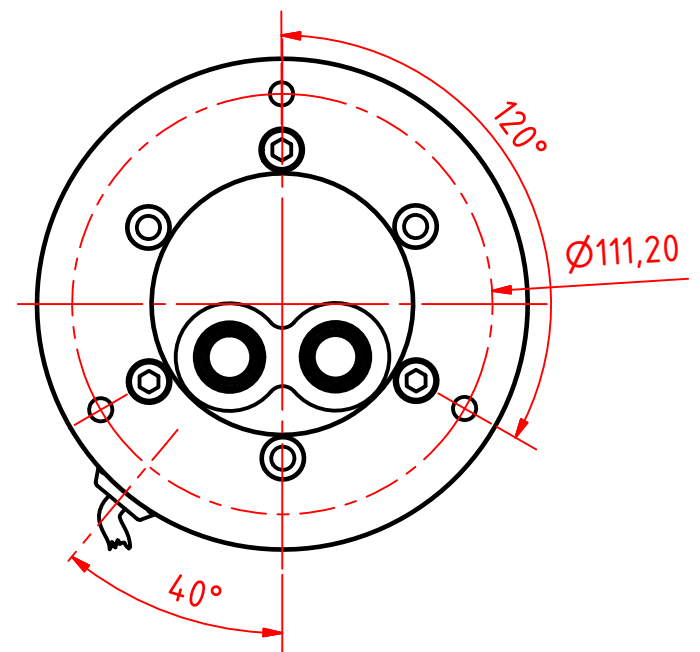
Lopolight ApS
Ved Klaedebo 12
DK-2970, Hoersholm
Denmark

www.lopolight.com

Tel:(+45) 32 48 50 30 Fax:(+45) 32 48 50 32
info@lopolight.com

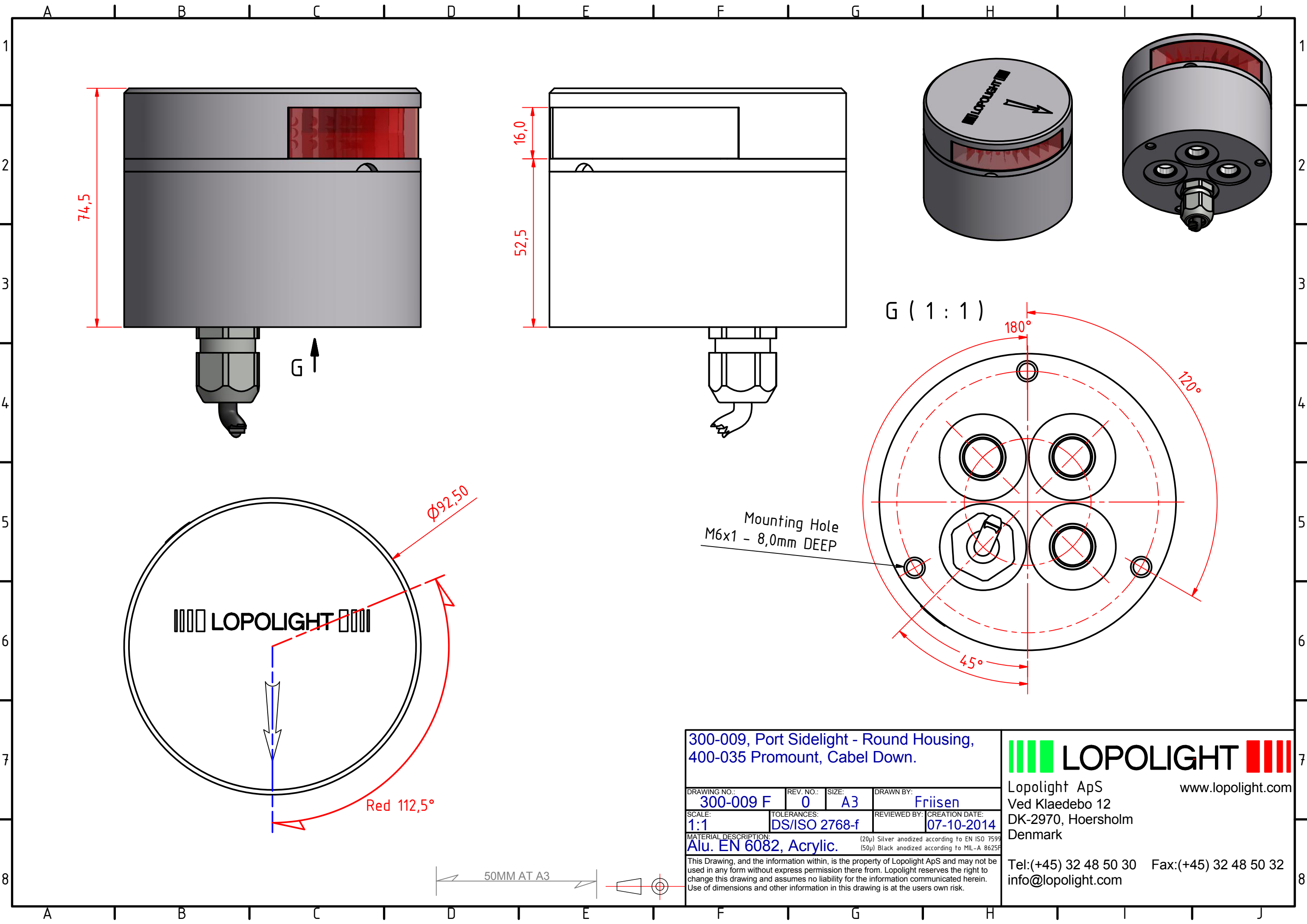


F (1 : 2)



300-009, Port Sidelight - Round Housing, 400-034 Promount, 400-404 PE Base Plate, Cabel Side.			
DRAWING NO.: 300-009 E	REV. NO.: 0	SIZE: A3	DRAWN BY: Friisen
SCALE: 1:1	TOLERANCES: DS/ISO 2768-f	REVIEWED BY:	CREATION DATE: 07-10-2014
MATERIAL DESCRIPTION: Alu. EN 6082, Acrylic. (20µ) Silver anodized according to EN ISO 7599 (50µ) Black anodized according to MIL-A 8625F			
This Drawing, and the information within, is the property of Lopolight ApS and may not be used in any form without express permission there from. Lopolight reserves the right to change this drawing and assumes no liability for the information communicated herein. Use of dimensions and other information in this drawing is at the users own risk.			

LOPOLIGHT
 Lopolight ApS
 Ved Klaedebo 12
 DK-2970, Hoersholm
 Denmark
 www.lopolight.com
 Tel:(+45) 32 48 50 30 Fax:(+45) 32 48 50 32
 info@lopolight.com



LOPOLIGHT

300-009, Port Sidelight - Round Housing,
400-035 Promount, Cabel Down.

DRAWING NO.: 300-009 F	REV. NO.: 0	SIZE: A3	DRAWN BY: Friisen
SCALE: 1:1	TOLERANCES: DS/ISO 2768-f	REVIEWED BY:	CREATION DATE: 07-10-2014

MATERIAL DESCRIPTION:
Alu. EN 6082, Acrylic. (20µ) Silver anodized according to EN ISO 7599
(50µ) Black anodized according to MIL-A 8625F

This Drawing, and the information within, is the property of Lopolight ApS and may not be used in any form without express permission there from. Lopolight reserves the right to change this drawing and assumes no liability for the information communicated herein. Use of dimensions and other information in this drawing is at the users own risk.

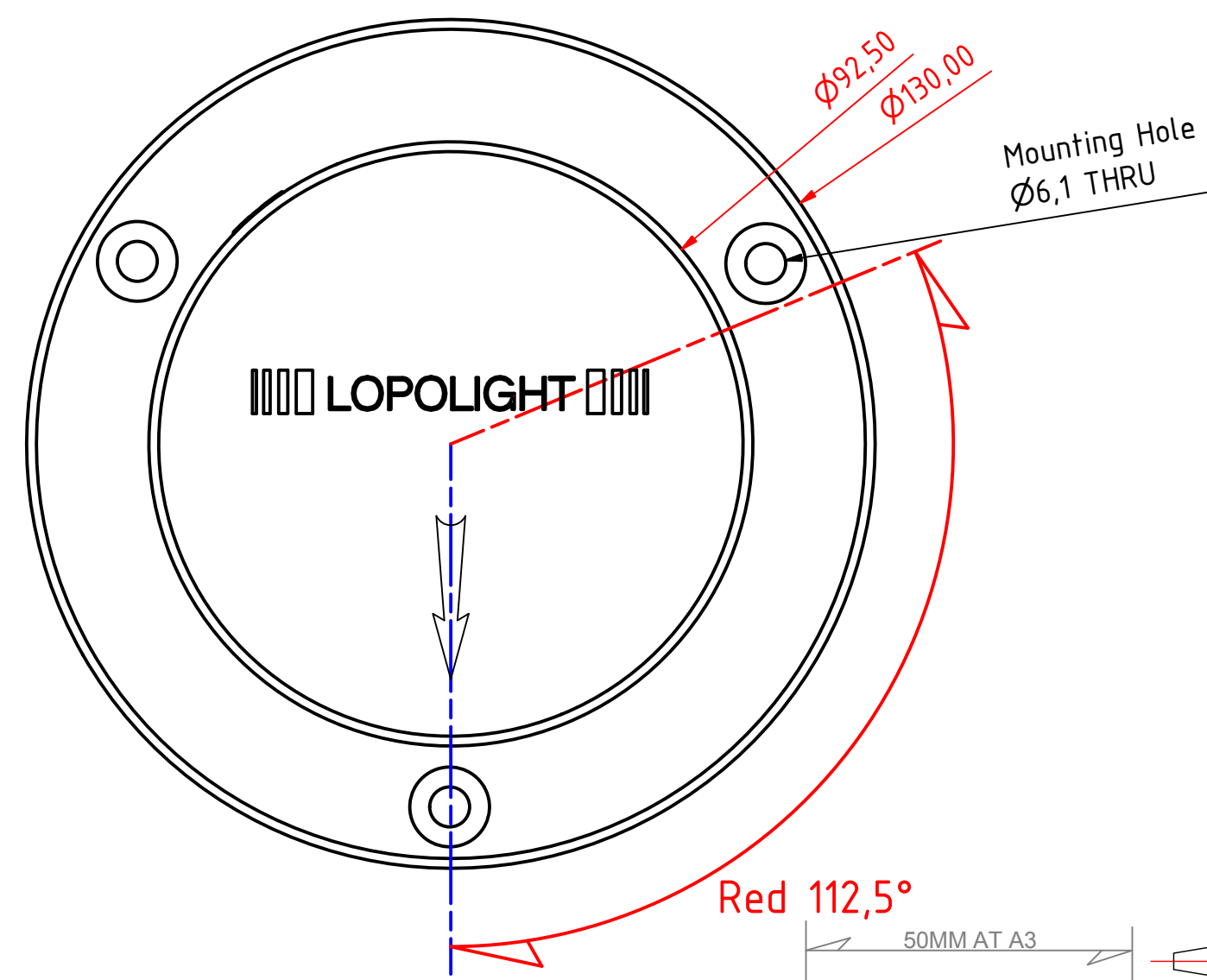
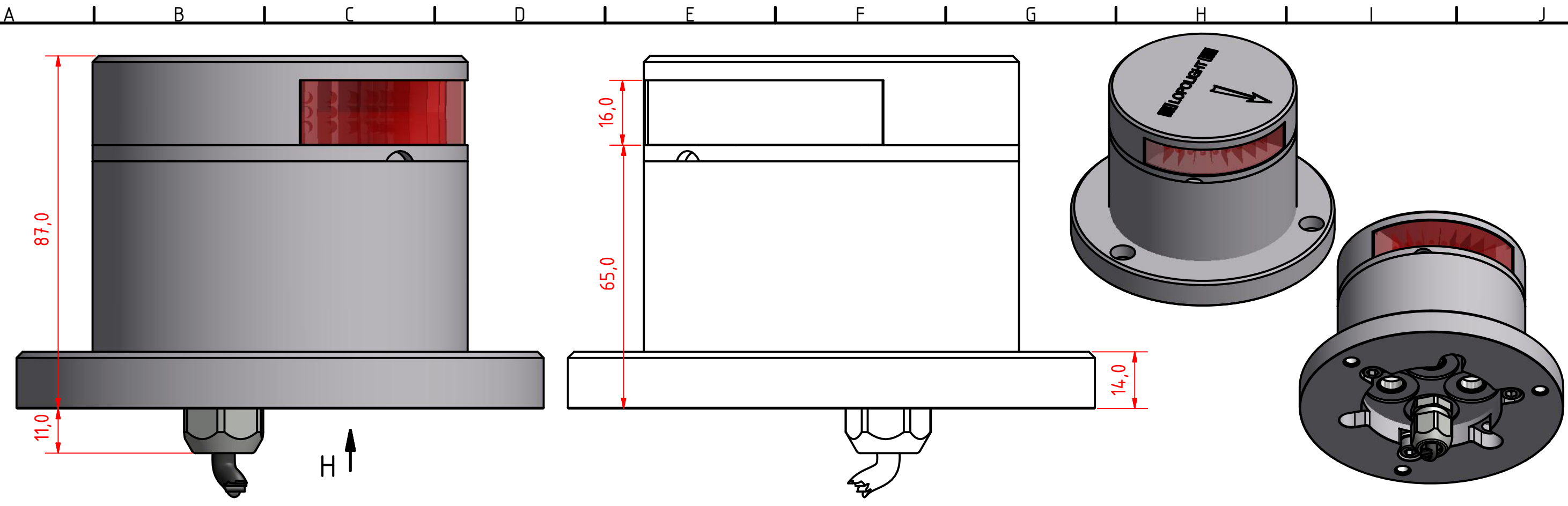
LOPOLIGHT

Lopolight ApS
Ved Klaedebo 12
DK-2970, Hoersholm
Denmark

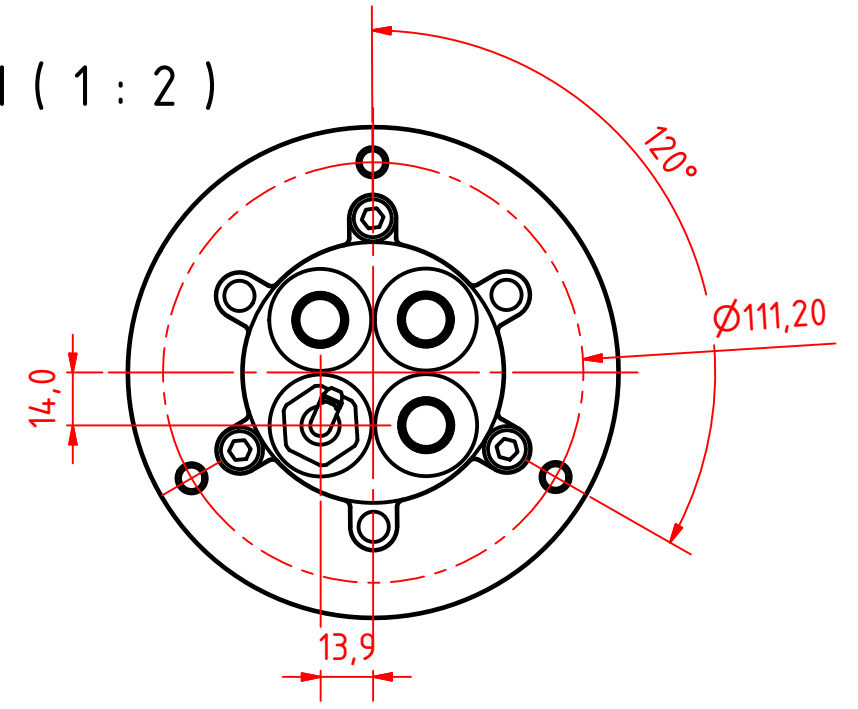
Tel:(+45) 32 48 50 30 Fax:(+45) 32 48 50 32
info@lopolight.com

www.lopolight.com

50MM AT A3



H (1 : 2)



300-009, Port Sidelight - Round Housing,
400-035 Promount, 400-401 Alu Base Plate,
Cabel Down.

DRAWING NO.: 300-009 G	REV. NO.: 0	SIZE: A3	DRAWN BY: Friisen
---------------------------	----------------	-------------	----------------------

SCALE: 1:1	TOLERANCES: DS/ISO 2768-f	REVIEWED BY:	CREATION DATE: 07-10-2014
---------------	------------------------------	--------------	------------------------------

MATERIAL DESCRIPTION:
Alu. EN 6082, Acrylic. (20µ) Silver anodized according to EN ISO 7599
(50µ) Black anodized according to MIL-A 8625F

This Drawing, and the information within, is the property of Lopolight ApS and may not be used in any form without express permission there from. Lopolight reserves the right to change this drawing and assumes no liability for the information communicated herein. Use of dimensions and other information in this drawing is at the users own risk.



Lopolight ApS
Ved Klaedebo 12
DK-2970, Hoersholm
Denmark
www.lopolight.com

Tel:(+45) 32 48 50 30 Fax:(+45) 32 48 50 32
info@lopolight.com