

Signature Series Subwoofer Installation Instructions	2
Instructions d'installation du caisson de basse Signature Series	6
Subwoofer Signature Series Istruzioni di installazione	11
Subwoofer der Signature Series – Installationsanweisungen	15
Instrucciones de instalación del subwoofer de la Signature Series	20
Signature Series da série esportiva da marca	25
Signature Series subwooferinstallatie-instructies	30

Garmin®, the Garmin logo, FUSION®, the Fusion logo, and True-Marine™ are trademarks of Garmin Ltd. or its subsidiaries, registered in the USA and other countries. These trademarks may not be used without the express permission of Garmin.



Signature Series Subwoofer Installation Instructions

Important Safety Information

WARNING

Failure to follow these warnings and cautions could result in personal injury, damage to the vehicle or vessel, or poor product performance.

This device must be installed according to these instructions.

Disconnect the vehicle's or vessel's power supply before beginning to install this product.

CAUTION

Continuous exposure to sound pressure levels over 100 dBA may cause permanent hearing loss. The volume is typically too loud if you cannot hear people speaking around you. Limit the amount of time you listen at high volume. If you experience ringing in your ears or muffled speech, stop listening and have your hearing checked.

Always wear safety goggles, ear protection, and a dust mask when drilling, cutting, or sanding.

NOTICE

When drilling or cutting, always check what is on the opposite side of the surface.

It is strongly recommended that you have your audio system installed by a professional installer to ensure optimum performance.

You must read all installation instructions before beginning the installation. If you experience difficulty during the installation, go to www.fusionentertainment.com for product support.

After installing the subwoofer, you should run the subwoofer at low to medium volumes for the first few hours of use. This helps to improve the overall sound by gradually loosening up the moving components of the subwoofer, such as the cone, spider, and surround

What's In the Box

- 1 subwoofer
- 6 Phillips stainless steel, 4.8 mm x 50 mm (10 gauge x 2 in.) mounting screws
- Mounting template
- Grille (Classic models only)
- 1 tinned LED connection cable (6 m) (Sports models only)
- Hex key (Sports models only)

Tools Needed

- Electric drill
- Drill bit (size varies based on surface material)
- Phillips screwdriver
- Wire strippers
- Crimping tool
- Electrical tape
- Appropriate saw or utility knife to cut surface material
- Marine sealant (optional)
- Suitable gauge speaker wire for the length required

NOTE: For customized installations, additional tools and materials may be needed.

Mounting Considerations

Selecting the correct mounting location is critical to optimize the performance of the audio system. FUSION® subwoofer is designed to perform in the widest possible range of mounting

locations, but the more you plan the installation, the better the subwoofer's sound will be.

- The audio system must be turned off before making any connections. Failure to do so could result in permanent damage to the audio system.
- You should protect all terminals and connections from grounding and from each other. Failure to do so could result in permanent damage to the audio system and voids the product warranty.
- You should protect the wires from sharp objects and always use rubber grommets when wiring through panels.
- The mounting location must avoid potential obstacles, such as fuel and hydraulic lines and wiring.
- The mounting location must provide sufficient clearance for the mounting depth of the subwoofer as specified in the side view drawings and the specifications.
- When possible, the area behind each subwoofer should be enclosed.
- To avoid interference with a magnetic compass, the subwoofer should not be installed closer to a compass than the compass-safe distance value listed in the product specifications.
- You should select a flat mounting surface for the best seal.
- For better bass performance, the subwoofer should be mounted in an area that provides just enough room behind the subwoofer. Too small an area restricts bass, and too large an area compromises bass performance. Placing a subwoofer close to an open area produces the least bass.
- When a subwoofer is not exposed to the outside environment, a better bass performance can be achieved using an enclosure that has a ported design. See the optimum enclosure design recommendations. Those recommendations specify volume only, and for the ported option, an optimum port size and length are also provided.
- If you intend to mount the subwoofer outside the boat, follow these considerations.
 - When mounted correctly, the subwoofer is rated IP65 for protection in the harsh marine environment from the front of the subwoofer. Water exposure and damage to the rear of the subwoofer voids the warranty.
 - The subwoofer must be mounted in a location well above the waterline, where it is not submerged.
 - The subwoofer must be mounted in a location where it cannot be damaged by docks, pilings, or other pieces of equipment.
 - The subwoofer should be mounted in a sealed enclosure, especially if it is exposed to wash down. A port or vent may allow water to collect in the enclosure and damage the subwoofer.

Mounting the Subwoofer

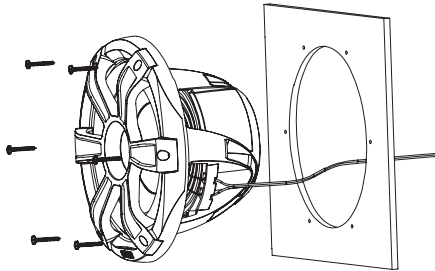
Before mounting the subwoofer, you must choose a location where there is enough clearance behind the mounting surface. Refer to the side view drawing and the specifications for clearance information.

Before mounting the subwoofer, you must choose a location following the mounting considerations.

If you are replacing a FUSION MS-SW10 10" subwoofer with the Signature Series Classic model 10" subwoofer, see *Replacing a FUSION MS-SW10 10" Subwoofer*.

- 1 Route the wires from the source to the mounting location, away from sources of electrical interference.
- 2 Trim the template and make sure it fits in the selected location.
- 3 Orient the template with the FUSION logo at the bottom of the template.

- 4 Secure the template to the selected location.
- 5 Using a drill bit appropriate for the mounting surface, drill a hole inside the dashed line on the template to prepare the mounting surface for cutting.
- 6 Using a jigsaw or rotary tool, cut the mounting surface along the inside of the line on the template.
- 7 Place the subwoofer in the cutout to test the fit.
- 8 If necessary, use a file and sandpaper to refine the size of the cutout.
- 9 After the subwoofer fits correctly in the cutout, ensure the mounting holes on the subwoofer line up with the pilot holes on the template.
- 10 If the mounting holes do not line up, mark the new hole locations.
- 11 Using an appropriately sized drill bit for the mounting surface and screw type, drill the holes.
- 12 Remove the template from the mounting surface.
- 13 Connect the subwoofer wires while observing polarity.
For more information on wiring polarity, see *Subwoofer Sound Optimization*.
- 14 If necessary, connect the LED wires to the Sports model subwoofer (see *Sports Model LED Wiring*).
- 15 Place the subwoofer in the cutout.



- 16 Secure the subwoofer to the mounting surface using the included screws.

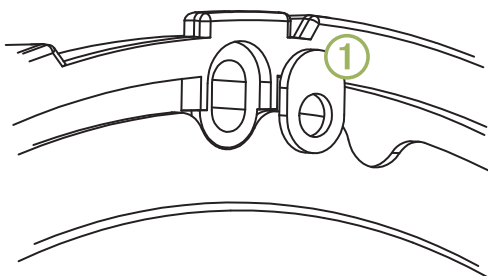
NOTE: Do not over tighten the screws, especially if the mounting surface is not flat.

For the Classic model subwoofer, you should attach the grille to the front (see *Attaching the grille to the Classic Model Subwoofer*).

Replacing a FUSION MS-SW10 10" Subwoofer

You can replace a FUSION MS-SW10 10" subwoofer with the Signature Series Classic model 10" subwoofer. You do not need to cut or drill new holes.

- 1 Remove the MS-SW10 from the mounting surface.
- 2 Remove each oblong washer from the front of the Signature Series subwoofer.
- 3 Turn each washer ① so the hole is oriented toward the center of the subwoofer.
- 4 After rotating the washer, place it back into the subwoofer.



- 5 Continue mounting the subwoofer, starting at step 13 in *Mounting the Subwoofer*.

Sports Model LED Wiring

Connecting the LED Wires to the Sports Model Subwoofer

NOTE: This feature is available only on the Sports model subwoofer.

You can control the color of the LEDs by the polarity of the LED wires.

- 1 Using the hex key, loosen the screws on the wiring terminals on the back of the subwoofer.
- 2 Connect the black and red wires to the terminal according to the preferred LED color.

Blue LED	Black to negative (-) Red to positive (+)
White LED	Black to positive (+) Red to negative (-)

- 3 Using the hex key, tighten the screws on the wiring terminals.

Connecting the Sports Model Subwoofer LED Wires to Power

NOTE: This feature is available only on the Sports model subwoofer.

All 12 Vdc wiring to the LEDs must be fused at the power-source end of your cable using a 3 A fuse. The red power (+) wire should be connected to a 12 Vdc source through an isolator switch or circuit breaker to turn the LEDs on and off. You can use the same isolator or circuit breaker controlling the supply to your stereo, which allows you to turn the LEDs and the stereo on and off at the same time.

If it is necessary to extend the red and black wires, you should use 20 AWG (0.5 mm²) or thicker wire.

- 1 Route the red power (+) and black ground (-) wires to the battery and subwoofer.
- 2 Connect the black wire to the negative (-) battery terminal.
- 3 Connect the red wire to the positive (+) battery terminal through a 3 A fuse and isolator switch or circuit breaker.

Attaching the grille to the Classic Model Subwoofer

NOTE: This feature is available only on the Classic model subwoofer.

- 1 With the subwoofer mounted, hold the grille with the FUSION logo at the bottom, at the 6 o'clock position.
- 2 Turn the grille counter-clockwise about 10°, so the FUSION logo is at the 5 o'clock position.
- 3 Place the grille on the rim of the subwoofer.
- 4 Twist the grille clockwise to secure it.

Subwoofer Sound Optimization

While installing the subwoofer, you can ensure the sound from the subwoofer is optimized by running the subwoofer out of phase. You can switch the positive and negative wires on the subwoofer to run them out of phase.

Running the subwoofer out of phase from the speakers allows you to hear if the perception of bass is more from the location of the subwoofer or speakers. If running the subwoofer out of phase gives a better perception that the bass is from the speakers' location, the out-of-phase wiring is correct for your system.

You can run the subwoofer out of phase by temporarily mounting it to the mounting surface by using only three of the mounting screws. Depending on the outcome of the test, the remaining screws can be fastened or the subwoofer can be removed to correct the wiring polarity.

Additional Information

True-Marine™ Products

True-Marine products are subjected to rigorous environmental testing under harsh marine conditions to surpass industry guidelines for marine products.

Any product that bears the True-Marine stamp of assurance has been designed for simplicity of use and combines advanced marine technologies to deliver an industry leading entertainment experience. All True-Marine products are supported by the FUSION 3-year worldwide limited consumer warranty.

Optional LED Voltage Regulator

You can use an LED voltage regulator (optional accessory SG-VREGLED) to regulate the battery voltage supply to the LED lights. You can use the voltage regulator if you notice the levels of brightness changing when you are running your engine, charging, or using battery power only. The voltage regulator can power the LEDs on up to ten Signature Series speakers or subwoofers; for example four pairs of speakers and two subwoofers.

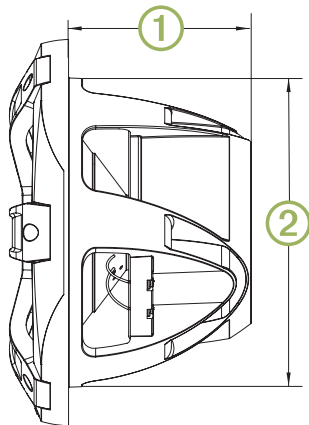
Registering Your Signature Series

Help us better support you by completing our online registration today.

- Go to www.fusionentertainment.com.
- Keep the original sales receipt, or a photocopy, in a safe place.

Dimension Drawings

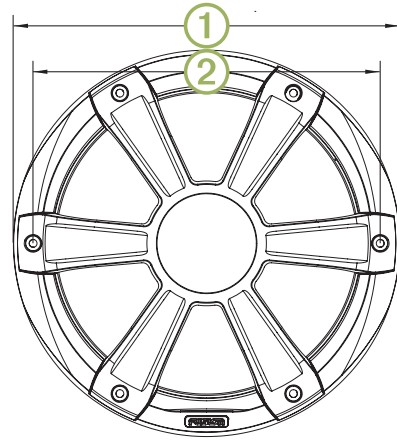
Side View



①	130 mm (5 1/8 in.)
②	220 mm (8 21/32 in.)

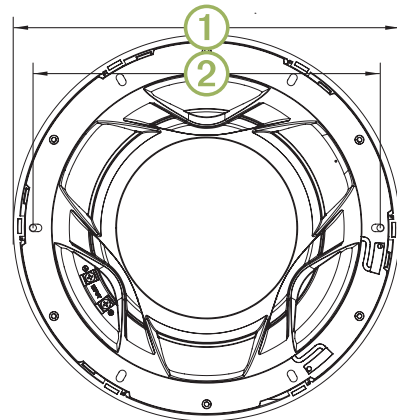
A Sports model subwoofer is shown, but the dimensions are the same for the Classic model.

Sports Model Front View



①	275 mm (10 53/64 in.)
②	247 mm (9 23/32 in.)

Classic Model Back View



①	275 mm (10 53/64 in.)
②	247 mm (9 23/32 in.)

Cleaning the Subwoofer

NOTICE

Do not use harsh or solvent-based cleaners on the subwoofer. Using such cleaners may damage the product and void the warranty.

When mounted correctly, this subwoofer is rated IP65 for protection in the harsh marine environment from the front of the subwoofer. The subwoofer is not designed to withstand high pressure water spray, which may occur when you wash down your vessel. Failure to carefully spray-clean the vessel may damage the product and void the warranty.

- 1 Clean all salt water and salt residue from the grille with a damp cloth soaked in fresh water.
- 2 Use a mild detergent to remove a heavy buildup of salt or stains.

Troubleshooting

Before you contact your FUSION dealer or service center, you should perform a few simple troubleshooting steps to help diagnose the problem.

If the FUSION subwoofer has been installed by a professional installation company, you should contact the company so the technicians can assess the problem and advise you about possible solutions.

There is no sound coming from the subwoofer

- Verify that all connections are connected correctly to the proper terminals.

The system lacks bass

- Verify that the subwoofer is attached firmly to the mounting surface.

The audio is distorted

- Verify that the panels surrounding the subwoofer on the vessel are not rattling.
- Verify that the amplifier is connected to the subwoofer terminals correctly.
- If the subwoofer is connected to an amplifier, verify that the input level of the amplifier is matched to the output level of the stereo.

For more information, see the manual for the amplifier.

The LED lights will not turn on

- Verify that all wiring connections are correct and tight.

The LEDs pulse with the bass notes of the music

- Install a FUSION LED voltage regulator (SG-VREGLED).

Specifications

Max. power (Watts)	450 W
RMS power (Watts)	250 W
Efficiency (1 W/1 m)	88 dB
Frequency response (+ 3 dB)	From 30 Hz to 2 kHz
Min. mounting depth (clearance)	133 mm (5 ¹⁵ / ₆₄ in.)
Mounting diameter (clearance)	223 mm (8 ²⁵ / ₃₂ in.)
Impedance	4 ohm
Amplifier power-rating recommendation	50 to 300 W RMS, playing music
Compass-safe distance*	520 cm (204 ²³ / ₃₂ in.)
LED supply voltage (Sports model only)	From 10.8 to 16 Vdc
LED load current at 14.4 Vdc (Sports model only)	150 mA
Operating temperature range	From 0 to 50°C (from 32 to 122°F)
Storage temperature range	From -20 to 70°C (from -4 to 158°F)
Water and dust rating	IEC 60529 IP65

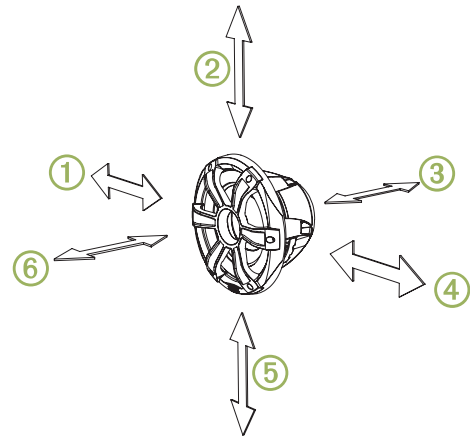
* This information is provided in accordance with the IEC Standard 60945. For more information, see below.

Subwoofer Compass-Safe Distance

All speakers and subwoofers contain magnets which are likely to cause interference with instruments on your boat. The size of the magnet used in the subwoofer affects how much interference the subwoofer may cause.

Interference can cause deviations and variations in the readings of sensitive navigational equipment, such as magnetic compasses. These deviations can cause inaccuracies or offsets in the readings, but will not harm the equipment. To alleviate the deviations, adjust the compass for the deviation following the manufacturer's instructions or move the subwoofer away from the navigational equipment. After moving a source of interference, you may need to recalibrate the compass.

To avoid deviations to navigational equipment, position the subwoofer so it is separated from the navigational equipment by at least the distance listed in the table below.



Direction from Subwoofer	10" Subwoofer
①	302 cm (9 ft. 11 in.)
②	295 cm (9 ft. 9 in.)
③	513 cm (16 ft. 10 in.)
④	277 cm (9 ft. 2 in.)
⑤	295 cm (9 ft. 9 in.)
⑥	488 cm (16 ft.)

Optimum Enclosure Recommendations

Sealed enclosure volume*	17.2 L (0.6 ft. ³)
Ported (vented) enclosure volume**	45 L (1.6 ft. ³)
Port diameter	104 mm (4 in.)
Port length	265 mm (10 ²⁹ / ₆₄ in.)

* Fully filled with absorption material.

** Lined with absorption material.

Instructions d'installation du caisson de basse Signature Series

Informations importantes relatives à la sécurité

⚠ AVERTISSEMENT

Le non-respect de ces avertissements et de ces mises en garde est susceptible de provoquer des blessures, d'endommager le bateau ou le véhicule ou de dégrader les performances du produit.

Cet appareil doit être installé conformément à ces instructions.

Déconnectez l'alimentation du véhicule ou du bateau avant de commencer à installer ce produit.

⚠ ATTENTION

L'exposition prolongée à des niveaux de pression acoustique supérieurs à 100 dBA peut entraîner une perte d'audition irréversible. Le volume est généralement trop élevé si vous ne parvenez pas à entendre les personnes qui parlent autour de vous. Limitez le temps d'écoute durant lequel le volume est élevé. Si vos oreilles sifflent ou si vous entendez des sons étouffés, arrêtez l'écoute et faites contrôler votre audition.

Portez toujours des lunettes de protection, un équipement antibruit et un masque anti-poussière lorsque vous percez, coupez ou poncez.

AVIS

Lorsque vous percez ou coupez, commencez toujours par vérifier la nature de la face opposée de l'élément.

Pour des performances optimales, il est vivement recommandé de confier l'installation du système audio à un professionnel.

Lisez toutes les instructions d'installation avant de commencer l'installation. Si vous rencontrez des difficultés durant l'installation, rendez-vous sur le site www.fusionentertainment.com pour obtenir de l'aide sur le produit.

À la fin de l'installation du caisson de basse, faites-le fonctionner à un volume d'écoute faible et augmentez le son progressivement lors des premières heures d'utilisation. Ainsi, vous améliorerez le son global en assouplissant progressivement les composants amovibles du caisson de basses, comme le cône, le spider et la membrane.

Contenu de l'emballage

- 1 caisson de basse
- 6 vis de montage cruciformes en acier inoxydable, 4,8 mm x 50 mm (calibre 10 x 2 po)
- Modèle de montage
- Grille (modèles classiques uniquement)
- 1 câble étamé de connexion pour voyants LED (6 m) (modèles sports uniquement)
- Clé Allen (modèles sports uniquement)

Outils requis

- Perceuse électrique
- Foret (la taille varie en fonction du matériel de la surface de montage)
- Tournevis cruciforme
- Dénude-fil
- Outil pour sertir
- Ruban isolant
- Scie appropriée ou couteau à lame rétractable pour découper le matériel de la surface de montage
- Mastic d'étanchéité (facultatif)

- Un calibre de câble correct doit être utilisé pour la longueur requise

REMARQUE : pour des installations sur mesure, des outils et du matériel supplémentaires peuvent être nécessaires.

Considérations relatives au montage

Les performances du système audio reposent sur le choix d'un emplacement d'installation approprié. Si le caisson de basse FUSION est conçu pour fonctionner à peu près partout, la qualité de son dépend de la manière dont vous allez étudier son installation.

- Le système audio doit être éteint avant de procéder à tout branchement. Dans le cas contraire, le système audio pourrait être endommagé de manière irréversible.
- Protégez toutes les bornes et connexions contre les risques de court-circuit et isolez-les les uns des autres. Dans le cas contraire, le système audio pourrait être endommagé de manière irréversible et la garantie annulée.
- Il est conseillé de protéger les fils du caisson de basse contre tout objet tranchant et de toujours utiliser des passe-câbles lorsque vous faites passer les fils dans des tableaux.
- L'emplacement de montage doit éviter tout obstacle potentiel, comme des flexibles hydrauliques ou des câbles.
- L'emplacement de montage doit fournir suffisamment d'espace pour la profondeur de montage du caisson de basse, conformément aux croquis de la vue latérale et aux caractéristiques.
- Dans la mesure du possible, la zone à l'arrière de chaque caisson de basse doit être fermée.
- Pour éviter toute interférence avec un compas magnétique, le caisson de basse doit être installé à la distance de sécurité au compas indiquée dans les caractéristiques techniques du produit.
- Choisissez une surface de montage plate pour une meilleure étanchéité.
- Pour de meilleures basses, installez chaque caisson de basse dans une zone pourvue d'un espace suffisant à l'arrière. Si la zone est trop petite, les basses sont moins fortes. En revanche, la zone ne doit pas être trop grande au risque de compromettre les performances des basses. Le fait de placer un caisson de basse à proximité d'une zone ouverte diminue les basses.
- Lorsqu'un caisson de basse n'est pas au contact de l'environnement extérieur, les performances des basses peuvent être améliorées à l'aide d'une enceinte réflexe. Consultez les recommandations à suivre pour obtenir une configuration avec enceinte réflexe idéale. Ces recommandations indiquent le volume, et pour l'option avec enceinte réflexe, la taille et la longueur optimales de l'enceinte sont également précisées.
- Si vous envisagez d'installer le caisson de basse à l'extérieur du bateau, suivez ces recommandations.
 - Quand il est installé correctement, ce caisson de basse offre en façade un indice de protection IP65 contre les aléas de l'environnement marin. Tout contact avec l'eau et tout endommagement à l'arrière du caisson de basse entraîne l'annulation de la garantie.
 - Le caisson de basse doit être monté à un emplacement où il ne risque pas d'être immergé, bien au-dessus de la ligne de flottaison.
 - Le caisson de basse doit être installé à un emplacement éloigné des quais et autres équipements.
 - Le caisson de basse doit être installé dans un caisson clos, surtout s'il est exposé aux projections d'eau. De l'eau peut en effet passer dans le boîtier et endommager le caisson de basse.

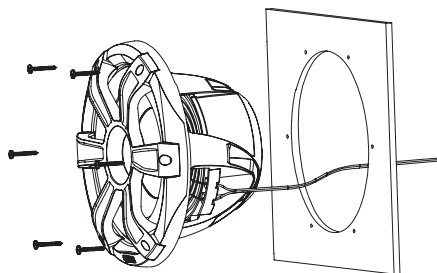
Installation du caisson de basse

Avant d'installer le caisson de basse, choisissez un emplacement avec suffisamment d'espace à l'arrière de la surface de montage. Reportez-vous aux croquis de la vue latérale et aux caractéristiques pour obtenir des informations sur l'espace à respecter.

Avant d'installer le caisson de basse, vous devez choisir un emplacement adapté, en suivant les recommandations suivantes.

Si vous remplacez un caisson de basse FUSION MS-SW10 10" par un caisson de basse Signature Series, modèle classique de 10", reportez-vous à la section *Remplacement d'un caisson de basse FUSION MS-SW10 10"*.

- 1 Acheminez les fils de la source vers l'emplacement de montage, en les éloignant des sources d'interférences électroniques.
- 2 Découpez le modèle et assurez-vous que le caisson de basse s'adapte à l'emplacement choisi.
- 3 Orientez le modèle de façon à ce que le logo FUSION soit dirigé vers le bas du modèle.
- 4 Fixez le modèle sur l'emplacement choisi.
- 5 A l'aide d'un foret adapté à la surface de montage, percez un trou à l'intérieur de la ligne pointillée dessinée sur le modèle pour préparer la surface de montage à la découpe.
- 6 A l'aide d'une scie sauteuse ou d'une foreuse rotative, découpez la surface de montage le long de la ligne du modèle.
- 7 Placez le caisson de basse dans la découpe pour vérifier l'ajustement.
- 8 Au besoin, utilisez une lime et du papier de verre pour affiner le contour de la découpe.
- 9 Lorsque le caisson de basse est bien ajusté au contour, assurez-vous que les trous de montage sur le caisson de basse s'alignent sur les trous d'implantation du modèle.
- 10 Si les trous de montage ne sont pas alignés, repérez les nouveaux emplacements des trous.
- 11 Percez les trous à l'aide d'un foret de taille adaptée à la surface de montage et au type de vis.
- 12 Retirez le modèle de la surface de montage.
- 13 Connectez les fils du caisson de basse en respectant bien la polarité.
Pour plus d'informations sur la polarité des fils, reportez-vous à la section *Optimisation du son du caisson de basse*.
- 14 Si besoin, connectez les fils des voyants LED au caisson de basse, modèle sports (voir la section *Câblage des voyants LED du caisson de basse, modèle sports*).
- 15 Placez le caisson de basse dans la découpe.



- 16 Fixez le caisson de basse à la surface de montage à l'aide des vis fournies.

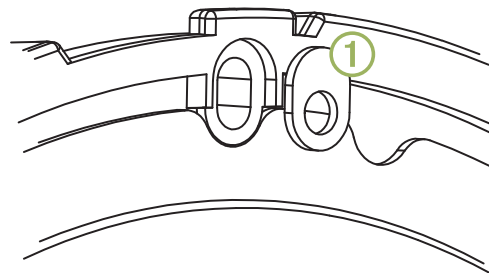
REMARQUE : ne serrez pas les vis outre mesure, surtout si la surface de montage n'est pas plate.

Pour le caisson de basse du modèle classique, fixez la grille à la façade (voir la section *Fixation de la grille sur le caisson de basse, modèle classique*).

Remplacement d'un caisson de basse FUSION MS-SW10 10"

Vous pouvez remplacer un caisson de basse FUSION MS-SW10 10" par un caisson de basse Signature Series, modèle classique de 10". Ce remplacement ne nécessite aucun trou supplémentaire.

- 1 Retirez le MS-SW10 de la surface de montage.
- 2 Retirez chaque rondelle rectangulaire de la façade du caisson de basse Signature Series.
- 3 Tournez chaque rondelle ① de sorte que le trou soit orienté face au centre du caisson de basse.
- 4 Après avoir tourné la rondelle, remplacez-la sur le caisson.



- 5 Continuez l'installation du caisson de basse, en commençant par l'étape 13 *Installation du caisson de basse*.

Câblage des voyants LED du caisson de basse, modèle sports

Connexion des fils des voyants LED au caisson de basse, modèle sports

REMARQUE : cette fonction est uniquement disponible sur le caisson de basse modèle sports.

Vous pouvez contrôler la couleur des voyants LED en jouant sur la polarité des fils des voyants LED.

- 1 Avec la clé Allen, desserrez les vis présentes sur les bornes du câblage à l'arrière du caisson de basse.
- 2 Connectez les fils noir et rouge à la borne en fonction de la couleur de voyant LED que vous préférez.

LED bleu	Noir vers borne négative (-) Rouge vers borne positive (+)
LED blanc	Noir vers borne positive (+) Rouge vers borne négative (-)

- 3 Avec la clé Allen, serrez les vis situées sur les bornes du câblage.

Connexion des fils des voyants LED à l'alimentation sur le caisson de basse, modèle sports

REMARQUE : cette fonction est uniquement disponible sur le caisson de basse modèle sports.

Pour tout le câblage 12 V c.c. des voyants LED, un fusible de 3 A doit être posé à l'extrémité de la source d'alimentation de votre câble. Le fil d'alimentation rouge (+) doit être connecté à une source 12 V c.c. à l'aide d'un sectionneur ou d'un disjoncteur afin d'allumer et éteindre les voyants LED. Vous pouvez utiliser le même sectionneur ou disjoncteur que vous utilisez pour alimenter votre chaîne stéréo, ce qui vous permet d'allumer et d'éteindre les voyants LED et la chaîne stéréo en même temps.

Si les fils rouge et noir fournis sont trop courts, vous pouvez les rallonger à l'aide d'un câble de 0,5 mm² (20 AWG) ou supérieur.

- 1 Acheminez les fils d'alimentation rouge (+) et de mise à la terre noir (-) vers la batterie et le caisson de basse.
- 2 Connectez le fil noir à la borne négative (-) de la batterie.
- 3 Connectez le fil rouge à la borne positive (+) de la batterie à l'aide d'un fusible de 3 A et d'un sectionneur ou d'un disjoncteur.

Fixation de la grille sur le caisson de basse, modèle classique

REMARQUE : cette fonction est uniquement disponible sur le caisson de basse modèle classique.

- 1 Une fois le caisson de basse monté, tenez la grille en orientant le logo FUSION vers le bas ou à une position de 6 heures.
- 2 Tournez la grille dans le sens inverse des aiguilles d'une montre et à environ 10 °, afin que le logo FUSION soit à une position de 5 heures.
- 3 Placez la grille sur le rebord du caisson de basse.
- 4 Tournez la grille dans le sens des aiguilles d'une montre pour la bloquer.

Optimisation du son du caisson de basse

Lors de l'installation du caisson de basse, vous pouvez vous assurer que le son du caisson de basse est optimal en le faisant fonctionner en opposition de phase. Vous pouvez échanger les fils positif et négatif du caisson de basse afin de le faire fonctionner en opposition de phase.

Quand le caisson de basse fonctionne en opposition de phase à partir des haut-parleurs, vous entendez si les basses semblent plus fortes au niveau de l'emplacement du caisson de basse ou celui des haut-parleurs. Si en fonctionnant en opposition de phase, les basses sont plus perceptibles au niveau de l'emplacement des haut-parleurs, cela signifie que le câblage en opposition de phase convient à votre système.

Vous pouvez faire fonctionner le caisson de basse en opposition de phase en l'installant de façon temporaire sur la surface de montage à l'aide de trois vis de montage seulement. En fonction du résultat du test, vous pouvez fixer les vis restantes ou retirer le caisson de basse de manière à corriger la polarité du câblage.

Informations supplémentaires

True-MarineProduits

Les produits True-Marine sont soumis à des essais d'environnement rigoureux lors de conditions maritimes difficiles afin de dépasser les recommandations du secteur.

Les produits portant la certification True-Marine ont été conçus dans une optique d'ergonomie et allient des technologies avancées pour la mer afin de proposer une expérience ludique inégalée. Tous les produits True-Marine sont fournis avec la garantie limitée de trois ans FUSION pour les produits grand public.

Régulateur de tension pour voyants LED en option

Vous pouvez utiliser un régulateur de tension pour voyants LED (accessoire en option appelé « SG-VREGLED ») afin de réguler la tension de la batterie émise pour les voyants LED. Vous pouvez utiliser le régulateur de tension si vous remarquez un changement de luminosité lors du fonctionnement du moteur, de la recharge, ou de l'utilisation de la batterie seule. Le régulateur de tension peut alimenter les voyants LED de dix haut-parleurs ou caissons de basses Signature Series maximum ; quatre paires de haut-parleurs et deux caissons de basses, par exemple.

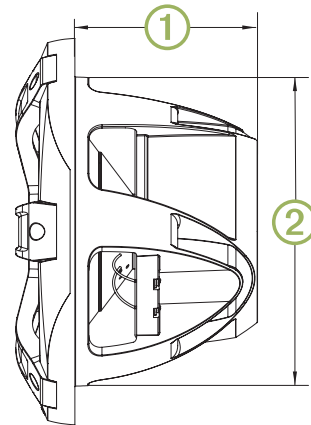
Enregistrement de votre Signature Series

Aidez-nous à mieux vous servir en remplissant dès aujourd'hui notre formulaire d'enregistrement en ligne.

- Rendez-vous sur le site www.fusionentertainment.com .
- Conservez en lieu sûr l'original de la facture ou une photocopie.

Croquis sur les dimensions

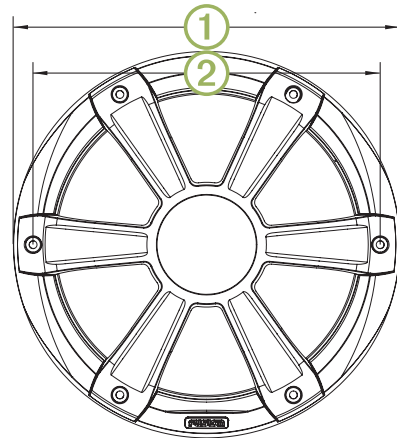
Vue latérale



①	130 mm (5 1/8 po)
②	220 mm (8 21/32 po)

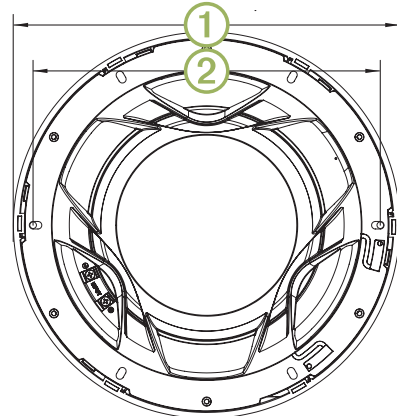
L'illustration du caisson de basse présente le modèle sports mais les dimensions sont identiques à celles du modèle classique.

Vue de face du modèle sports



①	275 mm (10 53/64 po)
②	247 mm (9 23/32 po)

Vue arrière du modèle classique



①	275 mm (10 53/64 po)
②	247 mm (9 23/32 po)

Nettoyage du caisson de basse

AVIS

N'utilisez aucun produit nettoyant abrasif ni à base de solvant sur le caisson de basse. L'utilisation de ce type de produit risque d'endommager l'appareil et d'annuler la garantie.

Quand il est installé correctement, ce caisson de basse offre en façade un indice de protection IP65 contre les aléas de l'environnement marin. Le caisson de basse n'est pas conçu pour résister à des jets d'eau puissants, comme lorsque vous lavez votre bateau au jet. Si vous ne faites pas attention au moment de laver votre bateau au jet, vous risquez d'endommager le produit et d'annuler la garantie.

- 1 Nettoyez l'eau salée et les résidus de sel de la grille du caisson de basse à l'aide d'un chiffon humidifié avec de l'eau douce.
- 2 Utilisez un détergent doux pour ôter l'accumulation de sel ou les taches.

Dépannage

Avant de contacter votre revendeur ou centre de services FUSION, suivez quelques étapes simples de dépannage afin de diagnostiquer le problème qui vous concerne par vous-même.

Si le caisson de basse FUSION a été installé par une entreprise d'installation, prenez contact avec cette entreprise afin que les techniciens puissent localiser le problème et vous conseiller sur d'éventuelles solutions.

Aucun son ne sort du caisson de basse

- Vérifiez que toutes les connexions des bornes sont correctes.

Les basses du système sont faibles

- Vérifiez que le caisson de basse est bien fixé à la surface de montage.

Le son est déformé

- Vérifiez que les tableaux disposés autour du caisson de basse du bateau ne s'entrechoquent pas.
- Vérifiez que la connexion entre l'ampli et les bornes du caisson de basse est correcte.
- Si le caisson de basse est connecté à un ampli, vérifiez que le niveau d'entrée de l'ampli correspond bien au niveau de sortie de la chaîne stéréo.

Pour plus d'informations, consultez le manuel de l'ampli.

Les voyants LED ne s'allument pas

- Veillez à ce que toutes les connexions de câbles soient correctes et bien serrées.

Les voyants LED battent au rythme des notes de basse de la musique

- Installez un régulateur de tension pour voyants LED FUSION (SG-VREGLED).

Caractéristiques techniques

Puissance max. (watts)	450 W
Puissance RMS (watts)	250 W
Efficacité (1 W/1 m)	88 dB
Réponse de fréquence (+ 3 dB)	De 30 Hz à 2 kHz
Profondeur de montage minimale (dégagement)	133 mm (5 15/64 po)
Diamètre de montage (dégagement)	223 mm (8 25/32 po)
Impédance	4 ohm
Recommandations relatives à la puissance nominale de l'ampli	De 50 à 300 W RMS, lecture de musique
Distance de sécurité du compas*	520 cm (204 23/32 po)

Tension d'alimentation pour voyants LED (modèle sports uniquement)	De 10,8 à 16 V c.c.
Courant de charge des voyants LED à 14,4 V c.c. (modèle sports uniquement)	150 mA
Plage de températures de fonctionnement	De 0 à 50 °C (de 32 à 122 °F)
Plage de températures de stockage	De -20 à 70°C (de -4 à 158°F)
Degré de résistance à l'eau et à la poussière	IEC 60529 IP65

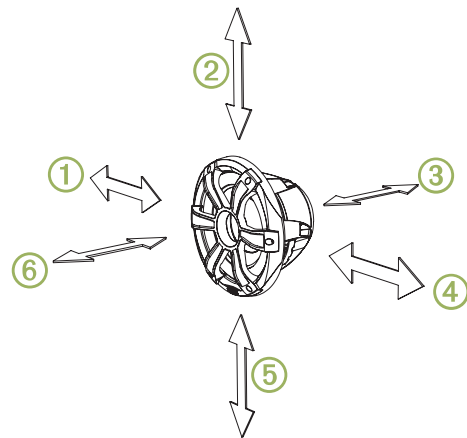
* Cette information est fournie conformément à la norme IEC 60945. Pour plus d'informations, voir ci-dessous.

Distance de sécurité au compas du caisson de basse

Tous les haut-parleurs et les caissons de basse contiennent des aimants susceptibles d'engendrer des interférences avec les autres instruments du bateau. La taille de l'aimant utilisé dans le caisson de basse joue sur le degré d'intensité de l'interférence qu'il peut entraîner.

Les interférences peuvent provoquer des écarts et des inexactitudes dans les lectures fournies par les équipements de navigation sensibles, comme les compas magnétiques. Ces écarts peuvent entraîner des lectures inexactes ou décalées sans avoir de conséquences néfastes sur les équipements en question. Pour réduire ces écarts, ajustez le compas en prenant compte de la valeur de décalage, conformément aux instructions du fabricant, ou éloignez le caisson de basse de l'équipement de navigation. Quand vous déplacez une source d'interférence, vous devrez peut-être procéder au réalignement du compas.

Pour éviter les écarts dans votre équipement de navigation, éloignez le caisson de basse en respectant les distances minimum répertoriées dans le tableau ci-dessous.



Direction depuis le caisson de basse	Caisson de basses 10 po
①	302 cm (9 pi 11 po)
②	295 cm (9 pi 9 po)
③	513 cm (16 pi 10 po)
④	277 cm (9 pi 2 po)
⑤	295 cm (9 pi 9 po)
⑥	488 cm (16 ft)

Recommandations en cas d'utilisation d'une enceinte antirésonnante

Volume du caisson clos*	17,2 L (0,6 pi ³)
Volume de l'enceinte réflexe**	45 L (1,6 pi ³)
Diamètre du réflex	104 mm (4 po)
Longueur du réflex	265 mm (10 29/64 po)

* Entièrement comblé avec du matériel d'absorption.

** Doublé avec le matériel d'absorption.

Subwoofer Signature Series Istruzioni di installazione

Informazioni importanti sulla sicurezza

⚠ AVVERTENZA

La mancata osservanza delle seguenti avvertenze e avvisi potrebbe causare lesioni personali, danni al veicolo o all'imbarcazione o scarse prestazioni del prodotto.

Questo dispositivo deve essere installato attenendosi alle seguenti istruzioni.

Scollegare l'alimentazione del veicolo o dell'imbarcazione prima di installare il prodotto.

⚠ ATTENZIONE

L'esposizione costante a livelli di pressione audio superiori a 100 dBA può causare perdita di udito permanente. Generalmente il volume è troppo alto se non si riescono a sentire le persone che parlano. Limitare la quantità di tempo in cui si utilizza il volume alto. Se si avvertono fischi alle orecchie o suoni ovattati, interrompere l'ascolto e far controllare l'udito.

Durante le operazioni di foratura, taglio o carteggiatura, indossare degli occhiali protettivi, una maschera antipolvere e un'adeguata protezione per l'udito.

AVVISO

Prima di effettuare fori o tagli verificare l'eventuale presenza di oggetti nel lato opposto della superficie da tagliare.

Per prestazioni ottimali, è consigliata l'installazione del sistema audio da parte di un tecnico specializzato.

Leggere tutte le istruzioni di installazione prima di iniziare l'installazione. In caso di difficoltà durante l'installazione, visitare il sito Web www.fusionentertainment.com per assistenza relativa ai prodotti.

Dopo aver installato il subwoofer, impostare un volume medio-basso per le prime ore di utilizzo. Ciò consente di migliorare l'audio complessivo allentando gradualmente i componenti mobili del subwoofer, ad esempio il cono, il ragno e il surround

Contenuto della confezione

- 1 subwoofer
- 6 viti di montaggio Phillips in acciaio inossidabile 4,8 mm x 50 mm (10 poll. x 2 poll.)
- Dima per il montaggio
- Griglia (solo modelli Classico)
- 1 cavo stagnato per il collegamento dei LED (6 m) (solo modelli Sport)
- Chiave esagonale (solo modelli Sport)

Strumenti necessari per l'installazione

- Trapano elettrico
- Punta da trapano (la dimensione varia in base al materiale della superficie)
- Cacciavite Phillips
- Spelacavi
- Crimpatrice
- Nastro isolante
- Sega o taglierino per tagliare il materiale della superficie
- Sigillante marino (opzionale)
- Sezione cavi dell'altoparlante adatta alla lunghezza richiesta

NOTA: per le installazioni personalizzate, potrebbero essere necessari altri strumenti e materiali.

Informazioni sull'installazione

Selezionare la posizione di installazione corretta è fondamentale per ottimizzare le prestazioni del sistema audio. Il subwoofer FUSION è progettato per funzionare nella gamma più ampia possibile di posizioni di installazione, tuttavia maggiore sarà la pianificazione dell'installazione, migliore sarà la qualità dell'audio emesso dal subwoofer.

- Il sistema audio deve essere spento prima di effettuare qualsiasi collegamento. In caso contrario potrebbero verificarsi danni permanenti al sistema audio.
- Proteggere tutti i terminali e le connessioni da incagliamenti. In caso contrario potrebbero verificarsi danni permanenti al sistema audio che invalideranno la garanzia del prodotto.
- Proteggere i cavi del subwoofer da oggetti acuminati e utilizzare sempre occhielli di gomma per i cablaggi nei pannelli.
- La posizione di installazione deve evitare potenziali ostacoli, ad esempio carburante, tubi idraulici e cavi.
- La posizione di installazione deve fornire ingombro sufficiente alla profondità di installazione del subwoofer, come indicato nei disegni e nelle specifiche del prodotto.
- Laddove possibile, l'area dietro a ciascun subwoofer deve essere racchiusa.
- Per evitare interferenze con una bussola magnetica, installare il subwoofer rispettando la distanza di sicurezza dalla bussola indicata nelle specifiche del prodotto.
- Selezionare una superficie di installazione piatta per sigillare in modo ottimale.
- Per prestazioni ottimali dei bassi, installare il subwoofer in un'area che prevede spazio sufficiente dietro il subwoofer. Un'area troppo ridotta limita i bassi e un'area troppo vasta compromette le prestazioni dei bassi. Posizione un subwoofer vicino a un'area aperta produce bassi più attenuati.
- Se un subwoofer non viene esposto all'ambiente esterno, è possibile ottenere migliori prestazioni dei bassi utilizzando un involucro dotato di porte. Visualizzare le note per la protezione ottimale. Tali note specificano esclusivamente il volume e, per l'opzione con porte, viene fornita la dimensione e la lunghezza ottimale delle porte.
- Se si decide di installare il subwoofer al di fuori dell'imbarcazione, osservare quanto segue.
 - Se montato correttamente, il subwoofer ha un grado di protezione IP65 per l'impiego in ambienti marini difficili. L'esposizione all'acqua e i danni alla parte posteriore del subwoofer invalidano la garanzia.
 - Il subwoofer deve essere installato in una posizione nettamente sopra la superficie dell'acqua, in modo tale che non venga sommerso.
 - Installare il subwoofer in una posizione che eviti danni causati da banchine, piloni o altre attrezzature.
 - Ciò include l'installazione in un involucro sigillato, specialmente se lavabile. Una porta o una presa d'aria potrebbero consentire all'acqua di penetrare nell'involucro e danneggiare il subwoofer.

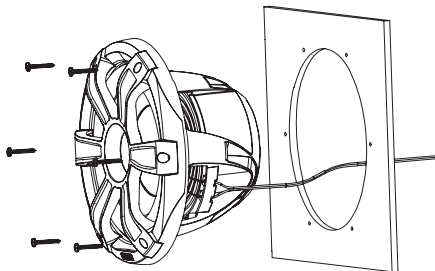
Installazione del subwoofer

Prima di installare il subwoofer, scegliere una posizione con sufficiente ingombro dietro la superficie di installazione. Per informazioni sull'ingombro e sulle specifiche consultare i disegni della parte laterale.

Prima di installare il subwoofer, scegliere una posizione seguendo le linee guida precedenti.

Se si sta sostituendo un subwoofer FUSION MS-SW10 10" con il subwoofer Signature Series modello Classico 10", vedere la sezione *Sostituzione di un subwoofer FUSION MS-SW10 10"*.

- 1 Passare i cavi dalla sorgente alla posizione del subwoofer, lontano da fonti di interferenza elettrica.
- 2 Rifinire la dima e accertarsi che sia idonea per la posizione selezionata.
- 3 Orientare la dima con il logo FUSION rivolto verso la parte inferiore della dima.
- 4 Fissare la dima nella posizione di installazione.
- 5 Con una punta da trapano compatibile con la superficie di installazione, praticare un foro all'interno della linea tracciata sulla dima per prepararsi al taglio della superficie di installazione.
- 6 Tagliare con una sega o con uno strumento a rotazione la superficie di installazione seguendo l'interno della linea sulla dima.
- 7 Posizionare il subwoofer nel foro per verificare l'ingombro.
- 8 Se necessario, utilizzare una lima e della carta abrasiva per rifinire l'incasso.
- 9 Dopo aver inserito correttamente il subwoofer nell'incasso, accertarsi che i fori di montaggio su quest'ultimo siano allineati ai fori di riferimento sulla dima.
- 10 Se i fori non sono allineati segnare le nuove posizioni.
- 11 Con una punta da trapano di dimensioni compatibili con la superficie di installazione e con il tipo di viti, praticare i fori.
- 12 Rimuovere la dima dalla superficie di installazione.
- 13 Collegare i cavi del subwoofer osservando la polarità.
Per ulteriori informazioni sulla polarità dei cavi, vedere *Ottimizzazione dell'audio del subwoofer*.
- 14 Se necessario, collegare i cavi LED al subwoofer modello Sport (vedere *Cavi LED del subwoofer modello Sport*).
- 15 Posizionare il subwoofer nell'incasso.



- 16 Fissare il subwoofer alla superficie di installazione utilizzando le viti in dotazione.

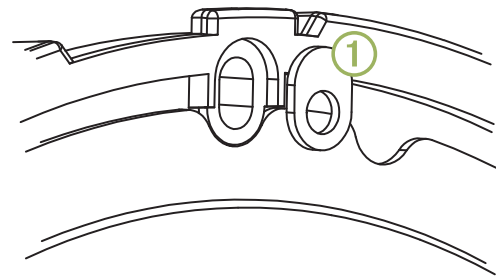
NOTA: non serrare eccessivamente le viti, specialmente se la superficie di installazione non è piana.

Per il subwoofer modello Classico, è necessario collegare la griglia alla parte anteriore (vedere *Collegamento della griglia al subwoofer modello Classico*).

Sostituzione di un subwoofer FUSION MS-SW10 10"

È possibile sostituire un subwoofer FUSION MS-SW10 10" con il subwoofer Signature Series modello Classico 10". Non è necessario tagliare o praticare nuovi fori.

- 1 Rimuovere l'MS-SW10 dalla superficie di installazione.
- 2 Rimuovere ciascuna rondella oblunga dalla parte anteriore del subwoofer Signature Series.
- 3 Ruotare ciascuna rondella ① in modo che il foro sia orientato verso il centro del subwoofer.
- 4 Dopo aver ruotato la rondella, reinserirla nel subwoofer.



- 5 Continuare l'installazione del subwoofer, iniziando dal passo 13 della sezione *Installazione del subwoofer*.

Cavi LED del subwoofer modello Sport

Collegamento dei cavi LED al subwoofer modello Sport

NOTA: questa funzione è disponibile solo per il subwoofer modello Sport.

È possibile controllare il colore dei LED in base alla polarità dei cavi LED.

- 1 Con una chiave esagonale, allentare le viti sui terminali dei cavi sulla parte posteriore del subwoofer.
- 2 Collegare i cavi nero e rosso al terminale in base al colore LED preferito.

LED blu	Nero a negativo (-) Rosso a positivo (+)
LED bianco	Nero a positivo (+) Rosso a negativo (-)

- 3 Con una chiave esagonale, serrare le viti sui terminali dei cavi.

Collegamento dei cavi LED del subwoofer modello Sport all'alimentazione

NOTA: questa funzione è disponibile solo per il subwoofer modello Sport.

Tutti i cablaggi da 12 V cc ai LED devono essere saldati in corrispondenza dell'estremità della sorgente di alimentazione del cavo mediante un fusibile 3 A. Il cavo di alimentazione rosso (+) deve essere collegato a una sorgente da 12 V cc tramite un interruttore/sezionatore o un interruttore automatico per accendere e spegnere i LED del subwoofer. È possibile utilizzare lo stesso interruttore/sezionatore o interruttore automatico che controlla l'alimentazione dello stereo per accendere e spegnere contemporaneamente i LED e lo stereo.

Se fosse necessario prolungare i cavi rosso e nero, utilizzare un cavo da 0,5 mm (20 AWG²) o di maggiore spessore.

- 1 Passare il cavo rosso (+) e il cavo nero di terra (-) attraverso la batteria e il subwoofer.
- 2 Collegare il cavo nero al terminale negativo (-) della batteria.
- 3 Collegare il cavo rosso al terminale positivo (+) della batteria mediante un fusibile 3 A e un interruttore/sezionatore o interruttore automatico.

Collegamento della griglia al subwoofer modello Classico

NOTA: questa funzione è disponibile solo per il subwoofer modello Classico.

- 1 Con il subwoofer installato, posizionare la griglia con il logo FUSION rivolto verso la parte inferiore, posizionato a ore 6.
- 2 Ruotare la griglia in senso antiorario di circa 10°, in modo che il logo FUSION sia posizionato a ore 5.
- 3 Posizionare la griglia sul cerchio del subwoofer.
- 4 Ruotare la griglia in senso orario per fissarla.

Ottimizzazione dell'audio del subwoofer

Mentre si installa il subwoofer, è possibile garantirne l'ottimizzazione dell'audio impostandolo in modalità fuori fase. È possibile scambiare i cavi positivo e negativo sul subwoofer per impostarlo in modalità fuori fase.

Impostando il subwoofer in modalità fuori fase rispetto agli altoparlanti, è possibile verificare se i bassi vengono emessi dal subwoofer o dagli altoparlanti. Se la modalità fuori fase consente di capire meglio che i bassi vengono emessi dagli altoparlanti, il cablaggio fuori fase è quello corretto per il proprio sistema.

È possibile impostare il subwoofer in modalità fuori fase, montandolo temporaneamente sulla superficie di montaggio utilizzando solo tre viti tra quelle fornite. A seconda del risultato del test, fissare le viti rimanenti o rimuovere il subwoofer per correggere la polarità dei cavi.

Ulteriori informazioni

Prodotti True-Marine

I prodotti True-Marine sono soggetti a rigorosi test ambientali in condizioni marine difficili per superare le linee guida del settore dei prodotti per la nautica.

I prodotti che includono il bollino di garanzia True-Marine sono stati progettati per la semplicità d'uso e combinano le tecnologie per la nautica più avanzate per offrire un'esperienza di intrattenimento leader del settore. Tutti i prodotti True-Marine sono supportati dalla garanzia mondiale del consumatore FUSION limitata di 3 anni.

Regolatore di tensione LED opzionale

È possibile utilizzare un regolatore di tensione LED (accessorio opzionale SG-VREGLLED) per regolare l'alimentazione di tensione della batteria per le luci LED. È possibile utilizzare il regolatore di tensione se si notano cambiamenti nei livelli di luminosità quando il motore è acceso, in carica oppure alimentato esclusivamente a batteria. Il regolatore di tensione può alimentare i LED di massimo dieci altoparlanti o subwoofer Signature Series; ad esempio otto altoparlanti e due subwoofer.

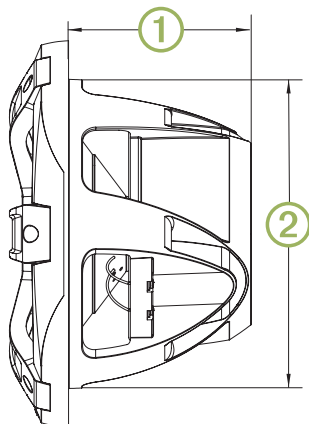
Registrazione del Signature Series

Per un'assistenza completa, eseguire subito la registrazione in linea.

- Visitare il sito Web www.fusionentertainment.com.
- Conservare in un luogo sicuro la ricevuta di acquisto originale o la fotocopia.

Disegni di ingombro del subwoofer

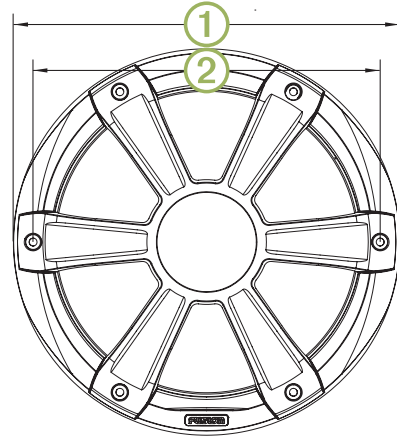
Vista laterale



①	130 mm (5 1/8 poll.)
②	220 mm (8 21/32 poll.)

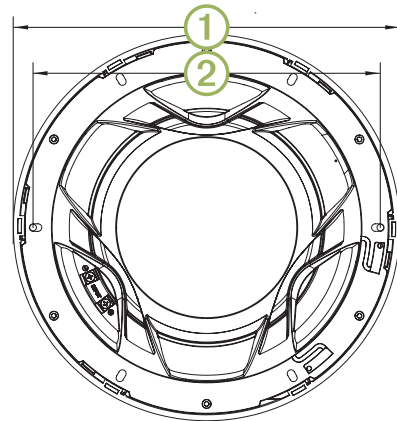
Nell'esempio viene mostrato un subwoofer modello Sport, ma le dimensioni sono le stesse del subwoofer modello Classico.

Vista anteriore del modello Sport



①	275 mm (10 53/64 poll.)
②	247 mm (9 23/32 poll.)

Vista posteriore del modello Classico



①	275 mm (10 53/64 poll.)
②	247 mm (9 23/32 poll.)

Pulizia del subwoofer

AVVISO

Non utilizzare detergenti aggressivi o a base di solventi sul subwoofer. L'uso di tali detergenti può danneggiare il prodotto e invalidare la garanzia.

Se montato correttamente, questo subwoofer ha un grado di protezione IP65 per l'impiego in ambienti marini difficili. Il subwoofer non è progettato per resistere a spruzzi d'acqua ad alta pressione, che potrebbero verificarsi durante il lavaggio dell'imbarcazione. Gli spruzzi d'acqua possono danneggiare il prodotto e invalidare la garanzia.

- 1 Rimuovere l'acqua salata e i residui di sale dalla griglia del subwoofer con un panno soffice inumidito con acqua dolce.
- 2 Utilizzare un detergente delicato per rimuovere gli accumuli di sale o le macchie d'acqua.

Risoluzione dei problemi

Prima di contattare il rivenditore FUSION o il centro assistenza, effettuare una semplice procedura per diagnosticare il problema.

Se il subwoofer FUSION è stato installato da una ditta di installazione professionale, contattare la ditta in modo che i tecnici possano valutare il problema e fornire possibili soluzioni.

Dal subwoofer non proviene alcun suono

- Verificare che tutti i collegamenti siano collegati correttamente ai terminali appropriati.

Il sistema non emette i bassi

- Verificare che il subwoofer sia collegato saldamente alla superficie di installazione.

L'audio è distorto

- Verificare che i pannelli che circondano il subwoofer sull'imbarcazione non emettano fruscii.
- Verificare che l'amplificatore sia collegato correttamente ai terminali del subwoofer.
- Se il subwoofer è collegato a un amplificatore, verificare che il livello di input dell'amplificatore corrisponda al livello di output dello stereo.

Per ulteriori informazioni, consultare il manuale dell'amplificatore.

Le luci LED non si accendono

- Verificare che tutti i collegamenti dei cavi siano corretti e saldi.

I LED pulsano con le note musicali basse

- Installare un regolatore di tensione LED FUSION (SG-VREGLED).

Specifiche

Potenza massima (Watt)	450 W
Potenza RMS (Watt)	250 W
Efficienza (1 W/1 m)	88 dB
Risposta in frequenza (+ 3 dB)	Da 30 Hz a 2 kHz
Minima minima (ingombro)	133 mm (5 ¹⁵ / ₆₄ poll.)
Diametro di installazione (ingombro)	223 mm (8 ²⁵ / ₃₂ poll.)
Impedenza	4 ohm
Raccomandazione sulla classificazione di potenza dell'amplificatore	RMS da 50 a 300 W, riproduzione di musica
Distanza di sicurezza dalla bussola*	520 cm (204 ²³ / ₃₂ poll.)
Tensione di alimentazione LED (solo per modello Sport)	Da 10,8 a 16 V CC
Corrente di carico LED a 14,4 V cc (solo per modello Sport)	150 mA
Temperatura operativa	Da 0 a 50 °C (da 32 a 122 °F)
Temperatura di stoccaggio	Da -20 a 70 °C (da -4 a 158 °F)
Classificazione di impermeabilità e resistenza alla polvere	IEC 60529 IP65

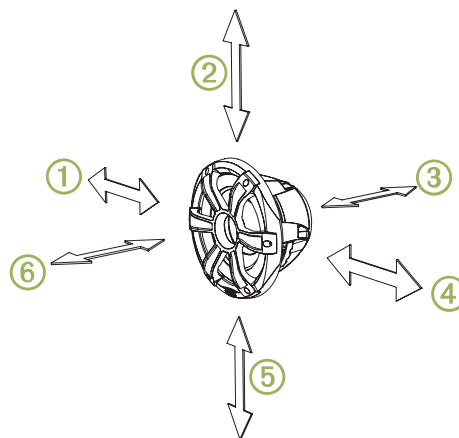
*Questa informazione viene fornita in conformità allo standard IEC 60945. Per ulteriori informazioni, vedere di seguito.

Distanza di sicurezza del subwoofer dalla bussola

Tutti gli altoparlanti e i subwoofer contengono magneti che possono causare interferenze con le strumentazioni sull'imbarcazione. La dimensione del magnete utilizzato nel subwoofer influisce sulla quantità di interferenza causata dal subwoofer.

L'interferenza può causare deviazioni e variazioni nelle letture delle apparecchiature di navigazione sensibili, ad esempio le bussole magnetiche. Tali deviazioni possono causare imprecisioni o differenze nelle letture, ma non causeranno danni alle apparecchiature. Per ridurre le deviazioni, regolare la bussola per la deviazione attenendosi alle istruzioni fornite dal produttore o allontanare il subwoofer dalle apparecchiature di navigazione. Dopo aver spostato una fonte di interferenza, è possibile ricalibrare la bussola.

Per evitare deviazioni alle apparecchiature di navigazione, posizionare il subwoofer alla distanza minima indicata nella tabella riportata di seguito dalle apparecchiature di navigazione.



Direzione dal subwoofer	Subwoofer da 10"
①	302 cm (9 piedi 11 poll.)
②	295 cm (9 piedi 9 poll.)
③	513 cm (16 piedi 10 poll.)
④	277 cm (9 piedi 2 poll.)
⑤	295 cm (9 piedi 9 poll.)
⑥	488 cm (16 piedi)

Note per la protezione ottimale

Volume del rivestimento sigillato*	17,2 L (0,6 piedi ³)
Volume del rivestimento con porte (ventilato)**	45 L (1,6 piedi ³)
Diametro della porta	104 mm (4 poll.)
Lunghezza della porta	265 mm (10 ²⁹ / ₆₄ poll.)

*Riempito completamente con materiale assorbente.

**Rivestito con materiale assorbente.

Subwoofer der Signature Series – Installationsanweisungen

Wichtige Sicherheitsinformationen

⚠️ WARNUNG

Wenn Sie die Warnungen und Vorsichtshinweise nicht beachten, könnte es zu Personenschäden, Schäden am Fahrzeug oder Boot oder zu einer schlechten Leistung des Produkts kommen.

Das Gerät muss gemäß diesen Anweisungen installiert werden.

Beginnen Sie erst mit der Installation dieses Produkts, wenn Sie die Stromversorgung des Fahrzeugs oder Boots getrennt haben.

⚠️ ACHTUNG

Wenn Sie fortwährend Schalldruckpegeln von mehr als 100 dBA ausgesetzt sind, können Sie Ihr Gehör dauerhaft schädigen. In der Regel ist die Lautstärke zu hoch eingestellt, wenn Sie Menschen, die sich in Ihrer Nähe unterhalten, nicht hören können. Begrenzen Sie in diesem Zusammenhang den Zeitraum, in dem Sie sich einer erhöhten Lautstärke aussetzen. Bei Klingelgeräuschen im Ohr oder der Wahrnehmung gedämpfter Töne sollten Sie das Anhören von Musik oder Ähnlichem einstellen und Ihr Gehör überprüfen lassen.

Tragen Sie beim Bohren, Schneiden und Schleifen immer Schutzbrille, Gehörschutz und eine Staubschutzmaske.

HINWEIS

Prüfen Sie beim Bohren oder Schneiden stets die andere Seite der zu bearbeitenden Fläche.

Es wird dringend empfohlen, das Audiosystem von Fachpersonal installieren zu lassen, um eine optimale Leistung zu erzielen.

Lesen Sie die gesamten Installationsanweisungen, bevor Sie mit der Installation beginnen. Sollten bei der Installation Probleme auftreten, finden Sie unter www.fusionentertainment.com Supportinformationen.

Nach der Installation des Subwoofers sollten Sie während der ersten Stunden der Benutzung eine niedrige oder mittlere Lautstärke wählen. Dadurch wird der Klang verbessert, da die beweglichen Teile des Subwoofers langsam gelöst werden, z. B. Membran, Spinne und Gehäuse.

Lieferumfang

- 1 Subwoofer
- 6 Kreuzschlitz-Befestigungsschrauben aus Edelstahl, 4,8 mm x 50 mm (AWG 10 x 2 Zoll)
- Montageschablone
- Gitter (nur klassische Modelle)
- 1 verzinntes LED-Verbindungskabel (6 m) (nur Sportmodelle)
- Inbusschlüssel (nur Sportmodelle)

Erforderliches Werkzeug

- Elektrische Bohrmaschine
- Bohrer (die Größe variiert je nach Material der Oberfläche)
- Kreuzschlitzschraubendreher
- Seitenschneider
- Crimpzange
- Isolierband
- Geeignete Säge oder Teppichmesser zum Schneiden der Oberfläche
- Seewassertaugliches Dichtungsmittel (optional)
- Lautsprecherleitung mit einem angemessenen Leitungsquerschnitt für die erforderliche Länge

HINWEIS: Bei einer individuell angepassten Installation ist u. U. zusätzliches Werkzeug und Material erforderlich.

Hinweise zur Montage

Die Auswahl des richtigen Montageorts ist für eine optimale Leistung des Audiosystems unerlässlich. FUSION Subwoofer wurden so entwickelt, dass sie an möglichst vielen Montageorten montiert werden können. Je besser Sie die Installation planen, desto besser wird der Klang des Subwoofers sein.

- Das Audiosystem muss ausgeschaltet sein, bevor Sie Verbindungen herstellen. Andernfalls könnte es zu dauerhaften Schäden am Audiosystem kommen.
- Schützen Sie alle Anschlüsse und Verbindungen vor Erdung, und achten Sie darauf, dass sie sich nicht berühren. Andernfalls könnte das Audiosystem dauerhaft beschädigt werden und die Produktgarantie erlöschen.
- Halten Sie die Leitungen von scharfen Gegenständen fern, und verwenden Sie beim Verlegen der Kabel durch Konsolen stets Gummitüllen.
- Der Montageort muss frei von möglichen Hindernissen wie Kraftstoff- und Hydraulikleitungen sowie -kabeln sein.
- Am Montageort muss ausreichend Freiraum für die in den Zeichnungen der Seitenansicht und in den technischen Daten des Produkts angegebene Montagetiefe des Subwoofers sein.
- Der Bereich hinter den einzelnen Subwoofern sollte nach Möglichkeit geschlossen sein.
- Damit es nicht zu Interferenzen mit Magnetkompassen kommt, muss bei der Montage des Subwoofers der in den technischen Daten zum Produkt aufgeführte Sicherheitsabstand zum Kompass eingehalten werden.
- Wählen Sie eine flache Montagefläche, um eine optimale Dichtung zu erzielen.
- Verbessern Sie die Bassleistung, indem Sie den Subwoofer an einem Ort montieren, der hinter dem Subwoofer gerade ausreichend Platz bietet. Ist der Platz zu klein, wird der Bass gehemmt. Ist er zu groß, wird die Bassleistung eingeschränkt. Ein Subwoofer in der Nähe eines offenen Bereichs sorgt für den geringsten Bass.
- Wenn ein Subwoofer nicht im Freien montiert ist, wird die Bassleistung durch ein Bassreflexgehäuse verbessert. Weitere Informationen finden Sie in den Empfehlungen für ein optimales Gehäuse. Diese Empfehlungen führen lediglich das Volumen an, wobei für das Bassreflexgehäuse auch eine optimale Öffnungsgröße und -länge angegeben ist.
- Wenn Sie den Subwoofer an der Außenseite des Boots montieren möchten, beachten Sie diese Hinweise.
 - Bei ordnungsgemäßer Montage entspricht der Subwoofer der Schutzklasse IP65 für den Schutz vor den harten Bedingungen auf See auf der Vorderseite des Subwoofers. Wenn die Rückseite des Subwoofers Feuchtigkeit ausgesetzt wird oder sie beschädigt wird, führt dies zum Erlöschen der Garantie.
 - Montieren Sie den Subwoofer an einem Ort, an dem er sich weit oberhalb der Wasserlinie und nicht unter Wasser befindet.
 - Der Subwoofer muss an einem Ort montiert werden, an dem er nicht durch Docks, Pfeiler oder andere Teile beschädigt werden kann.
 - Der Subwoofer sollte in einem geschlossenen Gehäuse montiert werden, insbesondere, wenn er abfließendem Wasser ausgesetzt ist. Durch eine Öffnung kann sich Wasser im Gehäuse sammeln, was eine Beschädigung des Subwoofers zur Folge haben kann.

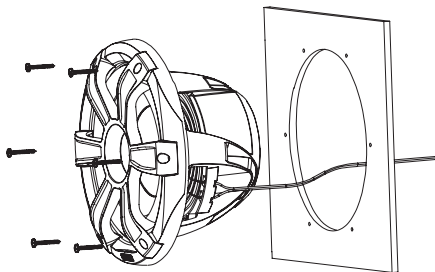
Montieren des Subwoofers

Wählen Sie vor der Montage des Subwoofers einen Montageort aus, der hinter der Montagefläche genug Freiraum bietet. Informationen zum Freiraum finden Sie in den Zeichnungen der Seitenansicht und in den technischen Daten.

Wählen Sie vor der Montage des Subwoofers einen Montageort aus. Beachten Sie dabei die Hinweise zur Montage.

Wenn Sie einen FUSION MS-SW10 10 Zoll-Subwoofer durch das klassische Modell der Signature Series mit 10 Zoll austauschen, finden Sie weitere Informationen unter *Replacing a FUSION MS-SW10 10" Subwoofer*.

- 1 Verlegen Sie die Leitungen von der Quelle zum Montageort des Subwoofers. Dabei muss ausreichend Abstand zu elektronischen Störquellen bestehen.
- 2 Schneiden Sie die Schablone zu, und achten Sie darauf, dass sie an den gewählten Montageort passt.
- 3 Richten Sie die Schablone so aus, dass sich das FUSION Logo unten befindet.
- 4 Befestigen Sie die Schablone am gewählten Ort.
- 5 Bringen Sie mit einem für die Montagefläche geeigneten Bohrer ein Loch in der gestrichelten Linie auf der Schablone an, um die Montagefläche für das Schneiden vorzubereiten.
- 6 Schneiden Sie mit einer Stichsäge oder einem Multifunktionswerkzeug die Montagefläche entlang der Innenseite der Schablone aus.
- 7 Setzen Sie den Subwoofer in den Ausschnitt ein, um den Sitz zu testen.
- 8 Passen Sie den Durchmesser des Ausschnitts bei Bedarf mit Feile und Sandpapier an.
- 9 Wenn der Subwoofer ordnungsgemäß im Ausschnitt sitzt, vergewissern Sie sich, dass die Montagelöcher am Subwoofer auf die Vorbohrungen der Schablone ausgerichtet sind.
- 10 Ist das nicht der Fall, kennzeichnen Sie neue Positionen für die Löcher.
- 11 Bringen Sie mit einem für die Montagefläche und den Schraubentyp geeigneten Bohrer die Löcher an.
- 12 Entfernen Sie die Schablone von der Montagefläche.
- 13 Verbinden Sie die Subwooferleitungen, und achten Sie dabei auf die korrekte Ausrichtung der Pole.
Weitere Informationen zur Polarität der Leitungen finden Sie unter *Subwoofer Sound Optimization*.
- 14 Verbinden Sie bei Bedarf die LED-Leitungen mit dem Subwoofer des Sportmodells (siehe *Sports Model LED Wiring*).
- 15 Setzen Sie den Subwoofer in den Ausschnitt ein.



- 16 Sichern Sie den Subwoofer mit den mitgelieferten Schrauben an der Montagefläche.

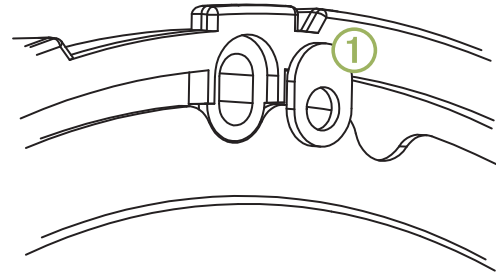
HINWEIS: Ziehen Sie die Schrauben nicht zu fest an. Dies gilt besonders dann, wenn die Montagefläche nicht flach ist.

Befestigen Sie das Gitter beim Subwoofer des klassischen Modells an der Vorderseite (siehe *Attaching the grille to the Classic Model Subwoofer*).

Austauschen eines FUSION MS-SW10 10-Zoll-Subwoofers

Sie können einen FUSION MS-SW10 10-Zoll-Subwoofer durch das klassische Modell der Signature Series mit 10 Zoll austauschen. Sie müssen keine Schneidarbeiten ausführen und auch keine neuen Löcher bohren.

- 1 Entfernen Sie den MS-SW10 von der Montagefläche.
- 2 Entfernen Sie alle länglichen Unterlegscheiben von der Vorderseite des Subwoofers der Signature Series.
- 3 Richten Sie die Unterlegscheiben ① so aus, dass das Loch zur Mitte des Subwoofers zeigt.
- 4 Nachdem die Unterlegscheibe richtig ausgerichtet ist, setzen Sie sie wieder in den Subwoofer ein.



- 5 Fahren Sie mit der Montage des Subwoofers fort. Beginnen Sie dabei mit Schritt 13 unter *Mounting the Subwoofer*.

LED-Verkabelung beim Sportmodell

Verbinden der LED-Leitungen mit dem Subwoofer des Sportmodells

HINWEIS: Diese Funktion ist nur bei Subwoofern des Sportmodells verfügbar.

Die Farbe der LEDs lässt sich mittels der Polarität der LED-Leitungen steuern.

- 1 Lösen Sie mit dem Inbusschlüssel die Schrauben am Kabelschuh auf der Rückseite des Subwoofers.
- 2 Verbinden Sie die schwarze und die rote Leitung entsprechend Ihrer bevorzugten LED-Farbe mit dem Anschluss.

Blaue LED	Schwarz zum Minuspol (-) Rot zum Pluspol (+)
Weißer LED	Schwarz zum Pluspol (+) Rot zum Minuspol (-)

- 3 Ziehen Sie mit dem Inbusschlüssel die Schrauben am Kabelschuh an.

Verbinden der LED-Leitungen des Subwoofers des Sportmodells mit der Stromversorgung

HINWEIS: Diese Funktion ist nur bei Subwoofern des Sportmodells verfügbar.

Alle 12-V-Gleichspannungskabelverbindungen mit den LEDs erfordern eine 3-A-Sicherung am Kabelende zur Stromversorgung. Die rote Stromleitung (+) wird über einen Trennschalter oder Unterbrecher mit einer 12-V-Gleichspannungsquelle verbunden, um die LEDs ein- und auszuschalten. Sie können denselben Trennschalter oder Unterbrecher verwenden, der die Stromversorgung zum Radio regelt. So lassen sich die LEDs und das Radio gleichzeitig ein- und ausschalten.

Wenn die roten und schwarzen Leitungen verlängert werden müssen, verwenden Sie Leitungen mit einer Stärke von mindestens 0,5 mm² (AWG 20).

- 1 Führen Sie die rote Stromleitung (+) und die schwarze Masseleitung (-) zur Batterie und zum Subwoofer.
- 2 Verbinden Sie die schwarze Leitung mit dem Minuspol (-) der Batterie.

- Verbinden Sie die rote Leitung über eine 3-A-Sicherung und einen Trennschalter bzw. Unterbrecher mit dem Pluspol (+) der Batterie.

Befestigen des Gitters am Subwoofer des klassischen Modells

HINWEIS: Diese Funktion ist nur bei Subwoofern des klassischen Modells verfügbar.

- Montieren Sie zunächst den Subwoofer. Halten Sie das Gitter dann so, dass sich das FUSION Logo unten befindet (6-Uhr-Position).
- Drehen Sie das Gitter ca. 10° gegen den Uhrzeigersinn. Das FUSION Logo ist jetzt an der 5-Uhr-Position.
- Setzen Sie das Gitter auf den Rand des Subwoofers.
- Drehen Sie das Gitter im Uhrzeigersinn, um es sicher zu befestigen.

Optimierung des Subwoofer-Klangs

Während der Installation des Subwoofers können Sie den Klang des Subwoofers optimieren. Betreiben Sie den Subwoofer dazu phasenverschoben. Sie können die positiven und negativen Leitungen des Subwoofers tauschen, um ihn phasenverschoben zu betreiben.

Beim phasenverschobenen Betrieb des Subwoofers im Vergleich zu den Lautsprechern können Sie hören, ob der Bass vornehmlich aus Richtung des Subwoofers oder der Lautsprecher kommt. Wenn sich beim phasenverschobenen Betrieb des Subwoofers ergibt, dass der Bass aus Richtung der Lautsprecher stärker ist, eignet sich die phasenverschobene Verkabelung für Ihr System.

Sie können den Subwoofer phasenverschoben betreiben, indem Sie ihn vorläufig nur mit drei der Befestigungsschrauben an der Montagefläche befestigen. Je nach Testergebnis können dann die übrigen Schrauben eingedreht oder der Subwoofer entfernt werden, um die Polarität der Leitungen zu korrigieren.

Weitere Informationen

True-Marine Produkte

True-Marine Produkte werden strengen Umweltprüfungen unter harten marinen Bedingungen unterzogen, um Branchenrichtlinien für Marineprodukte zu übertreffen.

Produkte mit dem True-Marine Qualitätsstempel wurden mit Blick auf eine einfache Bedienung entwickelt und weisen fortschrittliche Marinetchnologien auf, um im Bereich der Schifffahrt optimale Unterhaltung zu bieten. Alle True-Marine Produkte haben eine weltweite, eingeschränkte dreijährige FUSION Garantie.

Optionaler LED-Spannungsregler

Sie können mit einem LED-Spannungsregler (optionales Zubehör, SG-VREGLED) die Batteriespannungsversorgung zu den LEDs regeln. Verwenden Sie den Spannungsregler, wenn sich die Helligkeit beim Betrieb des Motors, beim Laden oder beim Betrieb nur mit Batterie ändern. Der Spannungsregler kann die LEDs von bis zu zehn Lautsprechern oder Subwoofern der Signature Series betreiben, beispielsweise vier Lautsprecherpaare und zwei Subwoofer.

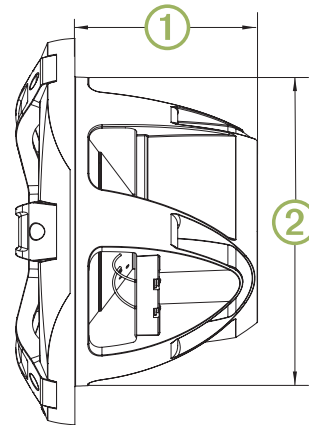
Registrieren des Signature Series

Helfen Sie uns, unseren Service weiter zu verbessern, und füllen Sie die Online-Registrierung noch heute aus.

- Rufen Sie die Website www.fusionentertainment.com auf.
- Bewahren Sie die Originalquittung oder eine Kopie an einem sicheren Ort auf.

Darstellung der Abmessungen

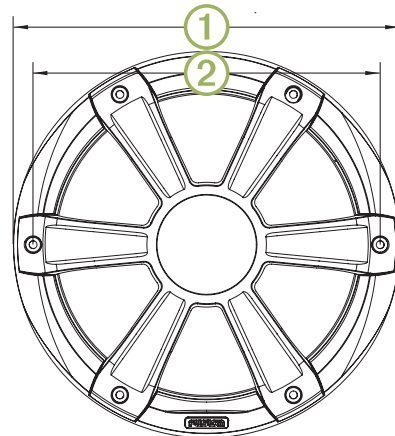
Seitenansicht



①	130 mm (5 1/8 Zoll)
②	220 mm (8 21/32 Zoll)

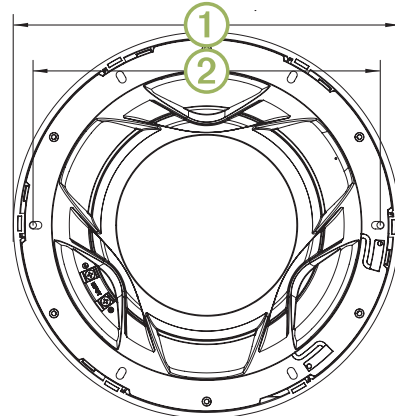
In der Darstellung ist ein Subwoofer des Sportmodells abgebildet. Die Abmessungen sind jedoch mit denen eines Subwoofers des klassischen Modells identisch.

Vorderansicht des Sportmodells



①	275 mm (10 53/64 Zoll)
②	247 mm (9 23/32 Zoll)

Rückansicht des klassischen Modells



①	275 mm (10 53/64 Zoll)
②	247 mm (9 23/32 Zoll)

Reinigen des Subwoofers

HINWEIS

Verwenden Sie am Subwoofer keine scharfen oder lösemittelhaltigen Reinigungsmittel. Die Verwendung derartiger Reinigungsmittel kann zur Beschädigung des Produkts und zum Erlöschen der Garantie führen.

Bei ordnungsgemäßer Montage entspricht dieser Subwoofer der Schutzklasse IP65 für den Schutz vor den harten Bedingungen auf See auf der Vorderseite des Subwoofers. Der Subwoofer widersteht keinem Hochdruckspritzwasser, wie es beispielsweise beim Reinigen des Schiffs auftreten kann. Seien Sie beim Reinigen des Schiffs mit Spritzwasser vorsichtig. Andernfalls kann es zu Schäden am Produkt und zum Erlöschen der Garantie kommen.

- 1 Entfernen Sie Salzwasser und Salzurückstände am Gitter mit einem Tuch, das mit klarem Wasser befeuchtet wurde.
- 2 Verwenden Sie ein mildes Reinigungsmittel, um starke Salzurückstände oder Flecken zu entfernen.

Fehlerbehebung

Bevor Sie sich mit einem FUSION Händler oder Service-Center in Verbindung setzen, führen Sie die hier beschriebenen einfachen Schritte zur Fehlerbehebung durch, um die Fehlerdiagnose zu erleichtern.

Wenn der FUSION Subwoofer von Fachpersonal installiert wurde, wenden Sie sich an das entsprechende Installationsunternehmen, damit sich ein Techniker das Problem ansehen und eine mögliche Lösung vorschlagen kann.

Der Subwoofer gibt keinen Ton aus

- Vergewissern Sie sich, dass alle Verbindungen ordnungsgemäß mit den entsprechenden Anschlüssen verbunden sind.

Das System gibt keine Bässe wieder

- Vergewissern Sie sich, dass der Subwoofer sicher an der Montagefläche befestigt ist.

Der Ton ist verzerrt

- Vergewissern Sie sich, dass die Konsolen um den Subwoofer auf dem Schiff nicht klappern.
- Vergewissern Sie sich, dass der Verstärker ordnungsgemäß mit den Subwooferanschlüssen verbunden ist.
- Wenn der Subwoofer mit einem Verstärker verbunden ist, stellen Sie sicher, dass der Eingangspegel des Verstärkers dem Ausgabepegel des Radios entspricht.

Weitere Informationen finden Sie im Handbuch des Verstärkers.

Die LEDs gehen nicht an

- Vergewissern Sie sich, dass die Verkabelung überall korrekt und sicher befestigt ist.

Die LEDs pulsieren bei den Basstönen der Musik

- Installieren Sie einen FUSION LED-Spannungsregler (SG-VREGLED).

Technische Daten

Maximale Leistung (Watt)	450 W
Effektive Leistung (Watt)	250 W
Wirkungsgrad (1 W/1 m)	88 dB
Frequenzgang (+ 3 dB)	30 Hz bis 2 kHz
Min. Montagetiefe (Freiraum)	133 mm (5 ¹⁵ / ₆₄ Zoll)
Montagedurchmesser (Freiraum)	223 mm (8 ²⁵ / ₃₂ Zoll)
Impedanz	4 Ohm

Empfehlungen zur Nennleistung des Verstärkers	50 bis 300 W (eff.), Musikwiedergabe
Sicherheitsabstand zum Kompass*	520 cm (204 ²³ / ₃₂ Zoll)
LED-Stromversorgung (nur Sportmodell)	10,8 bis 16 V Gleichspannung
LED-Laststrom bei 14,4 V Gleichspannung (nur Sportmodell)	150 mA
Betriebstemperaturbereich	0 °C bis 50 °C (32 °F bis 122 °F)
Lagertemperaturbereich	-20 °C bis 70 °C (-4 °F bis 158 °F)
Wasser- und Staubbeständigkeit	IEC 60529 IP65

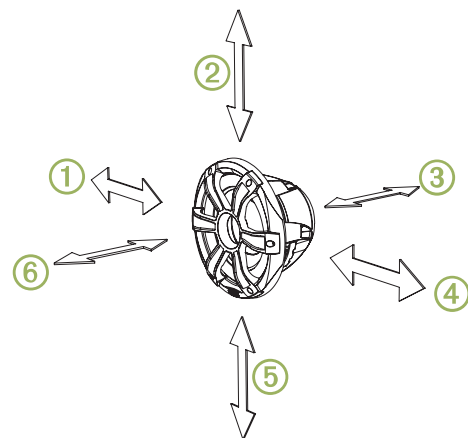
* Diese Informationen werden entsprechend IEC-Norm 60945 bereitgestellt. Weitere Informationen finden Sie unten.

Sicherheitsabstand zwischen Subwoofer und Kompass

Alle Lautsprecher und Subwoofer enthalten Magneten, die ggf. zu Störungen von Instrumenten an Bord führen können. Es hängt von der Größe des Magneten im Subwoofer ab, wie stark die vom Subwoofer evtl. verursachten Störungen sind.

Störungen können zu Abweichungen und Missweisungen bei den Messwerten empfindlicher Navigationsgeräte wie Magnetkompassen führen. Diese Abweichungen können ungenaue oder versetzte Messwerte hervorrufen, beschädigen die Geräte jedoch nicht. Verringern Sie die Abweichungen, indem Sie den Kompass entsprechend den Anweisungen des Herstellers für die Abweichung anpassen oder den Subwoofer aus der Nähe von Navigationsgeräten entfernen. Nachdem Sie eine Störquelle beseitigt haben, müssen Sie den Kompass ggf. neu kalibrieren.

Vermeiden Sie Abweichungen der Navigationsgeräte, indem Sie den Subwoofer so positionieren, dass mindestens der in der folgenden Tabelle aufgeführte Abstand zu Navigationsgeräten eingehalten wird.



Richtung vom Subwoofer	10-Zoll-Subwoofer
①	302 cm (9 Fuß und 11 Zoll)
②	295 cm (9 Fuß und 9 Zoll)
③	513 cm (16 Fuß und 10 Zoll)
④	277 cm (9 Fuß und 2 Zoll.)
⑤	295 cm (9 Fuß und 9 Zoll)
⑥	488 cm (16 Fuß)

Empfehlungen für ein optimales Gehäuse

Volumen eines geschlossenen Gehäuses*	17,2 l (0,6 ft ³)
Volumen eines Bassreflexgehäuses**	45 l (1,6 ft ³)
Durchmesser der Öffnung	104 mm (4 Zoll)
Länge der Öffnung	265 mm (10 ²⁹ / ₆₄ Zoll)

* Vollständig mit absorbierendem Material ausgekleidet.

** Mit absorbierendem Material ausgekleidet.

Instrucciones de instalación del subwoofer de la Signature Series

Información importante sobre seguridad

⚠ ADVERTENCIA

El incumplimiento de las advertencias y precauciones que se indican puede derivar en daños personales, en el vehículo o en la embarcación, así como en un rendimiento deficiente del producto.

El dispositivo debe instalarse de acuerdo con estas instrucciones.

Desconecta el suministro de alimentación del vehículo o la embarcación antes de iniciar la instalación del producto.

⚠ ATENCIÓN

La exposición constante a niveles de presión acústica superiores a los 100 dBA puede provocar la pérdida permanente de la audición. Si no puedes escuchar a la gente que te rodea, es probable que el volumen sea demasiado alto. Limita la cantidad de tiempo que escuchas el dispositivo con un volumen elevado. Si notas pitidos en el oído o escuchas las voces apagadas, deja de escuchar el dispositivo y acude a tu médico.

Utiliza siempre gafas de seguridad, un protector de oídos y una máscara antipolvo cuando vayas a realizar orificios, cortes o lijados.

AVISO

Al realizar orificios o cortes, comprueba siempre lo que hay al otro lado de la superficie.

Te recomendamos que la instalación del sistema de audio corra a cargo de un instalador profesional con el fin de garantizar un rendimiento óptimo.

Debes leer todas las instrucciones de instalación antes de proceder. Si tienes dificultades durante la instalación, visita www.fusionentertainment.com para obtener asistencia técnica. Tras instalar el subwoofer, debes utilizarlo con volúmenes bajos a medios durante las primeras horas. Esto ayudará a mejorar el sonido general, aflojando gradualmente los componentes móviles del subwoofer, como el cono, la araña y el marco.

Contenido de la caja

- 1 subwoofer
- 6 tornillos de montaje Phillips de acero inoxidable de 4,8 mm x 50 mm (calibre 10 x 2 in)
- Plantilla de montaje
- Rejilla (solo en modelos Clásico)
- 1 cable de conexión LED estañado (6 m) (solo en modelos Deportivo)
- Llave hexagonal (solo en modelos Deportivo)

Herramientas necesarias

- Taladro eléctrico
- Broca (el tamaño varía en función del material de la superficie)
- Destornillador Phillips
- Peladores de cables
- Herramienta de crimpado
- Cinta para aplicaciones eléctricas
- Sierra o cuchillo de uso general aptos para cortar el material de la superficie
- Sellador marino (opcional)
- Es necesario que el calibre del cableado del altavoz sea el adecuado para la longitud

NOTA: para instalaciones hechas a medida, es posible que se necesiten herramientas y materiales adicionales.

Especificaciones de montaje

La elección de la ubicación de montaje correcta es esencial para optimizar el rendimiento del sistema de audio. El subwoofer FUSION está diseñado para ofrecer el mejor rendimiento en el mayor número posible de superficies de montaje; no obstante, cuanto mejor planifiques la instalación, mayor será la calidad de sonido del subwoofer.

- El sistema de audio debe apagarse antes de realizar cualquier conexión. De lo contrario, el sistema de audio podría dañarse de forma permanente.
- Debes proteger todos los terminales y conexiones frente a cortocircuitos y evitar que entren en contacto entre ellos. De lo contrario, el sistema de audio podría dañarse de forma permanente y la garantía del producto se anularía.
- Debes mantener los cables lejos de objetos afilados y utilizar siempre arandelas de goma al pasar los cables a través de los paneles.
- La ubicación de montaje no debe estar expuesta a posibles obstáculos, como pueden ser conductos hidráulicos o de combustible, o cables.
- El subwoofer debe instalarse en una ubicación con suficiente espacio, en función de la profundidad de montaje que se indica en los gráficos de la vista lateral y en las especificaciones.
- Siempre que sea posible, el espacio detrás de cada subwoofer debe estar cerrado.
- Para evitar interferencias con un compás magnético, el subwoofer debe instalarse respetando la distancia de seguridad mínima del compás indicada en las especificaciones del producto.
- Debes elegir una superficie de montaje plana para que el espacio sea lo más hermético posible.
- Para un mejor rendimiento de los graves, el subwoofer debe instalarse en una zona en la que quede suficiente espacio tras él. Si el espacio es demasiado reducido, la calidad de los graves se verá limitada, y si es demasiado amplio, también afectará al rendimiento. Si se sitúa el subwoofer cerca de una zona abierta, se generarán menos graves.
- Si el subwoofer no está expuesto a elementos externos, se puede obtener un mejor rendimiento de los graves utilizando una caja reflectora de graves. Consulta las recomendaciones para seleccionar un diseño de caja óptimo. Estas recomendaciones indican únicamente el volumen; para la opción de caja reflectora de graves, también se especifica el tamaño de ventana y la longitud óptimos.
- Si vas a instalar el subwoofer en el exterior de la embarcación, ten en cuenta las siguientes especificaciones.
 - Si el subwoofer está montado correctamente, cuenta con un grado de resistencia al agua IP65 frente a las duras condiciones marinas en la parte frontal del mismo. En caso de que la parte posterior del subwoofer entre en contacto con el agua y resulte dañada, se anulará la garantía.
 - El subwoofer deberá montarse en una ubicación considerablemente superior al nivel del agua, de forma que no se sumerja.
 - Debe instalarse en una zona en la que no resulte dañado por los efectos de muelles, pilotes u otras instalaciones.
 - El subwoofer deberá instalarse en una caja sellada, en particular si está expuesto a la erosión del agua. Una ventana o abertura podría provocar que se acumulara agua en la caja, lo que podría causar daños en el subwoofer.

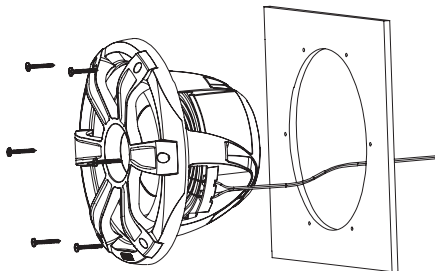
Instalación del subwoofer

Antes de proceder a la instalación del subwoofer, debes elegir una ubicación que cuente con suficiente espacio libre en la parte posterior. Consulta el gráfico de la vista lateral y las especificaciones para obtener información sobre el espacio libre.

Antes de montar el subwoofer, debes elegir una ubicación que cumpla las especificaciones de montaje.

Si vas a sustituir un subwoofer de 10" FUSION MS-SW10 por el subwoofer de 10" del modelo Clásico de la Signature Series, consulta la sección *Sustitución de un subwoofer de 10" FUSION MS-SW10*.

- 1 Lleva los cables desde la ubicación de origen hasta la ubicación de montaje, lejos de fuentes de interferencias eléctricas.
- 2 Recorta la plantilla y asegúrate de que encaja en la ubicación en la que deseas montar el sistema.
- 3 Coloca la plantilla de modo que el logotipo de FUSION quede en la parte inferior de la misma.
- 4 Fija la plantilla en la ubicación seleccionada.
- 5 Con una broca adecuada para la superficie de montaje, perfora un orificio en la parte interior de la línea discontinua de la plantilla con objeto de preparar la superficie de montaje para el corte.
- 6 Con una sierra de calar o herramienta giratoria, corta la superficie de montaje a lo largo de la parte interior de la línea indicada en la plantilla.
- 7 Coloca el subwoofer en la pieza recortada para comprobar si cabe.
- 8 Si es necesario, pule el tamaño de la pieza recortada con una lima y papel de lija.
- 9 Tras comprobar que el subwoofer encaja en la pieza recortada, asegúrate de que los orificios de montaje de este quedan alineados con los orificios guía de la plantilla.
- 10 Si no quedan alineados, marca nuevas ubicaciones para los orificios.
- 11 Perfora los orificios utilizando un tamaño de broca adecuado para la superficie de montaje y el tipo de tornillo.
- 12 Retira la plantilla de la superficie de montaje.
- 13 Conecta los cables del subwoofer teniendo en cuenta la polaridad.
Para obtener más información sobre la polaridad del cableado, consulta la sección *Optimización del sonido del subwoofer*.
- 14 Si es necesario, conecta los cables de las luces LED al subwoofer del modelo Deportivo (consulta la sección *Cableado de las luces LED en el modelo Deportivo*).
- 15 Coloca el subwoofer en la pieza recortada.



- 16 Fija el subwoofer a la superficie de montaje con los tornillos suministrados.

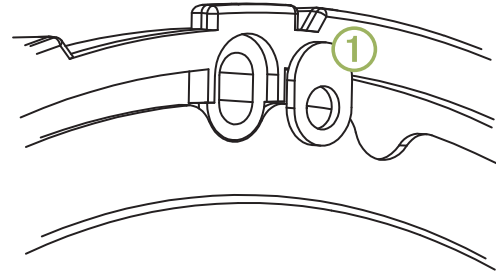
NOTA: no aprietes los tornillos en exceso, especialmente si la superficie de montaje no es plana.

Para el subwoofer del modelo Clásico, debes fijar la rejilla a la parte frontal (consulta la sección *Montaje de la rejilla en el subwoofer del modelo Clásico*).

Sustituir un subwoofer de 10" FUSION MS-SW10

Puedes sustituir un subwoofer de 10" FUSION MS-SW10 por el subwoofer de 10" del modelo Clásico de la Signature Series. No es necesario que cortes o perfores orificios nuevos.

- 1 Retira el subwoofer MS-SW10 de la superficie de montaje.
- 2 Retira cada una de las arandelas alargadas de la parte frontal del subwoofer de la serie Signature Series.
- 3 Gira las arandelas ① de forma que el orificio esté orientado hacia el centro del subwoofer.
- 4 Tras girar la arandela, vuelve a colocarla en el subwoofer.



- 5 Proceda a la instalación del subwoofer, comenzando por el paso 13 de la sección *Instalación del subwoofer*.

Cableado de las luces LED en el modelo Deportivo

Conexión de los cables de las luces LED al subwoofer del modelo Deportivo

NOTA: esta función solo está disponible en el subwoofer del modelo Deportivo.

Puedes controlar el color de los LED mediante la polaridad de los cables de las luces LED.

- 1 Utiliza la llave hexagonal para aflojar los tornillos de los terminales de cableado de la parte posterior del subwoofer.
- 2 Conecta los cables negro y rojo al terminal en función del color de LED que desees.

LED azul	Negro a terminal negativo (-) Rojo a terminal positivo (+)
LED blanco	Negro a terminal positivo (+) Rojo a terminal negativo (-)

- 3 Utiliza la llave hexagonal para apretar los tornillos de los terminales de cableado.

Conexión de los cables de las luces LED en el subwoofer del modelo Deportivo a la alimentación

NOTA: esta función solo está disponible en el subwoofer del modelo Deportivo.

Todos los cables de 12 V de CC de las luces LED deben contar con un fusible de 3 A en el extremo de la fuente de alimentación del cable. El cable de alimentación rojo (+) debe conectarse a una fuente de 12 V de CC mediante un interruptor de aislamiento o un disyuntor para que los LED se enciendan y se apaguen. Puedes utilizar el mismo interruptor de aislamiento o disyuntor para controlar el suministro de alimentación al sistema estéreo, lo que permitirá que los LED y el sistema estéreo se enciendan y apaguen a la vez.

Si es necesario alargar los cables rojo y negro, debes utilizar un cable de 0,5 mm² (20 AWG) o de un grosor superior.

- 1 Lleva el cable de alimentación rojo (+) y el cable de tierra negro (-) hacia la batería y el subwoofer.
- 2 Conecta el cable negro al terminal negativo (-) de la batería.

- 3 Conecta el cable rojo al terminal positivo (+) de la batería mediante un fusible de 3 A y un interruptor de aislamiento o disyuntor.

Montaje de la rejilla en el subwoofer del modelo Clásico

NOTA: esta función solo está disponible en el subwoofer del modelo Clásico.

- 1 Una vez instalado el subwoofer, sostén la rejilla de forma que el logotipo de FUSION quede en la parte inferior o en la posición de las 6 en punto.
- 2 Gira la rejilla en sentido contrario a las agujas del reloj unos 10°, de forma que el logotipo de FUSION quede en la posición de las 5 en punto.
- 3 Coloca la rejilla en el borde del subwoofer.
- 4 Gírala en el sentido de las agujas del reloj para fijarla.

Optimización del sonido del subwoofer

Para comprobar si el sonido del subwoofer está optimizado durante la instalación del mismo, puedes poner el subwoofer fuera de fase. Para ello, puedes intercambiar los cables positivo y negativo del subwoofer para ponerlos fuera de fase.

El hecho de poner el subwoofer fuera de fase con respecto a los altavoces te permite comprobar si la percepción de los graves es superior desde la ubicación del subwoofer o los altavoces. Si al poner el subwoofer fuera de fase se percibe mejor que los graves proceden de los altavoces, el cableado fuera de fase es correcto para tu sistema.

Puedes poner el subwoofer fuera de fase temporalmente mediante la instalación del mismo en la superficie de montaje con solo tres de los tornillos de montaje. Según el resultado de la prueba, puedes colocar el resto de tornillos o retirar el subwoofer para corregir la polaridad de los cables.

Información adicional

True-MarineProducts

Los productos True-Marine se someten a rigurosas pruebas medioambientales bajo duras condiciones marinas con el fin de cumplir con la normativa del sector para productos náuticos.

Los productos que cuentan con el sello de garantía True-Marine se han diseñado para proporcionar facilidad de uso y combinan tecnologías náuticas avanzadas con el objetivo de ofrecer una experiencia de entretenimiento líder en el sector. Todos los productos True-Marine cuentan con la garantía limitada de 3 años de FUSION para usuarios en cualquier parte del mundo.

Regulador de tensión LED opcional

Puedes utilizar un regulador de tensión LED (accesorio opcional SG-VREGLLED) para controlar el suministro de tensión de la batería a las luces LED. Puedes utilizar el regulador de tensión si notas que el nivel de brillo cambia al poner en marcha el motor, durante el proceso de carga o si se está usando solo la alimentación de la batería. El regulador de tensión puede mantener encendidas las luces LED de hasta diez altavoces o subwoofers de la Signature Series; por ejemplo, cuatro pares de altavoces y dos subwoofers.

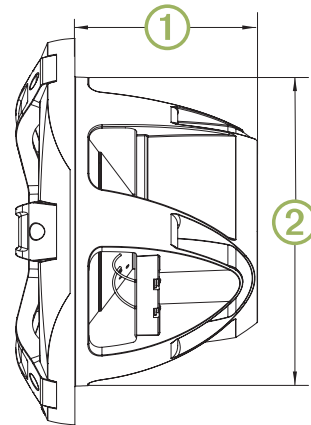
Registro de la unidad Signature Series

Completa hoy mismo el registro en línea y ayúdanos a ofrecerte un mejor servicio.

- Visita www.fusionentertainment.com.
- Guarda la factura original o una fotocopia en un lugar seguro.

Gráficos de dimensiones

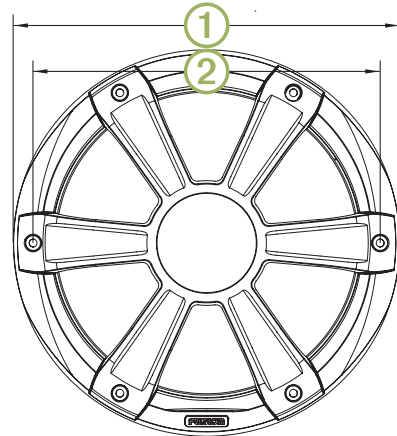
Vista lateral



①	130 mm (5 1/8 in)
②	220 mm (8 21/32 in)

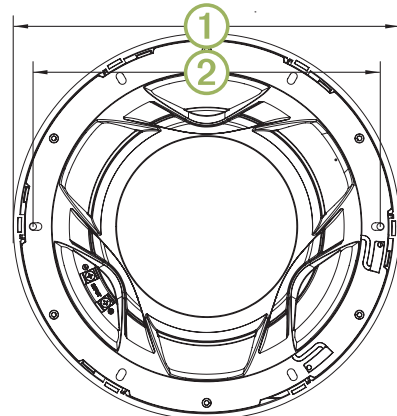
Se muestra un subwoofer del modelo Deportivo, sin embargo, las dimensiones son las mismas que en el modelo Clásico.

Vista frontal del modelo Deportivo



①	275 mm (10 53/64 in)
②	247 mm (9 23/32 in)

Vista posterior del modelo Clásico



①	275 mm (10 53/64 in)
②	247 mm (9 23/32 in)

Limpeza del subwoofer

AVISO

No utilices productos de limpieza agresivos o a base de disolventes en el subwoofer. El uso de estos productos podría dañar el producto y anular la garantía.

Si el subwoofer está montado correctamente, cuenta con un grado de resistencia al agua IP65 frente a las duras condiciones marinas en la parte frontal del mismo. El subwoofer no está diseñado para soportar pulverizaciones con agua a alta presión como las que se llevan a cabo durante la limpieza de la embarcación. En caso de que la embarcación no se limpie correctamente mediante pulverización, se podría dañar el producto, con lo que la garantía quedaría anulada.

- 1 Elimina el agua salada y cualquier resto de sal de la rejilla con un paño humedecido en agua dulce.
- 2 Utiliza un detergente suave para eliminar grandes acumulaciones de sal o manchas.

Solución de problemas

Antes de ponerte en contacto con tu distribuidor o centro de servicio de FUSION, te recomendamos que sigas estos sencillos pasos, que pueden ayudarte a identificar y solucionar el problema.

Si la instalación del subwoofer FUSION la ha realizado una empresa de instalación profesional, debes ponerte en contacto con ella para que los técnicos puedan evaluar el problema y aconsejarte sobre las posibles soluciones.

El subwoofer no emite ningún sonido

- Comprueba que todas las conexiones a los terminales se han realizado correctamente.

El sistema no reproduce los graves

- Asegúrate de que el subwoofer está fijado con firmeza a la superficie de montaje.

El audio se distorsiona

- Comprueba que los paneles que rodean al subwoofer en la embarcación no vibran.
- Comprueba que el amplificador está correctamente conectado a los terminales del subwoofer.
- Si el subwoofer está conectado a un amplificador, comprueba que el nivel de entrada del amplificador se corresponde con el nivel de salida del sistema estéreo.
Para obtener más información, consulta el manual del amplificador.

Las luces LED no se encienden

- Comprueba que las conexiones de todos los cables se han realizado correctamente y no están sueltas.

Las luces LED parpadean con las notas graves de la música

- Instala un regulador de tensión LED FUSION (SG-VREGLED).

Especificaciones

Potencia máxima (vatios)	450 W
Potencia RMS (vatios)	250 W
Eficiencia (1 W/1 m)	88 dB
Respuesta de frecuencia (+ 3 dB)	De 30 Hz a 2 kHz
Diámetro de montaje mínimo (espacio libre)	133 mm (5 15/64 in)
Diámetro de montaje (espacio libre)	223 mm (8 25/32 in)
Impedancia	4 ohmios

Recomendación sobre la potencia del amplificador	De 50 a 300 W RMS (durante la reproducción de música)
Distancia de seguridad del compás*	520 cm (204 23/32 in)
Voltaje de alimentación de las luces LED (solo en el modelo Deportivo)	De 10,8 a 16 V de CC
Corriente de carga de las luces LED a 14,4 V de CC (solo en el modelo Deportivo)	150 mA
Rango de temperatura de funcionamiento	De 0 °C a 50 °C (de 32 °F a 122 °F)
Rango de temperatura de almacenamiento	De -20 °C a 70 °C (de -4 °F a 158 °F)
Clasificación de resistencia al agua y al polvo	IEC 60529 IP65

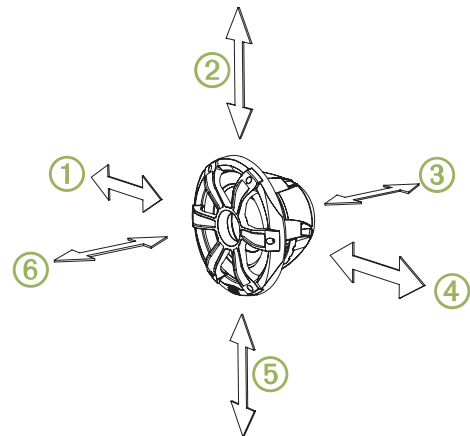
* Esta información se proporciona de acuerdo con la norma IEC 60945. Sigue leyendo a continuación para obtener más información.

Distancia de seguridad del compás respecto al subwoofer

Todos los altavoces y subwoofers contienen imanes que pueden provocar interferencias con los instrumentos de la embarcación. El nivel de interferencia que el subwoofer pueda generar depende del tamaño del imán.

Las interferencias pueden provocar desviaciones y variaciones en la lectura de datos en equipos de navegación sensibles, como compases magnéticos. Si bien estas desviaciones pueden derivar en interpretaciones inexactas o variaciones en la lectura de datos, el equipo no resultará dañado. Para reducirlas, ajusta el compás en función de la desviación siguiendo las instrucciones del fabricante o bien aleja el subwoofer del equipo de navegación. Tras mover una fuente de interferencias, es posible que tengas que volver a calibrar el compás.

Para evitar desviaciones en el equipo de navegación, coloca el subwoofer a la distancia mínima que se indica en la siguiente tabla respecto al equipo de navegación.



Dirección respecto al subwoofer	Subwoofer de 10"
①	302 cm (9 ft 11 in)
②	295 cm (9 ft 9 in)
③	513 cm (16 ft 10 in)
④	277 cm (9 ft 2 in)
⑤	295 cm (9 ft 9 in)
⑥	488 cm (16 ft)

Recomendaciones para una caja óptima

Volumen de la caja sellada*	17,2 l (0,6 ft ³)
Volumen de la caja reflectora de graves**	45 L (1,6 ft ³)

Diámetro de puerto	104 mm (4 in)
Longitud de puerto	265 mm (10 ²⁹ / ₆₄ in)

* Completamente rellena de material absorbente.

** Recubierta con material absorbente.

Signature Series da série esportiva da marca

Informações importantes sobre segurança

⚠️ ATENÇÃO

Caso os avisos e precauções não sejam seguidos, poderão ocorrer lesões corporais, danos ao veículo ou à embarcação ou desempenho inadequado do produto.

Este dispositivo deve ser instalado de acordo com estas instruções.

Antes de instalar o produto, desconecte a fonte de alimentação do veículo ou da embarcação.

⚠️ CUIDADO

A exposição contínua a níveis de pressão sonora superior a 100 dBA pode causar perda permanente da audição. Não ouvir às pessoas falando ao seu redor significa que o volume está muito alto. Limite o tempo de exposição caso deseje ouvir algo com um volume mais alto. Caso escute um zumbido ou som abafado, interrompa o uso e procure um especialista.

Sempre use óculos de segurança, protetores auriculares e uma máscara contra pó ao perfurar, cortar ou lixar.

AVISO

Ao fazer perfurações ou cortes, sempre verifique o que está no lado oposto da superfície.

É altamente recomendável que você tenha o seu sistema de áudio instalado por um profissional para garantir um melhor desempenho.

Leia todas as instruções antes de iniciar a instalação. Se tiver dificuldades durante a instalação, acesse www.fusionentertainment.com para obter suporte do produto.

Depois de instalar a caixa do alto-falante, você deve operar a caixa no volume baixo a médio nas primeiras horas de uso. Isso ajuda a melhorar o som geral, liberando gradualmente os componentes móveis da caixa do alto-falante, como o cone e a armação

Conteúdo da caixa

- 1 caixa de alto-falante
- 6 parafusos de montagem Phillips de aço inoxidável de 4,8 mm x 50 mm (10 x 2 pol.)
- Modelo de montagem
- Grade (apenas modelos clássicos)
- 1 cabo estanhado de conexão para LED (6 m) (apenas para modelos esportivos)
- Chave sextavada (apenas para modelos esportivos)

Ferramentas necessárias

- Furadeira elétrica
- Broca (o tamanho varia de acordo com o material da superfície)
- Chave Phillips
- Alicates para desencapar fios
- Ferramenta de corte
- Fita isolante
- Serra adequada ou estilete utilitário para cortar o material da superfície
- Selante marítimo (opcional)
- Fio de alto-falante com medidor compatível para o comprimento exigido

OBSERVAÇÃO: para instalações personalizadas, podem ser necessárias ferramentas e materiais adicionais.

Considerações sobre montagem

Selecionar o local correto de montagem é fundamental para otimizar o desempenho do sistema de áudio. FUSION as caixas dos alto-falantes são projetadas para serem executadas em um maior número possível de locais de montagem, mas quanto mais planejar a instalação, melhor será o som das caixas dos alto-falantes.

- O sistema áudio deve ser desligado antes da realização de qualquer conexão. Caso contrário, pode resultar em danos permanentes ao sistema de áudio.
- Proteja todos os terminais e conexões contra o aterramento e contra um do outro. Caso contrário, pode haver danos permanentes ao sistema de áudio e a garantia do produto pode ser anulada.
- Proteja os fios contra objetos pontiagudos e sempre utilize ilhós de borracha ao passar a fiação através dos painéis.
- Evite potenciais obstáculos no local de montagem, como combustível, linhas hidráulicas e fiação.
- O local de montagem deve fornecer espaço suficiente para a profundidade da instalação da caixa do alto-falante conforme especificado nos desenhos de vista lateral e nas especificações.
- Quando possível, a área atrás de cada caixa do alto-falante deve ser fechada.
- Para evitar interferência de uma bússola magnética, as caixas dos alto-falantes não devem ser instaladas perto de uma bússola e respeitar o valor de distância de segurança relacionado nas especificações do produto.
- Selecione uma superfície de montagem plana para uma melhor vedação.
- Para um melhor desempenho de graves, cada alto-falante deve ser montado em uma área que oferece espaço suficiente atrás da caixa do alto-falante. Uma área muito pequena restringe os graves, e uma área muito grande compromete o desempenho dos graves. A colocação da caixa do alto-falante próximo a uma área aberta produz menos graves.
- Quando uma caixa do alto-falante não estiver exposta ao ambiente externo, um melhor desempenho de graves pode ser alcançado usando um compartimento que tenha um design com portas. Veja as recomendações ideais de design do compartimento. Estas recomendações especificam apenas o volume, e para a opção com porta, uma porta com comprimento e tamanho ideais também é fornecida.
- Se você pretende instalar a caixa do alto-falante fora da embarcação, siga estas considerações.
 - Quando montado corretamente, a caixa do alto-falante é classificada como IP65 para a proteção a partir da parte frontal no implacável meio marinho. Exposição à água e danos na parte traseira da caixa do alto-falante anulará a garantia.
 - A caixa do alto-falante deve ser montada em um local bem acima da linha de flutuação, onde ele não está submersa.
 - As caixas dos alto-falantes devem ser montadas em um local onde não serão danificadas por docas, estacas ou outras peças de equipamento.
 - A caixa do alto-falante deve ser montada em uma estrutura vedada, especialmente se for exposta à água. Uma porta ou ventilação pode permitir que a água se acumule no compartimento e danifique a caixa do alto-falante.

Montagem da caixa do alto-falante

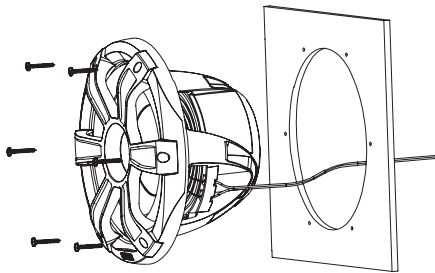
Antes de montar as caixas dos alto-falantes, escolha um local onde haja espaço suficiente na parte traseira da superfície de

montagem. Consulte o desenho da vista lateral e as especificações para informações sobre espaço.

Antes de instalar as caixas dos alto-falantes, escolha o local conforme as considerações acima.

Se você estiver substituindo FUSION uma caixa do alto-falante MS-SW10 de 10" pela caixa do modelo de 10" da Signature Series, consulte *Substituição de uma caixa do alto-falante FUSION MS-SW10 de 10"*.

- 1 Passe os fios da fonte para o local de montagem, longe de fontes de interferência elétrica.
- 2 Ajuste o modelo e certifique-se de estar de acordo com o local selecionado.
- 3 Posicione o modelo com o logotipo FUSION na parte inferior do modelo.
- 4 Prenda o modelo ao local selecionado.
- 5 Com uma broca adequada para a superfície escolhida, faça um furo dentro da linha pontilhada no modelo para preparar a superfície de montagem para o corte.
- 6 Com uma serra ou ferramenta giratória, corte a superfície de montagem ao longo da parte interna da linha indicada no modelo.
- 7 Coloque a caixa do alto-falante no corte para testar o ajuste.
- 8 Se necessário, use uma lixa para refinar o tamanho do corte.
- 9 Quando o alto-falante couber corretamente na abertura, certifique-se de que os orifícios de montagem da caixa do alto-falante estejam alinhados com os orifícios do piloto no modelo.
- 10 Se os furos de montagem não se alinharem, marque os locais dos novos furos.
- 11 Com uma broca de tamanho apropriado para a superfície de montagem e tipo de parafuso, faça os furos.
- 12 Remova o modelo da superfície de montagem.
- 13 Conecte os fios da caixa do alto-falante enquanto observa a polaridade.
Para obter mais informações sobre polaridade dos fios, consulte *Otimização do som da caixa do alto-falante*.
- 14 Se necessário, conecte a fiação do LED à caixa do alto-falante do modelo esportivo (consulte *Fiação do LED do modelo esportivo*).
- 15 Coloque a caixa do alto-falante no corte.



- 16 Fixe a caixa do alto-falante na superfície de montagem usando os parafusos incluídos.

OBSERVAÇÃO: não aperte os parafusos, especialmente se a superfície de montagem não for plana.

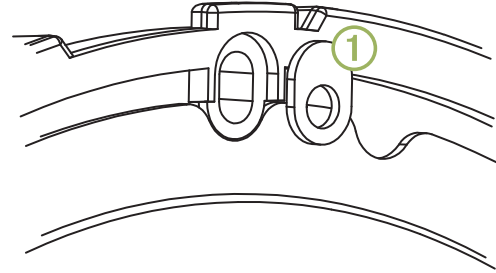
Para a caixa do alto-falante do modelo clássico, você deverá conectar a grade na frente (consulte *Fixação da grade na caixa do alto-falante do modelo clássico*).

Substituir uma caixa do alto-falante do FUSION MS-SW10 de 10"

Você pode substituir uma caixa do alto-falante FUSION MS-SW10 de 10" pela caixa do modelo de 10" da Signature Series da marca. Não é necessário cortar ou perfurar novos orifícios.

- 1 Remova o MS-SW10 da superfície de montagem.

- 2 Remova cada arruela alongada da parte frontal da caixa do alto-falante da Signature Series da marca.
- 3 Gire cada arruela ① para que o orifício esteja virado para o centro da caixa do alto-falante.
- 4 Depois de girar a arruela, coloque-o de volta no alto-falante.



- 5 Continue montando a caixa do alto-falante começando na etapa 13 em *Montagem da caixa do alto-falante*.

Fiação do modelo LED esportivo

Conexão dos fios de LED nas caixas dos alto-falantes do modelo esportivo

OBSERVAÇÃO: este recurso está disponível apenas para as caixas dos alto-falantes do modelo esportivo.

É possível controlar a cor dos LEDs pela polaridade dos fios de LED.

- 1 Com a chave sextavada, solte os parafusos dos terminais da fiação na parte traseira da caixa do alto-falante.
- 2 Conecte os fios preto e vermelho no terminal de acordo com a cor de LED preferida.

LED azul	Preto no negativo (-) Vermelho no positivo (+)
LED branco	Preto no positivo (+) Vermelho no negativo (-)

- 3 Com a chave sextavada, aperte os parafusos dos terminais da fiação.

Conexão dos fios de LED das caixas dos alto-falantes do modelo esportivo na alimentação

OBSERVAÇÃO: este recurso está disponível apenas para as caixas dos alto-falantes do modelo esportivo.

Toda a fiação 12 Vdc dos LEDs deve estar conectada por fusíveis na extremidade da fonte de alimentação do seu cabo usando um fusível 3 A. O cabo de alimentação vermelho (+) deve ser conectado a uma fonte de 12 Vdc através de um interruptor isolador ou um disjuntor para ligar e desligar os LEDs. Você pode usar o mesmo isolador ou disjuntor que controla o fornecimento de energia do seu aparelho de som, o que lhe permite ligar e desligar os LEDs e o aparelho de som ao mesmo tempo.

Se for necessário estender os fios vermelhos e pretos, use um fio 0,5 mm² (20 AWG) ou um fio mais grosso.

- 1 Passe o cabo de alimentação vermelho (+) e o de aterramento preto (-) para a bateria e a caixa do alto-falante.
- 2 Conecte o fio preto ao terminal negativo (-) da bateria.
- 3 Conecte o fio vermelho ao terminal positivo (+) da bateria através de um fusível 3 A e um interruptor isolador ou disjuntor.

Fixação da grade na caixa do alto-falante do modelo clássico

OBSERVAÇÃO: este recurso está disponível apenas para as caixas de alto-falantes do modelo clássico.

- 1 Com as caixas de alto-falantes montadas, segure a grade com o logotipo FUSION na parte inferior, ou na posição 6 horas.

- 2 Gire a grade cerca de 10° no sentido anti-horário, de modo que o logotipo FUSION esteja na posição 5 horas.
- 3 Coloque a grade na borda da caixa do alto-falante.
- 4 Gire a grade no sentido horário para fixá-la.

Otimização do som da caixa do alto-falante

Durante a instalação da caixa do alto-falante, você pode garantir sua otimização de som ao executar a caixa do alto-falante fora de fase. Você pode alternar os fios positivos e negativos na caixa do alto-falante para executá-los fora de fase.

Executar a caixa do alto-falante fora de fase das caixas acústicas permite a você identificar se a percepção dos graves vem mais da localização da caixa do alto-falante ou das caixas acústicas. Se executar a caixa do alto-falante fora de fase der uma melhor percepção de que os graves vêm da localização das caixas acústicas, a fiação fora de fase está correta para o seu sistema.

Você pode executar a caixa do alto-falante fora de fase instalando-a temporariamente na superfície de montagem usando apenas três dos parafusos. Dependendo do resultado do teste, os parafusos restantes podem ser presos ou a caixa do alto-falante pode ser removida para corrigir a polaridade dos fios.

Informações adicionais

True-MarineProdutos

Os produtos True-Marine são submetidos a testes ambientais rigorosos em condições marítimas adversas para superar as diretrizes do setor de produtos marinhos.

Qualquer produto que contém o selo de garantia True-Marine foi projetado para uma utilização simplificada e combina tecnologias marinhas avançadas para proporcionar uma experiência de entretenimento líder no setor. Todos os produtos True-Marine são suportados pela garantia limitada de 3 anos da FUSION para clientes do mundo inteiro.

Regulador de tensão para LED opcional

É possível utilizar um regulador de tensão para LED (acessório SG-VREGLED opcional) para regular a tensão da alimentação da bateria para as luzes de LED. É possível utilizar o regulador de tensão, caso observe uma alteração nos níveis de brilho ao ligar o motor, carregar ou usar apenas a energia da bateria. O regulador de tensão pode acionar os LEDs de até dez alto-falantes da Signature Series ou subwoofers; por exemplo, quatro pares de alto-falantes e dois subwoofers.

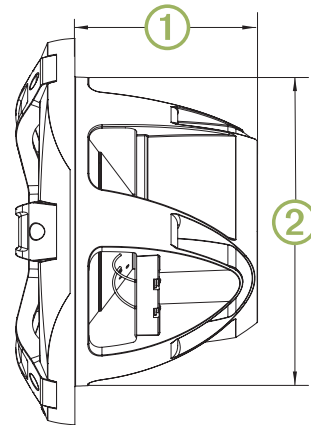
Registro de seu Signature Series

Ajude-nos a atendê-lo melhor completando ainda hoje nosso registro online.

- Acesse www.fusionentertainment.com .
- Mantenha o recibo de venda original ou uma cópia em um local seguro.

Desenhos dimensionais

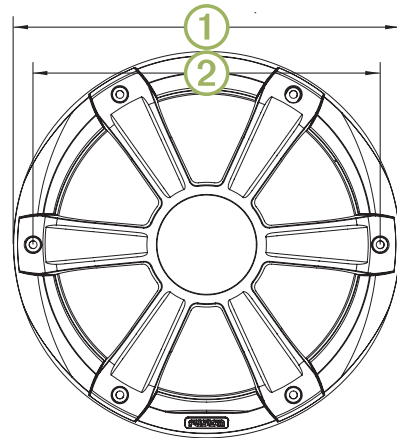
Visão lateral



①	130 mm (5 1/8 pol.)
②	220 mm (8 21/32 pol.)

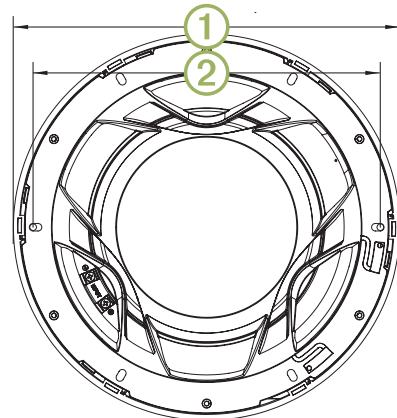
Uma caixa do alto-falante do modelo esportivo é exibida, mas as dimensões são as mesmas para a caixa do alto-falante do modelo clássico.

Visão frontal do modelo esportivo



①	275 mm (10 53/64 pol.)
②	247 mm (9 23/32 pol.)

Visão traseira do modelo clássico



①	275 mm (10 53/64 pol.)
②	247 mm (9 23/32 pol.)

Limpeza da caixa do alto-falante

AVISO

Não use produtos de limpeza abrasivos ou à base de solventes nas caixas dos alto-falantes. A utilização desses produtos podem danificar o produto e anular a garantia.

Quando montadas corretamente, essas caixas dos alto-falantes são classificadas como IP65 a partir da parte frontal para a proteção no implacável ambiente marinho. As caixas dos alto-falantes não são projetadas para suportar jatos de água de alta pressão, que podem ocorrer ao lavar a sua embarcação. A falta de cuidado ao lavar a embarcação com jato de água pode danificar o produto e anular a garantia.

- 1 Limpe toda a água salgada e os resíduos da grade com um pano úmido.
- 2 Utilize um detergente suave para remover um acúmulo pesado de sal ou manchas.

Solução de problemas

Antes de entrar em contato com o seu revendedor ou centro de serviços da FUSION, execute alguns passos de solução de problemas simples para ajudar a diagnosticar o problema.

Se a caixa do alto-falante FUSION tiver sido instalada por uma empresa de instalação profissional, entre em contato com a empresa para que os técnicos possam avaliar o problema e aconselhá-lo sobre as possíveis soluções.

Não há nenhum som saindo das caixas dos alto-falantes

- Verifique se todas as conexões estão ligadas corretamente aos locais adequados.

O sistema não tem graves

- Verifique se as caixas dos alto-falantes estão presas firmemente à superfície de montagem.

O áudio está distorcido

- Verifique se os painéis ao redor da caixa do alto-falante da embarcação não estão chacoalhando.
- Verifique se o amplificador está ligado corretamente aos terminais da caixa do alto-falante.
- Se a caixa do alto-falante estiver conectada a um amplificador, verifique se o nível de entrada do amplificador corresponde ao nível de saída do som.

Para obter mais informações, consulte o manual do amplificador.

As luzes do LED não ascendem

- Verifique se todas as fiações estão corretas e presas.

Os LEDs pulsam com as notas graves da música

- Instale um regulador de tensão para LED FUSION (SG-VREGLED).

Especificações

Potência máxima (Watts)	450 W
RMS (Watts) de potência	250 W
Eficiência (1 W/1 m)	88 dB
Resposta de frequência (+ 3 dB)	De 30 Hz a 2 kHz
Profundidade mínima para montagem (folga)	133 mm (5 ¹⁵ / ₆₄ pol.)
Diâmetro para montagem (folga)	223 mm (8 ²⁵ / ₃₂ pol.)
Impedância	4 ohms
Recomendações para a classificação da tensão do amplificador	50 a 300 W RMS, reproduzindo música
Distância segura da bússola*	520 cm (204 ²³ / ₃₂ pol.)

Tensão de alimentação do LED (apenas para o modelo esportivo)	De 10,8 a 16 VCC
Carga do LED atualmente em 14,4 Vdc (apenas para o modelo esportivo)	150 mA
Intervalo de temperatura de funcionamento	De 0 a 50 °C (de 32 a 122 °F)
Intervalo de temperatura de armazenamento	De -20 a 70 °C (de -4 a 158 °F)
Classificação de água e poeira	IEC 60529 IP65

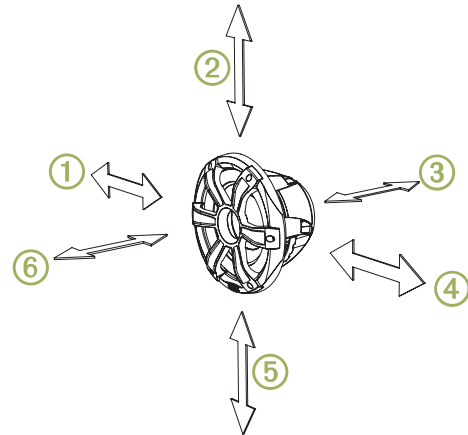
* Esta informação é fornecida de acordo com o padrão IEC 60945. Para mais informações, consulte abaixo.

Distância segura entre a caixa do alto falante e a bússola

Todas as caixas acústicas e alto-falantes contêm ímãs que podem causar interferência nos instrumentos na sua embarcação. O tamanho do ímã usado na caixa do alto-falante afeta o nível de interferência que ele pode causar.

A interferência pode causar desvios e variações em relação à leitura de equipamento de navegação sensível, tal como bússolas magnéticas. Os desvios podem causar imprecisões ou deslocamento nas leituras, sem causar danos ao equipamento. Para diminuir os desvios, ajuste a bússola seguindo as instruções do fabricante ou distancie ao máximo possível a caixa do alto-falante do equipamento de navegação. Após distanciar a fonte da interferência, pode ser necessário recalibrar a bússola.

Para evitar desvios do equipamento de navegação, posicione as caixas dos alto-falantes para que estejam separadas a uma distância mínima do equipamento de navegação de acordo com a tabela abaixo.



Direção da caixa do alto falante	Caixa do alto-falante de 10"
①	302 cm (9 pés 11 pol.)
②	295 cm (9 pés 9 pol.)
③	513 cm (16 pés 10 pol.)
④	277 cm (9 pés 2 pol.)
⑤	295 cm (9 pés 9 pol.)
⑥	488 cm (16 pés)

Recomendações de compartimentos ideais

Volume do compartimento vedado*	17,2 L (0,6 pés ³)
Volume do compartimento com porta (ventilado)**	45 L (1,6 pés ³)
Diâmetro da porta	104 mm (4 pol.)
Extensão da porta	265 mm (10 ²⁹ / ₆₄ pol.)

* Totalmente preenchido com material de absorção.

** Forrado com material de absorção.

Signature Series subwooferinstallatie-instructies

Belangrijke veiligheidsinformatie

⚠ WAARSCHUWING

Geen gevolg geven aan deze waarschuwingen en aanbevelingen kan resulteren in persoonlijk letsel, schade aan het voertuig of vaartuig of slecht functioneren van het product.

Dit toestel moet worden geïnstalleerd volgens deze instructies.

Ontkoppel de stroomvoorziening van het voertuig of vaartuig, voordat u dit product gaat installeren.

⚠ VOORZICHTIG

Continue blootstelling aan geluidsdruk niveaus van meer dan 100 dBA kan permanente gehoorbeschadiging veroorzaken. Het volume is doorgaans te hoog als u de mensen om u heen niet hoort praten. Beperk de tijd dat u luistert met een hoog volume tot een minimum. Als uw oren suizen of als u spraak alleen gedempt hoort, gebruik het toestel dan niet meer en laat uw gehoor controleren.

Draag altijd een veiligheidsbril, oorbeschermers en een stofmasker tijdens het boren, zagen en schuren.

LET OP

Controleer voordat u gaat boren of zagen wat zich aan de andere kant van het oppervlak bevindt.

Voor optimale prestaties wordt aanbevolen om uw audiosysteem te laten installeren door een professionele installateur.

Lees alle installatie-instructies alvorens de installatie uit te voeren. Als u problemen ondervindt tijdens het installeren, kunt u voor ondersteuning terecht op www.fusionentertainment.com.

Na installatie dient u de subwoofer de eerste paar uur bij laag tot gemiddeld volume te gebruiken. De bewegende onderdelen van de subwoofer, zoals conus, spider en surround, kunnen dan geleidelijk warm draaien, wat de algehele geluidskwaliteit ten goede komt.

Inhoud van de verpakking

- 1 subwoofer
- 6 roestvrijstalen kruiskopmontageschroeven van 4,8 mm x 50 mm (10 gauge x 2 in.)
- Montagesjabloon
- Grille (alleen Klassieke modellen)
- 1 vertinde LED aansluitkabel (6 m) (alleen Sportmodellen)
- Inbus sleutel (alleen Sportmodellen)

Benodigd gereedschap

- Elektrische boor
- Boortje (maat afhankelijk van materiaal van ondergrond)
- Kruiskopschroevendraaier
- Draadstriptang
- Krimptang
- Isolatietape
- Geschikte zaag of een hobbymes om oppervlaktemateriaal af te zagen of te snijden
- Watervaste kit (optioneel)
- Luidsprekerdraad met de juiste diameter bij de vereiste lengte

OPMERKING: Voor aangepaste installaties zijn mogelijk extra gereedschappen en materialen benodigd.

Aandachtspunten bij de montage

De juiste montageplek kiezen is van essentieel belang voor optimale prestaties van het audiosysteem. De FUSION subwoofer is ontworpen om op alle mogelijke montageplaatsen goed te presteren, maar hoe beter u de installatie plant, hoe beter de geluidskwaliteit van de subwoofer.

- Schakel het audiosysteem uit voordat u kabels aansluit. Als dit niet gebeurt, kan dit permanente beschadiging van het audiosysteem tot gevolg hebben.
- Zorg dat alle aansluitpunten en aansluitingen niet in contact kunnen komen met de aarding of andere aansluitingen. Door dergelijke kortsluitingen kan het audiosysteem permanent worden beschadigd en kan de productgarantie komen te vervallen.
- Bescherm de kabels tegen scherpe voorwerpen en gebruik altijd rubber ringen voor het geleiden van kabels door panelen.
- Zorg dat de montageplaats vrij is van mogelijke obstakels, zoals brandstofleidingen en hydraulische leidingen en bekabeling.
- De montageplaats moet voldoende vrije ruimte bieden voor de montagediepte van de subwoofer, zoals aangegeven in de tekeningen van het zijaanzicht en de productspecificaties.
- De ruimte achter elke subwoofer moet zo mogelijk een gesloten ruimte zijn.
- Teneinde interferentie met een magnetisch kompas te voorkomen, mag de subwoofer niet dicht bij een kompas worden geïnstalleerd dan de kompasveilige afstand die is vermeld in de productspecificaties.
- Kies voor optimale afdichting een vlak montageoppervlak.
- Om de bastonen te optimaliseren moet de subwoofer op een plaats worden geïnstalleerd die achter de subwoofer precies voldoende ruimte biedt. Een te kleine ruimte beperkt de bastonen en een te grote ruimte tast de kwaliteit van de bastonen aan. Als de subwoofer dichtbij een open ruimte is geplaatst, zijn de bastonen minimaal.
- Een afgesloten behuizing onderdrukt de bastonen van de subwoofer. In een behuizing die is voorzien van poorten of ventilatiegaten levert de subwoofer qua bastonen betere prestaties. Lees de aanbevelingen voor een optimaal ontworpen behuizing. In deze aanbevelingen wordt alleen volume gespecificeerd en worden voor de optionele behuizing met poorten de grootte en lengte van de poorten gespecificeerd.
- Als u de subwoofer buiten de boot wilt installeren, dient u het volgende in aanmerking te nemen.
 - Indien correct geïnstalleerd, biedt de subwoofer vanaf de voorkant IP65-klasse bescherming voor de zware omstandigheden op het water. Als de achterkant van de subwoofer wordt blootgesteld aan water of beschadigd raakt, vervalt de garantie.
 - De subwoofer moet worden gemonteerd op een locatie hoog boven de waterlijn, zodat de subwoofer niet onder water raakt.
 - De subwoofer moet op een plaats worden geïnstalleerd waar het toestel niet kan worden beschadigd door dokken, palen en andere apparatuur.
 - De subwoofer moet in een afgesloten behuizing worden geplaatst die bescherming biedt tegen eventueel spoelwater. Door een poort of ventilatiegat kan water in de behuizing binnendringen en de subwoofer beschadigen.

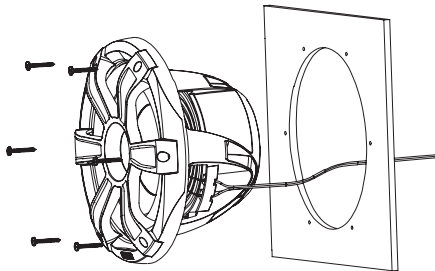
De subwoofer installeren

Kies alvorens de subwoofer te installeren een montageplaats die achter het montageoppervlak voldoende ruimte biedt. Raadpleeg de tekeningen van het zijaanzicht en de specificaties voor meer informatie over de vrije ruimte.

Kies aan de hand van de volgende richtlijnen eerst een geschikte locatie voordat u de subwoofer installeert.

Raadpleeg voor het vervangen van een FUSION MS-SW10 10" subwoofer door de Signature Series Klassiek Model 10" subwoofer *Replacing a FUSION MS-SW10 10" Subwoofer*.

- 1 Leid de draden van de bron naar de montageplaats, uit de buurt van bronnen die elektronische interferentie kunnen veroorzaken.
- 2 Snijd de montagesjabloon uit en controleer of deze past op de gekozen locatie.
- 3 Plaats de sjabloon met het FUSION logo aan de onderkant.
- 4 Bevestig de sjabloon op de gekozen locatie.
- 5 Boor met een voor de montageondergrond geschikt boortje een gat aan de binnenkant van de streepjeslijn op de sjabloon om het montageoppervlak voor te bereiden voor zagen.
- 6 Zaag met een decoupeerzaag of slijptol het montageoppervlak uit langs de binnenkant van de streepjeslijn op de sjabloon.
- 7 Plaats de subwoofer in de opening om te testen of dit past.
- 8 Gebruik indien nodig een vijl en schuurpapier om de opening heel precies op maat te krijgen.
- 9 Als de subwoofer goed in de opening past, dient u te controleren of de montagegaten op de subwoofer zijn uitgelijnd met de voorboorgaten op de sjabloon.
- 10 Markeer de locaties van de nieuwe gaten als deze niet zijn uitgelijnd met de montagegaten.
- 11 Kies een maat boortje dat geschikt is voor het montageoppervlak en type schroef en boor de gaten.
- 12 Verwijder de sjabloon van het montageoppervlak.
- 13 Sluit de subwooferkabels aan volgens de juiste polariteit. Raadpleeg voor meer informatie over de polariteit van kabels *Subwoofer Sound Optimization*.
- 14 Sluit zo nodig de LED-draden aan op de Sportmodel subwoofer (zie *Sports Model LED Wiring*).
- 15 Plaats de subwoofer in de opening.



- 16 Bevestig de subwoofer op het montageoppervlak met de meegeleverde schroeven.

OPMERKING: Draai de schroeven niet te strak aan, vooral niet als het montageoppervlak niet vlak is.

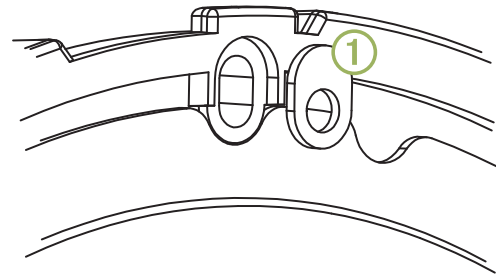
Bevestig bij de Klassiek Model subwoofer de grille aan de voorkant (zie *Attaching the grille to the Classic Model Subwoofer*).

Een FUSION MS-SW10 10 inch subwoofer vervangen

U kunt een FUSION MS-SW10 10 inch subwoofer vervangen door de Signature Series Klassiek Model 10 inch subwoofer. U hoeft geen nieuwe gaten te zagen of te boren.

- 1 Verwijder de MS-SW10 van het montageoppervlak.
- 2 Verwijder de rechthoekige ringen één voor één van de voorkant van de Signature Series subwoofer.
- 3 Draai elke ring ① zodat het gat is gericht naar het midden van de subwoofer.

- 4 Nadat u de ring hebt gedraaid, plaatst u deze terug in de subwoofer.



- 5 Ga vanaf stap 13 in *De subwoofer installeren* verder met het installeren van de subwoofer.

LED-bedrading Sportmodel

De LED-draden aansluiten op de Sportmodel subwoofer

OPMERKING: Deze functie is alleen beschikbaar op de Sportmodel subwoofer.

U kunt de kleur van de LED-lampjes regelen via de polariteit van de LED-draden.

- 1 Draai de schroeven op de aansluitpunten aan de achterkant van de subwoofer los met de inbussleutel.
- 2 Sluit de zwarte en rode draden aan op het aansluitpunt overeenkomstig de gewenste LED-kleur.

Blauw LED	Zwart naar negatieve (-) pool Rood naar positieve (+) pool
Wit LED	Zwart naar positieve (+) pool Rood naar negatieve (-) pool

- 3 Draai de schroeven op de aansluitpunten vast met de inbussleutel.

De LED-draden van de Sportmodel subwoofer aansluiten op de voeding

OPMERKING: Deze functie is alleen beschikbaar op de Sportmodel subwoofer.

Alle 12 V gelijkstroomkabels naar de LED's dienen aan de kant van de voeding te zijn voorzien van een zekering van 3 Ampère. De rode (+) voedingsdraad moet worden aangesloten op een 12 V gelijkstroom voedingsbron via een isolatieschakelaar of stroomverbreker om de LED's van de subwoofer in en uit te schakelen. U kunt dezelfde isolatieschakelaar of stroomverbreker gebruiken die de voeding naar uw stereo regelt, zodat u de LED's en de stereo tegelijk in en uit kunt schakelen.

Als het nodig is om de rode en zwarte draden te verlengen, dient u verlengdraden met een dikte van minimaal 0,5 mm² (20 AWG) te gebruiken.

- 1 Leid de rode (+) voedingsdraad en de zwarte (-) aarddraad naar de accu en de subwoofer.
- 2 Sluit de zwarte draad aan op de negatieve pool (-) van de accu.
- 3 Sluit de rode draad aan op de positieve pool (+) van de accu via een zekering van 3 Ampère en een isolatieschakelaar of stroomverbreker.

De grille bevestigen op de Klassiek Model subwoofer

OPMERKING: Deze functie is alleen beschikbaar op de Klassiek Model subwoofer.

- 1 Pak als de subwoofer is gemonteerd de grille vast met het FUSION logo aan de onderkant of in de 6 uur stand.
- 2 Draai de grille ongeveer 10° linksom, zodat het FUSION logo zich in de 5 uur stand bevindt.
- 3 Plaats de grille op de rand van de subwoofer.
- 4 Draai de grille rechtersom vast.

Optimalisatie van subwoofergeluid

U kunt het geluid van de subwoofer tijdens de installatie optimaliseren door de subwoofer 'uit fase' te testen. U kunt dit doen door de positieve en negatieve draden van de subwoofer te verwisselen.

Als u de subwoofer 'uit fase' test, kunt u vaststellen of de bastonen meer uit de richting van de subwoofer of uit de richting van de luidsprekers lijken te komen. Als bij het 'uit fase' testen van de subwoofer de bastonen uit de richting van de luidsprekers lijken te komen, is deze manier van 'uit fase' aansluiten correct voor uw systeem.

Als u de subwoofer op deze manier wilt testen, kunt u het systeem tijdelijk bevestigen op het oppervlak met een van de drie montageschroeven. Afhankelijk van het resultaat kunt u de overige schroeven aanbrengen of de subwoofer verwijderen en deze volgens de normale polariteit aansluiten.

Aanvullende informatie

True-Marine producten

True-Marine producten worden onder zware omstandigheden op het water uitvoerig getest op milieuvriendelijkheid om de milieuriichtlijnen voor watersportproducten te overtreffen.

Elk product dat het True-Marine kwaliteitskeurmerk draagt is gebaseerd op geavanceerde nautische technologieën en ontworpen om gebruikers optimaal gebruiksgemak en een in de industrie onovertroffen gebruikservaring te bieden. Op alle True-Marine producten is de beperkte, wereldwijde FUSION garantie van 3 jaar voor consumenten van toepassing.

Optionele LED-spanningsregelaar

U kunt een LED-spanningsregelaar (optioneel accessoire SG-VREGLED) gebruiken om de accuspanning op de LED-verlichting te regelen. U kunt de spanningsregelaar gebruiken als u merkt dat de helderheidsniveaus afnemen, wanneer de motor draait, de accu wordt opgeladen of wanneer u alleen accustroom gebruikt. De spanningsregelaar kan de stroomtoevoer regelen naar de LED's op maximaal tien luidsprekers of subwoofers uit de Signature Series; bijvoorbeeld vier paar luidsprekers en twee subwoofers.

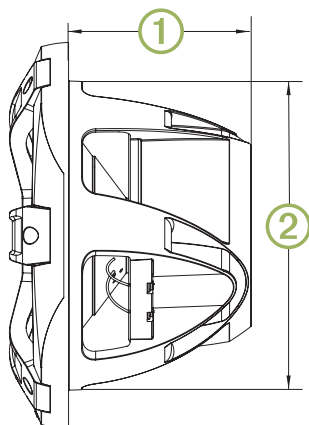
Uw Signature Series registreren

Vul de onlineregistratie vandaag nog in zodat wij u beter kunnen helpen.

- Ga naar www.fusionentertainment.com.
- Bewaar uw originele aankoopbewijs of een fotokopie op een veilige plek.

Afmetingstekeningen

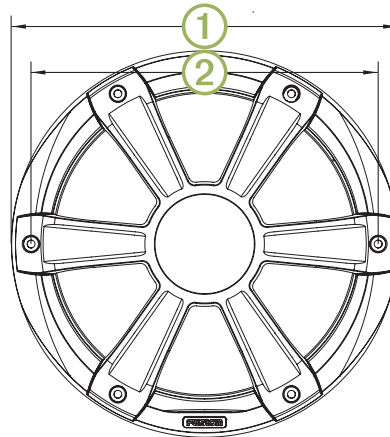
Zijaanzicht



①	130 mm (5 1/8 in.)
②	220 mm (8 21/32 in.)

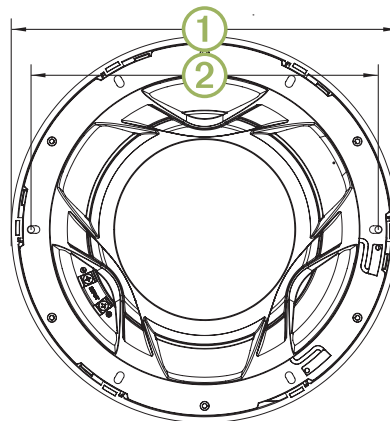
Een Sportmodel subwoofer is afgebeeld, maar voor het Klassieke Model gelden dezelfde afmetingen.

Vooraanzicht Sportmodel luidspreker



①	275 mm (10 53/64 in.)
②	247 mm (9 23/32 in.)

Achteraanzicht Klassiek Model



①	275 mm (10 53/64 in.)
②	247 mm (9 23/32 in.)

De subwoofer reinigen

LET OP

Gebruik op de subwoofer geen harde reinigings- of oplosmiddelen. Door gebruik van dergelijke reinigingsmiddelen kan het product beschadigd worden en kan de garantie vervallen.

Indien correct geïnstalleerd, biedt deze subwoofer vanaf de voorkant IP65-klasse bescherming voor de zware omstandigheden op het water. De subwoofer is niet bestand tegen reinigen met een hogedrukspuit, bijvoorbeeld wanneer u uw schip schoon spuit. Schoonspuiten van het schip moet voorzichtig gebeuren om te voorkomen dat het product beschadigd wordt en de garantie vervalt.

- 1 Verwijder al het zoute water en alle zoutaanslag van de grill met een in schoon water gedrenkte, vochtige doek.
- 2 Gebruik een zacht schoonmaakmiddel om zware aanslag van zout of vlekken te verwijderen.

Problemen oplossen

Probeer als zich een probleem voordoet eerst de oorzaak vast te stellen aan de hand van een paar eenvoudige stappen, voordat u contact opneemt met uw FUSION dealer of servicekantoor.

Als de FUSION subwoofer door een professioneel installatiebedrijf is geïnstalleerd, dient u contact op te nemen met dat bedrijf, zodat de onderhoudstechnici kunnen bepalen wat de aard van het probleem is en u kunnen adviseren over mogelijke oplossingen.

Er komt geen geluid uit de subwoofer

- Controleer of alle kabels goed zijn aangesloten op de juiste aansluitpunten.

Het systeem geeft geen lage tonen weer

- Controleer of de subwoofer stevig is bevestigd op het montageoppervlak.

De geluidswaergeving is vervormd

- Controleer of de panelen rondom de subwoofer op de boot niet rammelen.
- Controleer of de versterker goed is aangesloten op de aansluitingspunten van de subwoofer.
- Controleer, als de subwoofer is aangesloten op een versterker, of het ingangsniveau van de versterker overeenkomt met het uitgangsniveau van de stereo.

Raadpleeg de gebruikershandleiding bij de versterker voor meer informatie.

De LED-lampjes branden niet

- Controleer of alle kabels correct zijn aangesloten en stevig zijn bevestigd.

De LED-lampjes knipperen op lage tonen in de muziek

- Installeer een FUSION LED-spanningsregelaar (SG-VREGLED).

Specificaties

Max. vermogen (Watt)	450 W
RMS vermogen (Watt)	250 W
Efficiëntie (1 W/1 m)	88 dB
Frequentiewaergeving (+ 3 dB)	Van 30 Hz tot 2 kHz
Min. montage diepte (vrije ruimte)	133 mm (5 15/64 in.)
Montagediameter (vrije ruimte)	223 mm (8 25/32 in.)
Impedantie	4 ohm
Aanbevolen vermogen versterker	50 tot 300 W RMS bij muziek afspelen
Kompasveilige afstand*	520 cm (204 23/32 in.)
LED-voedingsspanning (alleen Sportmodel)	Van 10,8 tot 16 V gelijkstroom
LED-belastingsstroom bij 14,4 V gelijkstroom (alleen Sportmodel)	150 mA
Bedrijfstemperatuurbereik	Van 0 tot 50°C (van 32 tot 122°F)
Bereik opslagtemperatuur	Van -20 tot 70°C (van -4 tot 158°F)
Water- en stofbestendigheid	IEC 60529 IP65

* Deze informatie is overeenkomstig IEC-standaard 60945. Zie hieronder voor meer informatie.

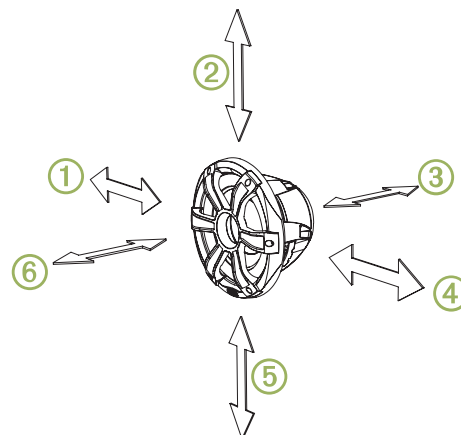
Kompasveilige afstand subwoofer

Alle luidsprekers en subwoofers bevatten magneten die waarschijnlijk interferentie veroorzaken met instrumenten op uw boot. De grootte van de magneet die wordt gebruikt in de subwoofer is van invloed op de hoeveelheid interferentie die de subwoofer kan veroorzaken.

Interferentie kan leiden tot afwijkingen en variaties in de metingen van gevoelige navigatieapparatuur, zoals magnetische kompassen. Deze afwijkingen kunnen onnauwkeurigheden of correcties in de metingen veroorzaken, maar zijn niet schadelijk voor de apparatuur. Als u de afwijkingen wilt verminderen, past u het kompas voor de afwijking aan met behulp van de instructies van de fabrikant of plaatst u de subwoofer uit de

buurt van de navigatieapparatuur. Nadat u een bron van interferentie hebt verplaatst, moet u het kompas mogelijk opnieuw kalibreren.

Om afwijkingen in de navigatieapparatuur te voorkomen, moet u bij het positioneren van de subwoofer ten opzichte van de navigatieapparatuur ten minste de afstand in de tabel hieronder aanhouden.



Richting vanaf subwoofer	10 inch subwoofer
①	302 cm (9 ft. 11 inch)
②	295 cm (9 ft. 9 inch)
③	513 cm (16 ft. 10 inch)
④	277 cm (9 ft. 2 inch)
⑤	295 cm (9 ft. 9 inch)
⑥	488 cm (16 ft.)

Aanbevelingen optimale behuizing

Volume afgesloten behuizing*	17,2 l (0,6 ft. ³)
Volume behuizing met (ventilatie-)poorten of openingen**	45 l (1,6 ft. ³)
Poortdiameter	104 mm (4 in.)
Poortlengte	265 mm (10 29/64 in.)

* Volledig gevuld met absorberend materiaal.

** Gevoerd met absorberend materiaal.

