



samlexpower®

**Remote
Control for
Inverter**

RC-200

**Owner's
Manual**

Please read this
manual **BEFORE**
operating your
RC-200 Remote
Control

OWNER'S MANUAL | Index

SECTION 1

Safety	3
--------------	---

SECTION 2

Description	3
-------------------	---

SECTION 3

Layout of Controls, Indications & Dimensional Drawings	3
---	---

SECTION 4

Installation	6
--------------------	---

SECTION 5

Operation	6
-----------------	---

SECTION 6

Specifications	6
----------------------	---

SECTION 7

Warranty	7
----------------	---

Disclaimer of Liability

UNLESS SPECIFICALLY AGREED TO IN WRITING, SAMLEX AMERICA, INC.:

1. MAKES NO WARRANTY AS TO THE ACCURACY, SUFFICIENCY OR SUITABILITY OF ANY TECHNICAL OR OTHER INFORMATION PROVIDED IN ITS MANUALS OR OTHER DOCUMENTATION.
2. ASSUMES NO RESPONSIBILITY OR LIABILITY FOR LOSSES, DAMAGES, COSTS OR EXPENSES, WHETHER SPECIAL, DIRECT, INDIRECT, CONSEQUENTIAL OR INCIDENTAL, WHICH MIGHT ARISE OUT OF THE USE OF SUCH INFORMATION. THE USE OF ANY SUCH INFORMATION WILL BE ENTIRELY AT THE USERS RISK.

Samlex America reserves the right to revise this document and to periodically make changes to the content hereof without obligation or organization of such revisions or changes.

Copyright Notice/Notice of Copyright

Copyright © 2016 by Samlex America, Inc. All rights reserved. Permission to copy, distribute and/or modify this document is prohibited without express written permission by Samlex America, Inc.

SECTION 1: SAFETY

Before using this Remote Control, please follow the Safety Instructions given in the Owner's Manual for the inverter.

SECTION 2 | DESCRIPTION

RC-200 is a wired Remote Control that is compatible with the following series of Inverters: PST-1500-12, PST-1500-24; and PST-2000-12, PST-2000-24.

It is used to switch ON and switch OFF the inverter from a remote location. It also displays the operational status using LCD display and colored LEDs. It is provided with 5 Metres / 16.5 Feet of connecting cable set with RJ-50 Modular Plugs (10P10C). The conductors of the cable set have crossed-over (rolled-over) connections on the two RJ-50 plugs.

SECTION 3 | LAYOUT OF CONTROLS, INDICATIONS & DIMENSIONAL DRAWING

Fig. 1 (page 4) shows the layout of controls and indications and dimensional drawing.

ON/OFF Control

ON/OFF Push Button (1) is used to switch ON and switch OFF the inverter. Every time the ON/OFF Push Button is pressed, a beep will be heard.

LCD Display

LCD screen (3) is used to display the following 6 output parameters in a sequential loop as given below.

The screen changes to show the successive parameter in a sequential manner every time the "Display Push Button" (2) is pressed (Sequence is: Screen1-2-3-4-5-6-1-2-3...)

1. AC output voltage in Volts, V
2. AC output current in Amps, A
3. AC output frequency in Hertz, Hz
4. Active AC output power in Watts, W - The display is limited to a range of 2.5W - 3500W
5. Apparent Output Power in Volt Amps, VA
6. Power Factor, PF

When the inverter is switched ON using the ON/OFF Push Button (1), the LCD screen displays information as follows:

- It takes 2 to 6 sec for booting / initialization. During this time, all the above 6 parameters will be displayed as "0"
- If the load is > 2.5W, all the above 6 parameters will be available for display after end of booting / initialization period
- If the AC output power is less than 2.5W, parameters "AC output current in A", "Active AC output power in Watts, W", "Apparent Output AC Power in Volt

Amps, VA" and "Power Factor, PF" will not be displayed (will be displayed as "0"). This is necessary because at power output < 2.5W, the noise on the output side may be comparable to the low value of the load and the logic may not be able to differentiate noise from load and hence, may display wrong values for these parameters

Power Saving / Sleep Mode in the LCD Display

To save power, the LCD display will remain ON for 3 minutes from the time the Display Push Button (2) is pressed and will then switch OFF into Sleep Mode. To wake up, press the Display Push Button (2).

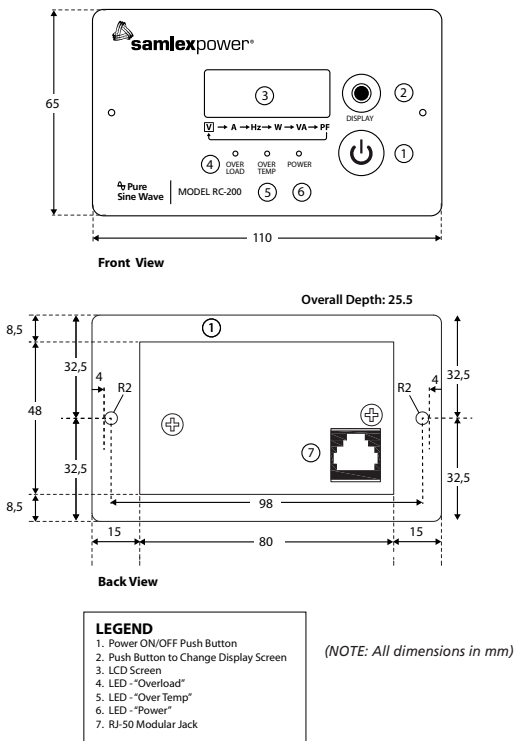


Fig. 1 Remote Control RC-200 - Layout and Dimensional Drawing

LED Display

The following LED displays are available:

- Green LED (6) marked POWER. This LED will be lighted when the inverter is in ON condition. When the inverter is in OFF condition, this LED will not be lighted. This LED shows that DC input is available to the inverter and that the input section of the inverter is operating normally
- Red LED (4) marked OVER LOAD. When lighted, it indicates that the AC output of the inverter has been shut down due to over load
- Red LED (5) marked OVER TEMP. When lighted, it indicates that the AC output of the inverter has been shut down due to over temperature

Pinout of RJ-50 Modular Jack

The pinout of the RJ-50 Modular Jack (7) at the back of the unit is given at Fig. 2 below:

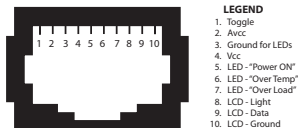


Fig. 2 Remote Control RC-200 - Pinout of Modular Jack RJ-50

The standard numbering system of the pins of a Modular Jack, when looking into the Jack, is from left to right. As the conductors of the cable are cross-connected (rolled-over), the pinouts at the Modular Jack in the inverter will be a mirror image of the pinout of the Modular Jack in the Remote Control as shown in table below:

Pinout of Modular Jack on the Remote Control ¹	Signal	Pinout of Modular Jack on the inverter ²
1	Toggle	10
2	Avcc	9
3	Ground for LEDs	8
4	Vcc	7
5	LED - "POWER ON"	6
6	LED - "OVER TEMP"	5
7	LED - "OVER LOAD"	4
8	LCD - Light	3
9	LCD - Data	2
10	LCD - Ground	1

1. As shown in Figure 2

2. Mirror image of Remote Control Jack due to crossed-over /rolled over connection of conductors.

SECTION 4 | INSTALLATION

Please refer to Fig. 1. The Remote Control can be flush mounted on a wall or a panel by making a suitable cut-out to accommodate the projection in the back.

Connect one end of the cable set to the RJ-50 Modular Jack (7) at the back and the Remote and the other end to the RJ-50 Modular Jack on the inverter. Ensure that the connection is firm and the tab on the plug securely locks in the jack.

SECTION 5 | OPERATION

Please refer to Fig 1. Please also refer to the Owner's Manual of the inverter for associated details. **NOTE: For the Remote Control to operate, the ON/OFF Switch on the inverter is required to be in ON condition to activate the control circuitry for the Remote Control. Switch on the inverter first with the help of the Power ON/OFF Switch on the inverter. The output of the inverter can now be switched OFF/ON by pressing the ON/OFF Push Button (1).**

See under headings "LCD Display" and "LED Display" above for information on the operating conditions. Read the Owner's Manual of the inverter for troubleshooting of abnormal conditions indicated by the LEDs.

No Load Current Draw

As stated above, the ON/OFF Switch on the inverter is required to be in ON condition for the Remote to operate. When the ON/OFF switch on the Remote Control is turned ON, all the circuitry inside the inverter becomes fully alive and the AC output is made available. In this condition, even when no load is being supplied (or, if a load is connected but has been switched OFF), the inverter draws a small amount of current from the batteries to keep the circuitry alive and is ready to deliver the required power on demand. This is called the "idle current" or the "no load current draw". When the inverter is turned OFF using this Remote Control, some control circuitry is still alive in the inverter and will require very small current draw. Hence, when the load is not required to be operated, turn OFF the ON/OFF Switch on the inverter to prevent unnecessary current drain from the battery.

SECTION 6 | SPECIFICATIONS

MODEL NUMBERS OF COMPATIBLE INVERTERS	PST-1500-12, PST-1500-24 PST-2000-12, PST-2000-24
CABLE SET	RJ-50 (10P10C) with crossed-over / rolled-over connections. Length = 5 metres /16.5'
OPERATING TEMPERATURE RANGE	0 to 40°C / 32°F to 104°F
DIMENSIONS (L X W X D)	110 x 65 x 24.7 mm / 4.33 x 2.56 x 0.97 in
Weight (Without cable / with cable)	85 gm / 256 gm; 0.04 lb / 0.12 lb

SECTION 7 | WARRANTY

2 YEAR LIMITED WARRANTY

RC-200 Remote Control manufactured by Samlex America, Inc. (the "Warrantor") is warranted to be free from defects in workmanship and materials under normal use and service. The warranty period is 2 years for the United States and Canada, and is in effect from the date of purchase by the user (the "Purchaser").

Warranty outside of the United States and Canada is limited to 6 months. For a warranty claim, the Purchaser should contact the place of purchase to obtain a Return Authorization Number.

The defective part or unit should be returned at the Purchaser's expense to the authorized location. A written statement describing the nature of the defect, the date of purchase, the place of purchase, and the Purchaser's name, address and telephone number should also be included.

If upon the Warrantor's examination, the defect proves to be the result of defective material or workmanship, the equipment will be repaired or replaced at the Warrantor's option without charge, and returned to the Purchaser at the Warrantor's expense. (Contiguous US and Canada only)

No refund of the purchase price will be granted to the Purchaser, unless the Warrantor is unable to remedy the defect after having a reasonable number of opportunities to do so. Warranty service shall be performed only by the Warrantor. Any attempt to remedy the defect by anyone other than the Warrantor shall render this warranty void. There shall be no warranty for defects or damages caused by faulty installation or hook-up, abuse or misuse of the equipment including exposure to excessive heat, salt or fresh water spray, or water immersion.

No other express warranty is hereby given and there are no warranties which extend beyond those described herein. This warranty is expressly in lieu of any other expressed or implied warranties, including any implied warranty of merchantability, fitness for the ordinary purposes for which such goods are used, or fitness for a particular purpose, or any other obligations on the part of the Warrantor or its employees and representatives.

There shall be no responsibility or liability whatsoever on the part of the Warrantor or its employees and representatives for injury to any persons, or damage to person or persons, or damage to property, or loss of income or profit, or any other consequential or resulting damage which may be claimed to have been incurred through the use or sale of the equipment, including any possible failure of malfunction of the equipment, or part thereof. The Warrantor assumes no liability for incidental or consequential damages of any kind.

Contact Information

Toll Free Numbers

Ph: 1 800 561 5885

Fax: 1 888 814 5210

Local Numbers

Ph: 604 525 3836

Fax: 604 525 5221

Website

www.samlexamerica.com

USA Shipping Warehouses

Kent, WA

Plymouth, MI

Canadian Shipping Warehouse

Delta, BC

Email purchase orders to
orders@samlexamerica.com



samlexamerica®