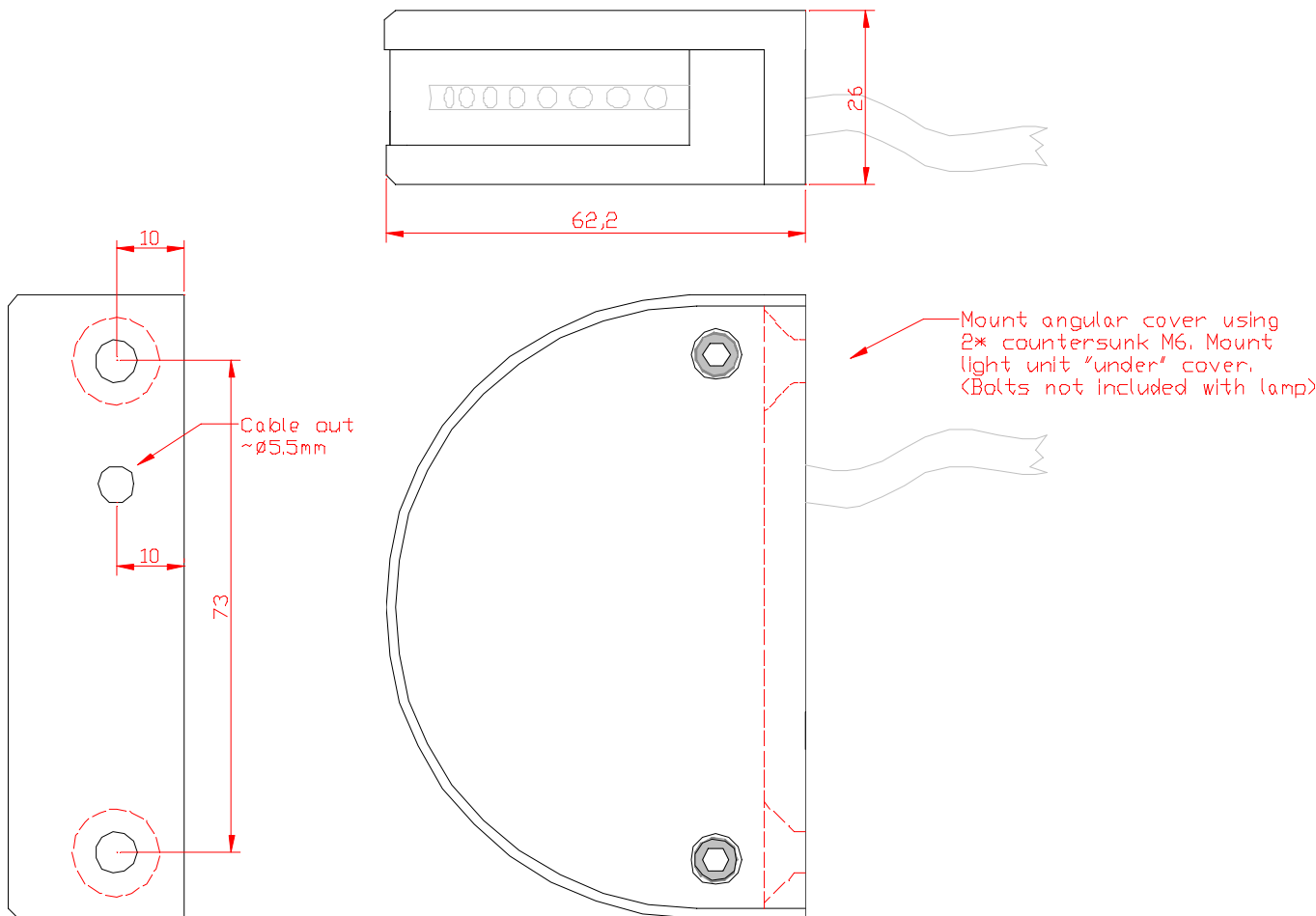


Dear Customer,

Thank you for purchasing Lopolight's unique navigation lights.
The Lopolight products are covered by a 5-year limited warranty.
Read more about Lopolight at www.lopolight.com.

Mounting (These lights can only be mounted on a vertical surface):



To mount the light use the supplied grey thick plastic piece.

Peel off the backing tape and glue the piece at the exact location you want the light to be mounted.
Drill holes for mounting and cable exit according to the markings on the plastic piece; please make sure that you drill only the holes needed for your light.
Leave the grey/black plastic piece in place and mount the light on this. The plastic piece will now serve as a corrosion barrier.

Connect the power cable to your onboard system. The black lead is the ground, the red lead marked is the positive (+).
Make sure polarity is correct - Your Lopolight LED nav-light will only function if the polarity is correct. (you will not damage the Lopolight by accidentally wiring the polarity wrong – it will just not work)
All Lopolight products accept any DC voltage between 10 and 32 Volt.
The navigations light should not be grounded.

Please do NOT use alcohol for cleaning your Lopolight – this could damage the lens.

Troubleshooting

If the light does not function:

- Check that you have a voltage between 10 and 32 volts.
- Check that the polarity is right.

End of life signalling:

Your Lopolight product has a microprocessor inside that ensures that the light has the same intensity over its 50.000 hour lifetime. The light will signal to you when it is getting to the end of its useful life.

The following signals can be seen:

All OK: 5 seconds after turning on the light it will go dark for 0,1 second and turn on again. This is just a check for you to assure that the microprocessor is working.

Less than 2000 working hours left: The dark period is extended to **2 seconds**: You should change the light at your next service within the next 12 months.

Light expired: The dark period is extended to **5 seconds**: You should change the light immediately.

Type approval:

The light in this package comply with the following standards: EN-14744, UL-1104, Colreg-72, IEC 60945

The light in this package is recognized by the following major national maritime authorities:

- MCA (UK), QQ-MED-15/09-03
- MCA (UK), QQ-MED-15/09-02
- MCA (UK), QQ-MED-15/09-01
- USCG (USA), approved 09-2005 under 111.075 by recognized laboratory QinetiQ