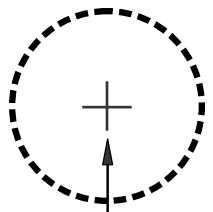


TAPE
HERE

Scale 1:1 (If in doubt ask)
Unit Diameter: 7" (178mm)

FOR CENTER WIRE HOLE USE THE FOLLOWING:

- 1st - DRILL PILOT HOLE AT CENTER FOR THE WIRE.
- 2nd - USE 1" DRILL ALL THE WAY THROUGH.



1" Drill Bit

3-1/2" (89 mm) from edge to center hole

TAPE
HERE

TAPE
HERE

SCY-40™
Typical Power Requirements
16 Amps@12v / 8 Amps@24v

PLEASE READ INSTRUCTIONS INSIDE TEMPLATE

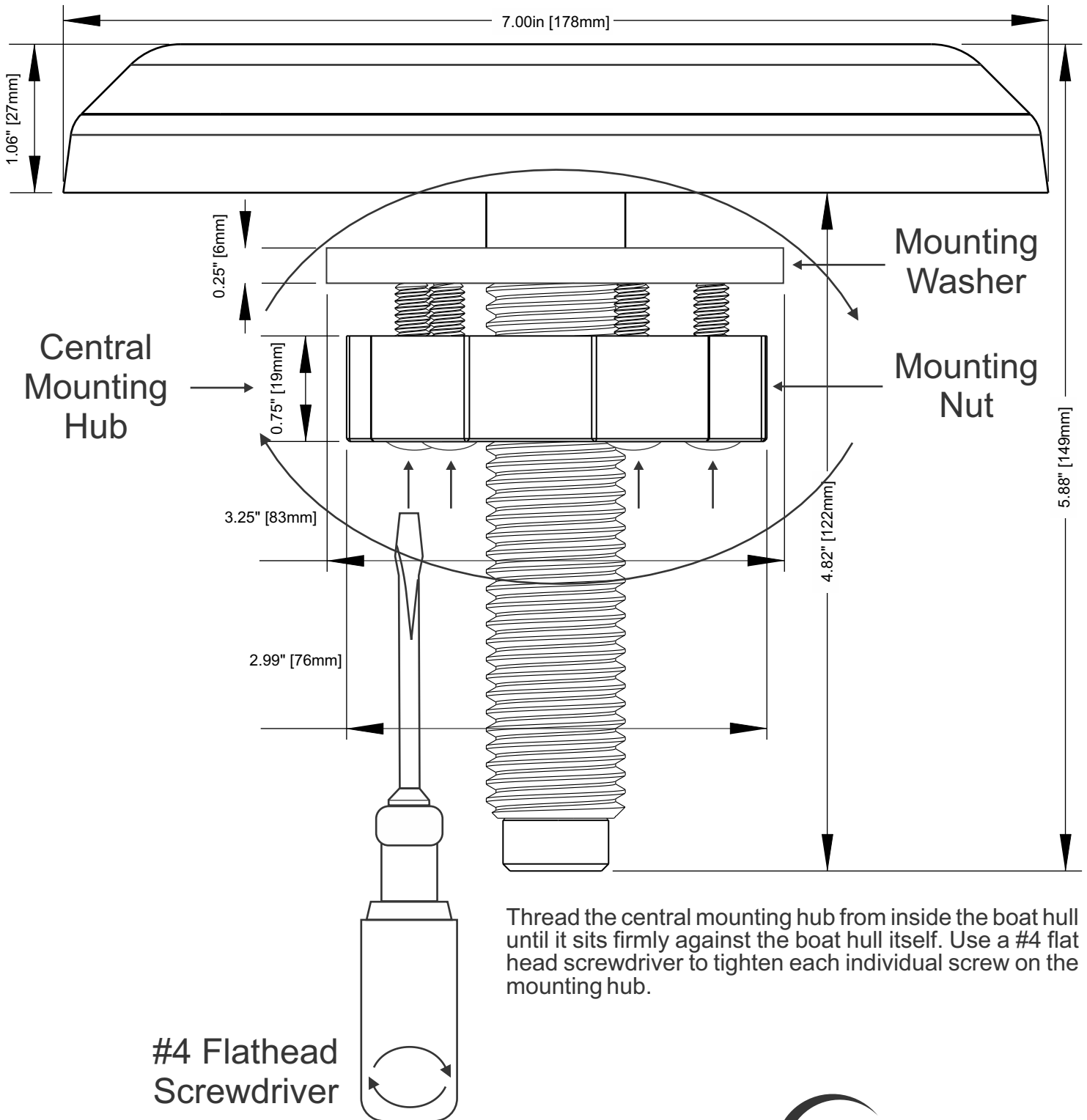
OPTIONAL
CUT PATH



 THERE ARE
NO
SCREW HOLES
NEEDED



Shadow-Caster™ LED Lighting, LLC
 1237 Lady Marion Lane, Dunedin, FL USA
 Tel (727) 474-2877 / Fax (727) 342-7304
 Email: info@shadow-caster.com



Thread the central mounting hub from inside the boat hull until it sits firmly against the boat hull itself. Use a #4 flat head screwdriver to tighten each individual screw on the mounting hub.

